

Brief Description

The ZSSC5101 is a CMOS integrated circuit for converting sine and cosine signals obtained from magnetoresistive bridge sensors into a ratiometric analog voltage with a user-programmable range of travel and clamping levels.

The ZSSC5101 accepts sensor bridge arrangements for both rotational as well as linear movement. Depending on the type of sensor bridge, a full-scale travel range of up to 360 mechanical degrees can be obtained.

Programming of the device is performed through the output pin, allowing in-line programming of fully assembled 3-wire sensors. Programming parameters are stored in an EEPROM and can be re-programmed multiple times.

The ZSSC5101 is fully automotive-qualified with an ambient temperature range up to 160°C.

Features

- Ratiometric analog output
- Up to 4608 analog steps
- Step size as small as 0.022°
- Programming through output pin via one-wire interface
- Offset calibration of the bridge input signals
- Programmable linear transfer characteristic:
 - Zero position
 - Angular range
 - Upper and lower clamping levels
 - Rising or falling slope
- Loss of magnet indication with programmable threshold level
- Accepts anisotropic, giant, and tunnel magnetoresistive bridge sensors (AMR, GMR and TMR)
- Programmable 32-bit user ID
- CRC, error detection, and error correction on EEPROM data
- Diagnostics: broken-wire detection
- Automotive-qualified to AEC-Q100, grade 0

Benefits

- No external trimming components required
- PC-controlled configuration and single-pass calibration via one-wire interface allows programming of fully assembled sensors
- Can be used with low-cost ferrite magnets
- Allows large air gaps between sensors and magnets
- Optimized for automotive environments with extended temperature range and special protection circuitry with excellent electro-magnetic compatibility
- Power supply monitoring
- Sensor monitoring
- Detection of EEPROM memory failure
- Connection failure management
- High accuracy: $\pm 0.15^\circ$ integral nonlinearity (INL) after calibration

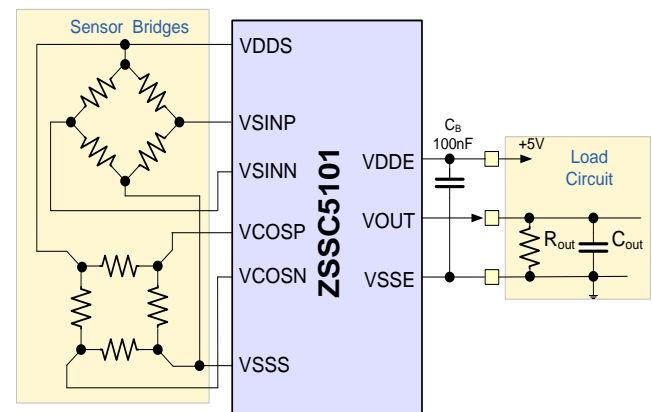
Available Support

- Evaluation Kit
- Application Notes

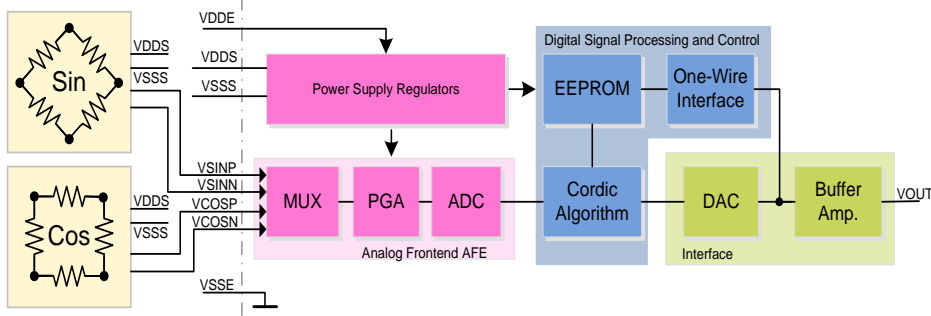
Physical Characteristics

- Wide operation temperature: -40 C to +160 C (die)
- Supply voltage: 4.5V to 5.5V
- SSOP-14 package, bare die, or unsawn wafer

ZSSC5101 Typical Application Circuit



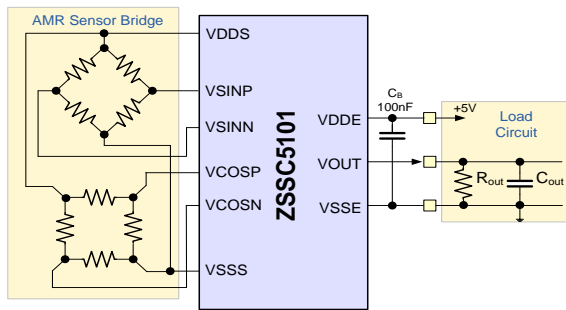
ZSSC5101 Block Diagram



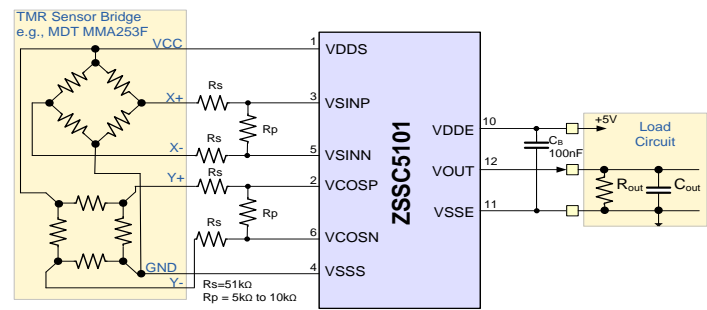
Applications

- Absolute Rotary Position Sensor
- Steering Wheel Position Sensor
- Pedal Position Sensor
- Throttle Position Sensor
- Float-Level Sensor
- Ride Height Position Sensor
- Non-Contacting Potentiometer
- Rotary Dial

Application Circuit for AMR Sensors



Application Circuit for TMR Sensors



Ordering Information

Sales Code	Description	Delivery Package
ZSSC5101BE1B	ZSSC5101 Die – Temperature range: -40°C to +160°C	8" tested wafer, unsawn, thickness = 390 ±15μm
ZSSC5101BE2B	ZSSC5101 Die – Temperature range: -40°C to +160°C	8" tested wafer, unsawn, thickness = 725 ±15μm
ZSSC5101BE3B	ZSSC5101 Die – Temperature range: -40°C to +160°C	8" tested wafer, unsawn, thickness = 250 ±15μm
ZSSC5101BE1C	ZSSC5101 Die – Temperature range: -40°C to +160°C	8" tested wafer, sawn on frame, thickness = 390 ±15μm
ZSSC5101BE4R	ZSSC5101 SSOP-14 – Temperature range: -40°C to +150°C	13" tape and reel
ZSSC5101BE4T	ZSSC5101 SSOP-14 – Temperature range: -40°C to +150°C	Tube
ZSSC5101 KIT	Evaluation Kit: USB Communication Board, ZSSC5101 AMR board, adapters. Software is downloaded (see data sheet).	

IMPORTANT NOTICE AND DISCLAIMER

RENESAS ELECTRONICS CORPORATION AND ITS SUBSIDIARIES (“RENESAS”) PROVIDES TECHNICAL SPECIFICATIONS AND RELIABILITY DATA (INCLUDING DATASHEETS), DESIGN RESOURCES (INCLUDING REFERENCE DESIGNS), APPLICATION OR OTHER DESIGN ADVICE, WEB TOOLS, SAFETY INFORMATION, AND OTHER RESOURCES “AS IS” AND WITH ALL FAULTS, AND DISCLAIMS ALL WARRANTIES, EXPRESS OR IMPLIED, INCLUDING, WITHOUT LIMITATION, ANY IMPLIED WARRANTIES OF MERCHANTABILITY, FITNESS FOR A PARTICULAR PURPOSE, OR NON-INFRINGEMENT OF THIRD-PARTY INTELLECTUAL PROPERTY RIGHTS.

These resources are intended for developers who are designing with Renesas products. You are solely responsible for (1) selecting the appropriate products for your application, (2) designing, validating, and testing your application, and (3) ensuring your application meets applicable standards, and any other safety, security, or other requirements. These resources are subject to change without notice. Renesas grants you permission to use these resources only to develop an application that uses Renesas products. Other reproduction or use of these resources is strictly prohibited. No license is granted to any other Renesas intellectual property or to any third-party intellectual property. Renesas disclaims responsibility for, and you will fully indemnify Renesas and its representatives against, any claims, damages, costs, losses, or liabilities arising from your use of these resources. Renesas' products are provided only subject to Renesas' Terms and Conditions of Sale or other applicable terms agreed to in writing. No use of any Renesas resources expands or otherwise alters any applicable warranties or warranty disclaimers for these products.

(Disclaimer Rev.1.01 Jan 2024)

Corporate Headquarters

TOYOSU FORESIA, 3-2-24 Toyosu,
Koto-ku, Tokyo 135-0061, Japan
www.renesas.com

Trademarks

Renesas and the Renesas logo are trademarks of Renesas Electronics Corporation. All trademarks and registered trademarks are the property of their respective owners.

Contact Information

For further information on a product, technology, the most up-to-date version of a document, or your nearest sales office, please visit www.renesas.com/contact-us/.