

[Upgrade to Revision]

R20TS0861EJ0100

Solution Toolkit

Rev.1.00

Jul. 16, 2022

QE for Motor[RA] V1.1.0:

Development Assistance Tool for Motor

Outline

QE for Motor, a development assistance tool for motor, has been updated from V1.0.0 to V1.1.0.

1. Description

For details of the update and how to install the product, refer to the release note at the link below.

- QE for Motor[RA] V1.1.0 Release Note

<https://www.renesas.com/document/rln/qe-motor-v110-release-note>

The main changes are as follows.

1.1 Addition of Supported Devices

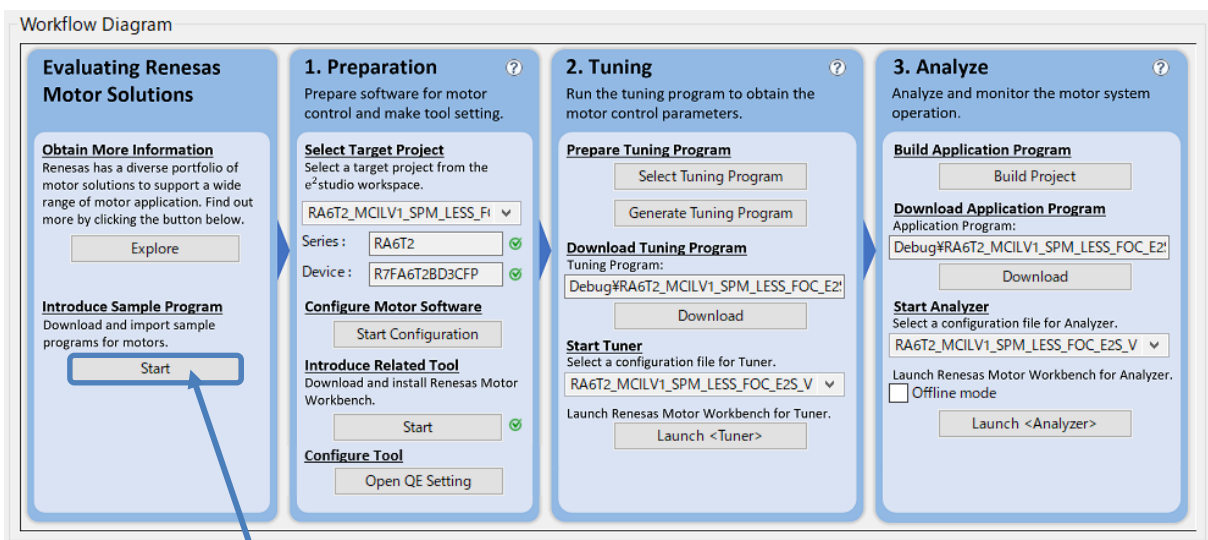
- QE for Motor[RA] V1.1.0 now supports the RA6T1 group devices.

The features available in the RA6T1 group are the same as those of the RA6T2 group.

1.2 Improved Functionality

- Added the support feature for importing sample projects

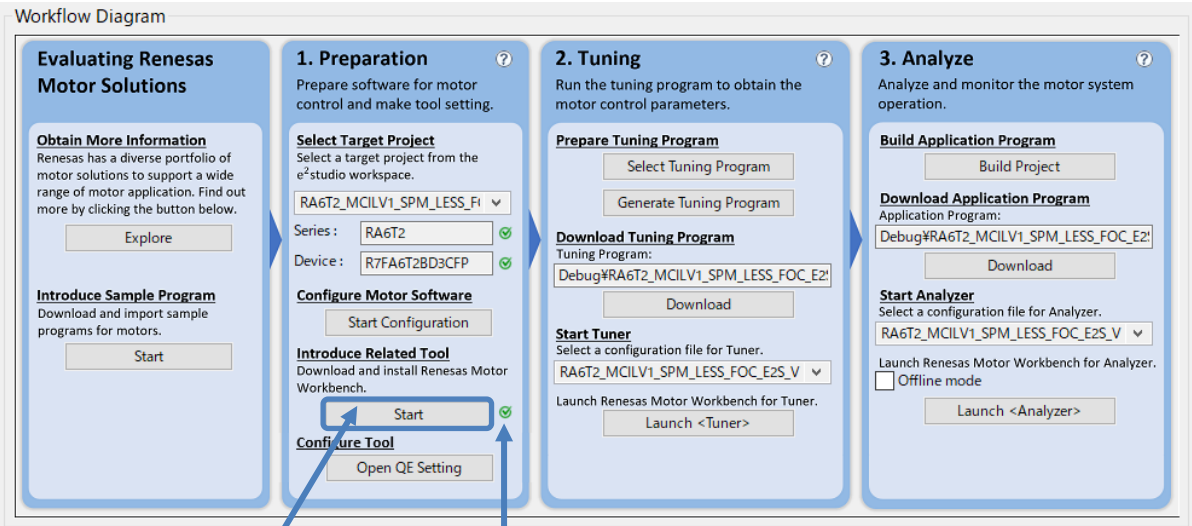
Sample programs can now be downloaded and imported by clicking the [Start] button in the Workflow Diagram.



Start button

- Added the support feature for Renesas Motor Workbench installation

It is now possible to see the installation status of Renesas Motor Workbench on the currently used PC from the icon in the Workflow Diagram. If Renesas Motor Workbench or the latest version is not installed, the latest version can now be installed by clicking the [Start] button.



Start button

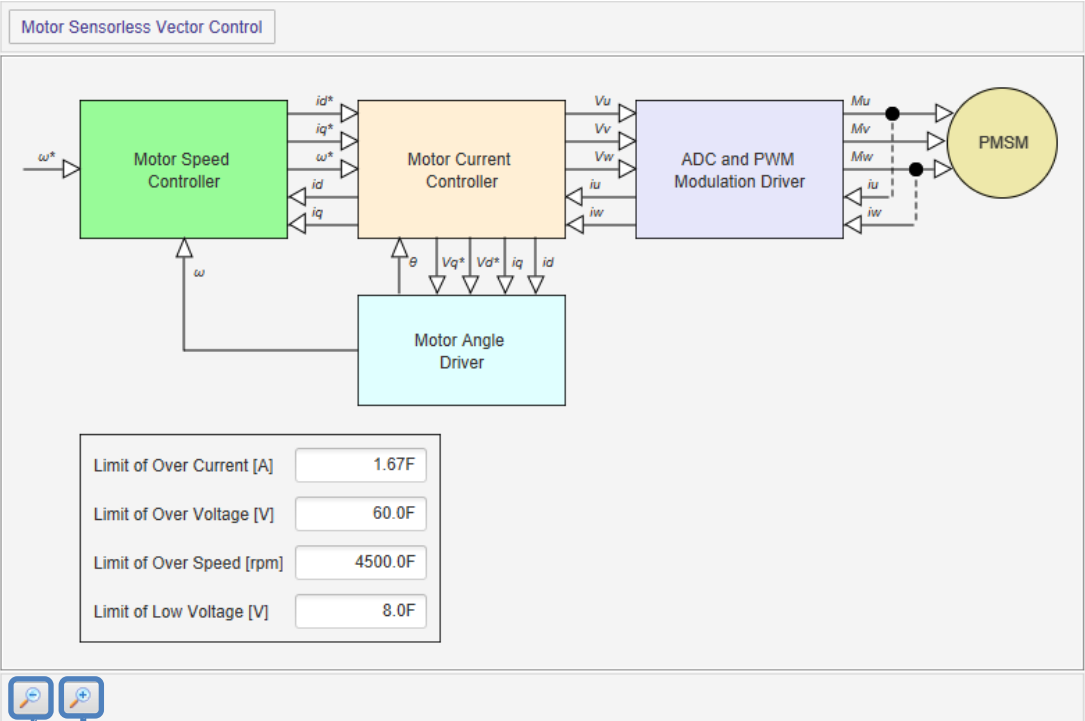
Version check result of Renesas Motor Workbench ("RMW")

- ✔ : The latest version of RMW is installed.
- ⚠ : RMW is not installed or an old version is installed.

The icon tooltip shows details.

- Added the zoom-in and zoom-out feature in the motor configuration GUI

It is now possible to zoom in and out the property setup block diagram of the motor middleware FSP displayed in the FSP Visualization window.



Zoom in button

Zoom out button

2. Supported Software

Middleware for motor

- RA Flexible Software Package (FSP)
 - Motor Sensorless Vector Control: rm_motor_sensorless V3.5.0 (or later)
 - Motor Encoder Vector Control : rm_motor_encoder V3.5.0 (or later)
 - 120-degree control: rm_motor_120_degree V3.5.0 (or later)

3. Operating Environment

- Renesas e² studio 2022-04 (or later)
 - ※ If you are using a version of e² studio earlier than 2022-04, update it to 2022-04 or later.
- Renesas Motor Workbench V3.0.0 (or later)
 - ※ If you are using a version of Renesas Motor Workbench earlier than V3.0.0, update it to V3.0.0 or later.

4. Obtaining the Product

Download the installer for QE for Motor V1.1.0 from the following URL:

<https://www.renesas.com/software-tool/qe-motor-development-assistance-tool-motor-applications#tab-release-information>

Revision History

Rev.	Date	Description	
		Page	Summary
1.00	Jul.16.22	-	First edition issued

Renesas Electronics has used reasonable care in preparing the information included in this document, but Renesas Electronics does not warrant that such information is error free. Renesas Electronics assumes no liability whatsoever for any damages incurred by you resulting from errors in or omissions from the information included herein.

The past news contents have been based on information at the time of publication. Now changed or invalid information may be included.

The URLs in the Tool News also may be subject to change or become invalid without prior notice.

Corporate Headquarters

TOYOSU FORESIA, 3-2-24 Toyosu,
Koto-ku, Tokyo 135-0061, Japan
www.renesas.com

Contact Information

For further information on a product, technology, the most up-to-date version of a document, or your nearest sales office, please visit:
www.renesas.com/contact/

Trademarks

Renesas and the Renesas logo are trademarks of Renesas Electronics Corporation. All trademarks and registered trademarks are the property of their respective owners.