

## Interfacing a 5V RS-485 Transceiver to a 3V Microcontroller

Long-distance RS-485 networks often use 5V transceivers because of their large differential output voltages of up to  $\pm 3V$ . This voltage is twice the required minimum of  $\pm 1.5V$  specified in the RS-485 standard. Large-output voltage drives have multiple benefits, such as

- Providing high immunity against external noise
- Allowing for a large number of transceivers to be connected to the same bus
- Overcoming the signal loss of long-distance cables to provide crisp signals to remote receivers

Modern bus node designs, however, often use 3V-powered local controllers, whose logic levels might only sometimes be compatible with the bus transceiver. While the logic inputs of most 5V transceivers accept the logic output levels of 3V controllers, the receiver output of a 5V transceiver often exceeds the Absolute Maximum Ratings of 3V controllers.

To level-shift the receiver output (RO) of a 5V transceiver into the general purpose input (here denoted as RxD) of a 3V controller, Figure 1 provides a simple solution with just a Schottky diode and a pull-up resistor to the 3.3V controller supply.

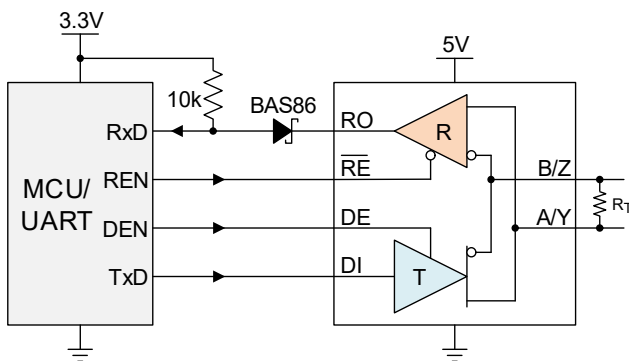


Figure 1. Interfacing a 5V Receiver Output to 3V MCU Input

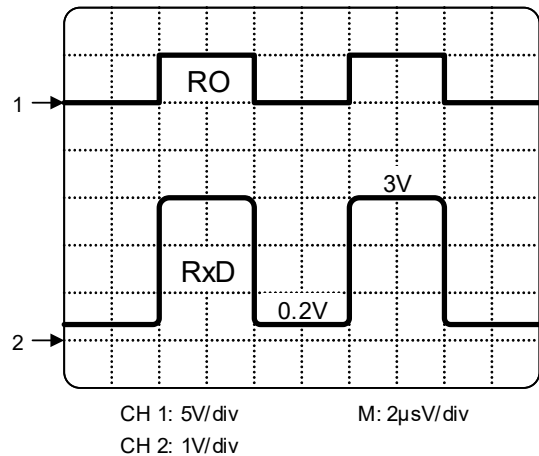


Figure 2. Timing of the RO-to-RxD Connection

When RO is high, the diode is reverse-biased, blocking any current flow from the receiver. In this case, the RxD input receives a logic high from the 3.3V supply using the 10k pull-up resistor.

When RO is low, the diode is forward-biased to ground. In this case, the RxD input receives a logic low that equals the diode forward voltage ( $V_{FW}$ ). Depending on the value of the pull-up resistor,  $V_{FW}$  can be as high as 0.4V for a 1k resistor or 0.2V for a 10k resistor.

Use a low capacitance diode, such as BAS86 or BAS70, to avoid large switching transients at the RxD input. This solution works fine up to a few hundred kbps before signal edges become seriously round. But then again, most long-distance networks only operate in the 10 to 20kbps range.

### Revision History

Revision	Date	Description
1.00	Oct 26, 2023	Initial release.

## IMPORTANT NOTICE AND DISCLAIMER

RENESAS ELECTRONICS CORPORATION AND ITS SUBSIDIARIES (“RENESAS”) PROVIDES TECHNICAL SPECIFICATIONS AND RELIABILITY DATA (INCLUDING DATASHEETS), DESIGN RESOURCES (INCLUDING REFERENCE DESIGNS), APPLICATION OR OTHER DESIGN ADVICE, WEB TOOLS, SAFETY INFORMATION, AND OTHER RESOURCES “AS IS” AND WITH ALL FAULTS, AND DISCLAIMS ALL WARRANTIES, EXPRESS OR IMPLIED, INCLUDING, WITHOUT LIMITATION, ANY IMPLIED WARRANTIES OF MERCHANTABILITY, FITNESS FOR A PARTICULAR PURPOSE, OR NON-INFRINGEMENT OF THIRD PARTY INTELLECTUAL PROPERTY RIGHTS.

These resources are intended for developers skilled in the art designing with Renesas products. You are solely responsible for (1) selecting the appropriate products for your application, (2) designing, validating, and testing your application, and (3) ensuring your application meets applicable standards, and any other safety, security, or other requirements. These resources are subject to change without notice. Renesas grants you permission to use these resources only for development of an application that uses Renesas products. Other reproduction or use of these resources is strictly prohibited. No license is granted to any other Renesas intellectual property or to any third party intellectual property. Renesas disclaims responsibility for, and you will fully indemnify Renesas and its representatives against, any claims, damages, costs, losses, or liabilities arising out of your use of these resources. Renesas' products are provided only subject to Renesas' Terms and Conditions of Sale or other applicable terms agreed to in writing. No use of any Renesas resources expands or otherwise alters any applicable warranties or warranty disclaimers for these products.

(Disclaimer Rev.1.0 Mar 2020)

### Corporate Headquarters

TOYOSU FORESIA, 3-2-24 Toyosu,  
Koto-ku, Tokyo 135-0061, Japan  
[www.renesas.com](http://www.renesas.com)

### Contact Information

For further information on a product, technology, the most up-to-date version of a document, or your nearest sales office, please visit:  
[www.renesas.com/contact/](http://www.renesas.com/contact/)

### Trademarks

Renesas and the Renesas logo are trademarks of Renesas Electronics Corporation. All trademarks and registered trademarks are the property of their respective owners.