

Contents

(Click on any of the headings below to jump to that section)

| | |
|---|-----------|
| Using the Reference Layout | 2 |
| Importing the Reference Layout | 2 |
| Connecting a Power Source | 3 |
| Connecting Inputs / Outputs | 3 |
| Manufacturing Notes | 3 |
| Additional Resources | 3 |
| Custom Layout Guidelines | 4 |
| Layout Priority Checklist | 4 |
| Power Circuits | 5 |
| Input Capacitors | 7 |
| BST and ZVS Capacitors | 9 |
| EPAD | 11 |
| Noise-sensitive Circuits | 12 |
| Non-sensitive Circuits | 13 |
| PCB Footprint Design | 13 |
| Thermal Performance | 14 |

Using the Reference Layout

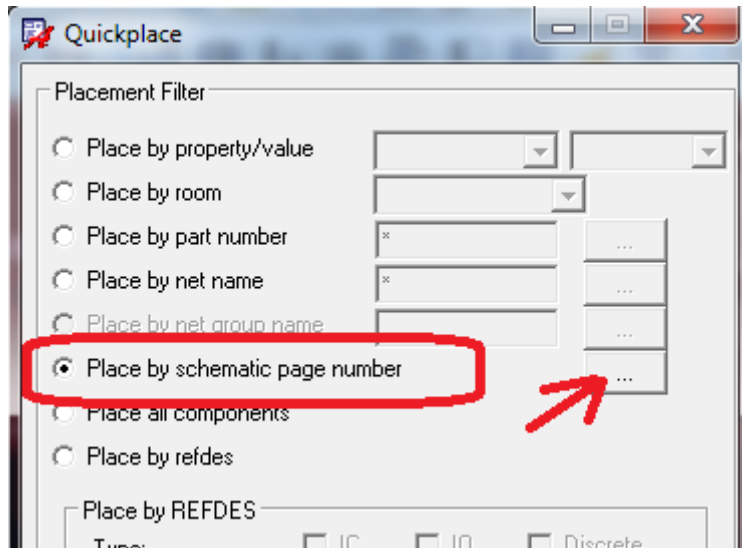
The P9038-R-EVK reference layout is a simplified two-layer design optimized for high-performance, small-size, and ease-of-use. Its purpose is to minimize design-in effort and risk by providing a proven solution that can be imported into an existing system design. When circumstances permit, it is highly recommended to copy the reference layout. This will accelerate design time to market at final product level.

Importing the Reference Layout

The P9038-R-EVK reference design was created using Cadence PCB design software. This software has been used to generate layout modules which can be rapidly deployed onto PCB designs using Cadence OrCAD CIS and Cadence Allegro PCB Editor. The P9038 Allegro layout module is labeled P9038-R-EVK.mdd and can be downloaded at www.idt.com/P9038-R-EVK. It will load into an existing or new PCB design file by following these instructions:

1. Use or copy the P9038-R-EVK schematic file (.dsn) and export the netlist to a PCB file.
2. Move the file P9038-R-EVK.mdd to the same directory as the PCB design file.
3. Import the netlist into the PCB file (.brd).
4. Open the PCB design file (.brd) and click on the menu Place→Quickplace...
 - a. Select Place by Page Number and select the page the P9038 circuitry resides on.

Figure 1. Cadence Quickplace Option Box used for Placing the IDT Layout Module by Page Number



- b. Click Place. Click Ok.
5. Select the parts that were placed from the schematic that matches the schematic used from the P9038-R-EVK.
 - a. In the Find Filter, select Symbols, then left click and drag to highlight all of the components that were just placed.
 - b. Right click on any of the highlighted parts and select "Place Replicate Apply→Browse..."
 - c. Select the P9038-R-EVK.mdd file and select Ok.
 - d. Components should be matched. If unmatched, manually identify and match component reference designators based on schematic location.
6. Enter the coordinates (x,y location) in the command window where the P9038 circuit should be placed.

Connecting a Power Source

The USB input connector accepts micro-USB cables type A or B. If a new design does not need this connector, simply extend the VIN power trace and GND as needed to the location the new power connector will be placed at. If moving the power connector is necessary, it is suggested to keep a solid GND plane leading to the new connector location and route VIN at a width that is at least 100 mils wide as space permits.

Connecting Inputs / Outputs

All input and outputs on the reference board have been placed near the edges of the reference layout such that they can be easily connected to other parts of the system board. After placing the module in the specific design, use the labeled vias as connection points for new traces on either the top or bottom layer.

Manufacturing Notes

PCB should be made with a minimum of 1oz copper foil weight per square foot or heavier.

Additional Resources

All support files and collateral for the P9038-R-EVK reference board can be found at <http://www.idt.com/P9038-R-EVK>. Files include: schematics, layout files, datasheets, user guides, etc.

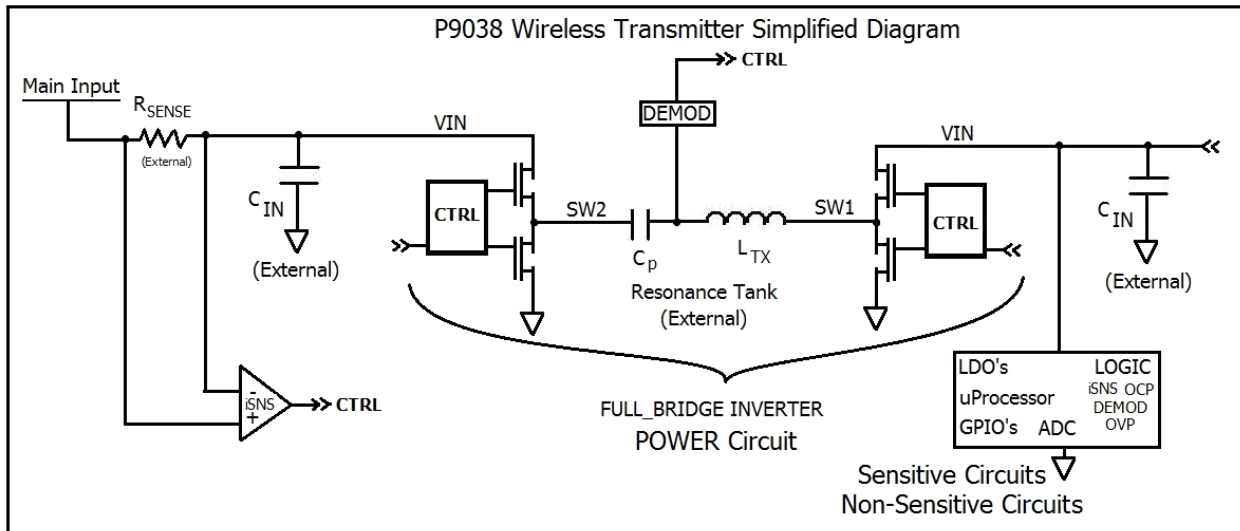
Custom Layout Guidelines

The P9038 wireless power transmitter is an integrated device consisting of a high power full-bridge inverter designed to drive wireless LC resonance circuits and transmit power to WPC compliant wireless receivers. In addition to wireless power transfer, there are noise sensitive circuits, General Purpose I/O's (GPIO's) and two low power linear regulators. When designing the printed circuit board (PCB) there are multiple considerations and often some trade-offs associated with managing the critical current paths. In order to optimize the design, components should be placed based on circuit function to guarantee best performance when the schematic is implemented into a PCB design. Furthermore, the thermal management of the application is important to the product's performance and should be optimized during PCB design. By following the guidelines set forth in this document, efficient operation will be obtained for each circuit function.

Layout Priority Checklist

1. Place the Input capacitors and use short, wide connections from IN to PGND (target < 250mils long, \geq 50 mils wide).
2. Route SW1 and SW2 wide and short (use 6 – 10 vias for layer transitions) (target < 250mils long, \geq 50 mils wide).
3. Use wide planes (up to 2A) to route from the power connector to the RSENSE & IN and PGND connections.
4. Use sense (Kelvin) connections to connect to the current sense resistor RSENSE. See [Figure 9](#).
5. Create wide continuous connections to the EPAD on bottom or internal PCB layer(s) (at least two 200 to 400 mil wide channels should be directly connected to the EPAD and uninterrupted by traces for at least 1" leading away from the IC). Use 25 thermal vias in the EPAD.
6. Place LDO capacitors as close as possible to the P9038.
7. Place Vsns Diode near LC and use 10 mils+ air gap separation from the cathode to the first filter resistor.
8. Place HPF capacitor near the P9038 and shield from switching side with shield resistor.

Figure 2. P9038 Simplified Diagram



BST1/2 connections are routed on the top layer and wrap around the PGND connections which each have multiple vias for the layer transition. Finally, the GND plane on the right side of the slot is adequately wide (similar width to VIN) in order to carry the RMS input current back to the power supply with minimal voltage drop along its length.

Figure 4. P9038 Full-Bridge Inverter, Current Sense Resistor, and Resonance Tank Schematic.

Note: not all pins are shown in the figure, refer to the P9038 datasheet Pin Description for the complete list of pins and recommended connections)

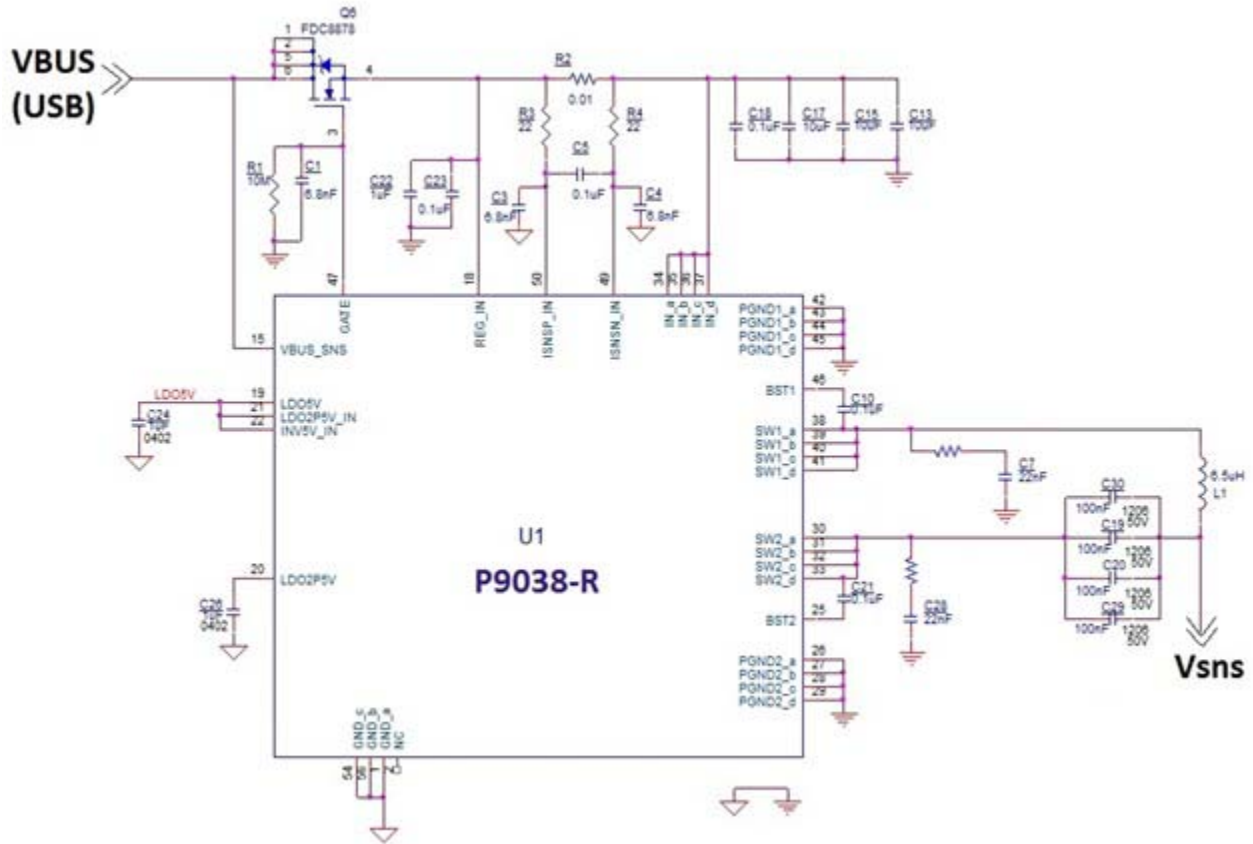
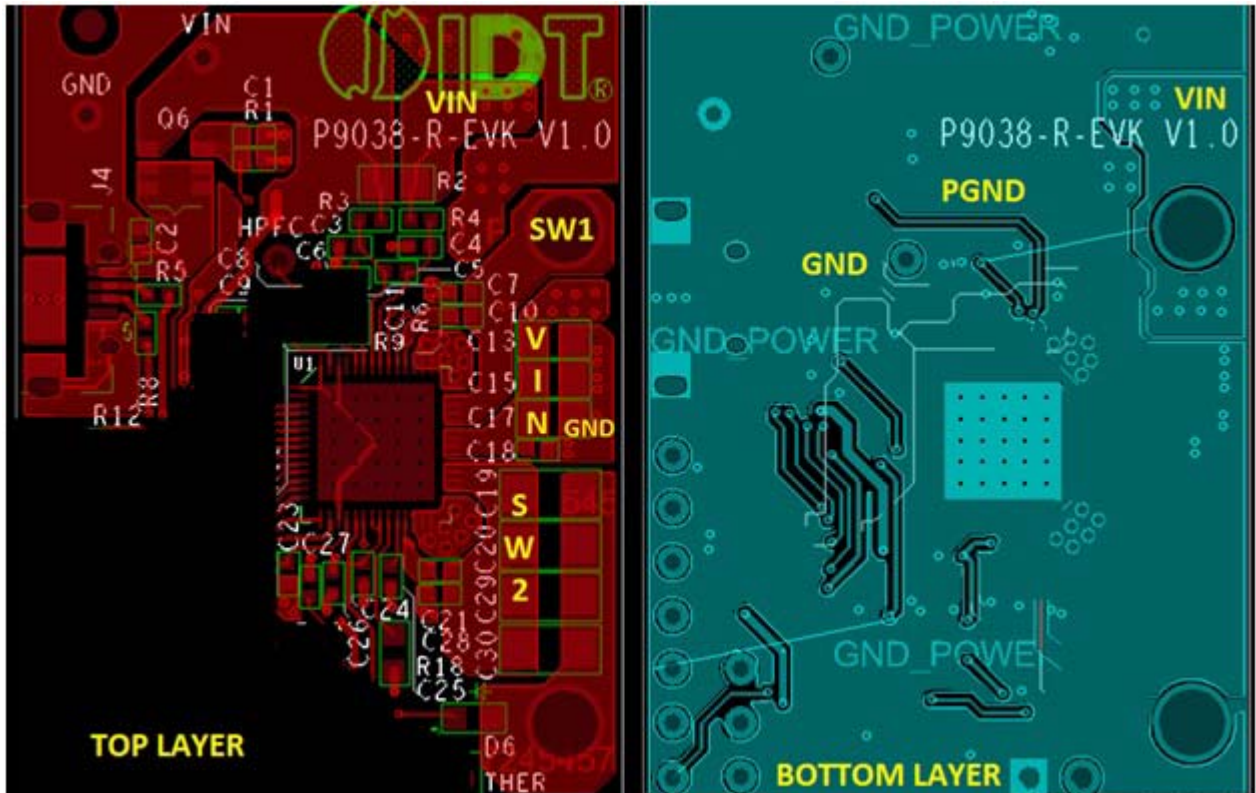


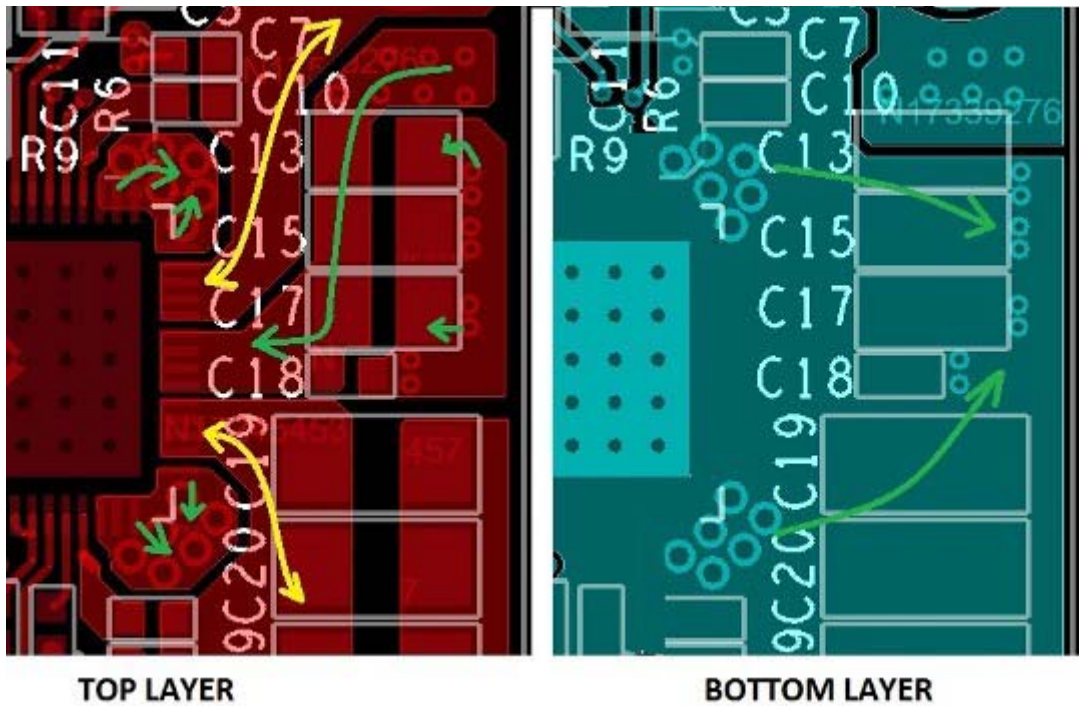
Figure 5. P9038 2-Layer Layout Main Input Power Example for Routing VIN on Top Layer to Input Capacitors



Input Capacitors

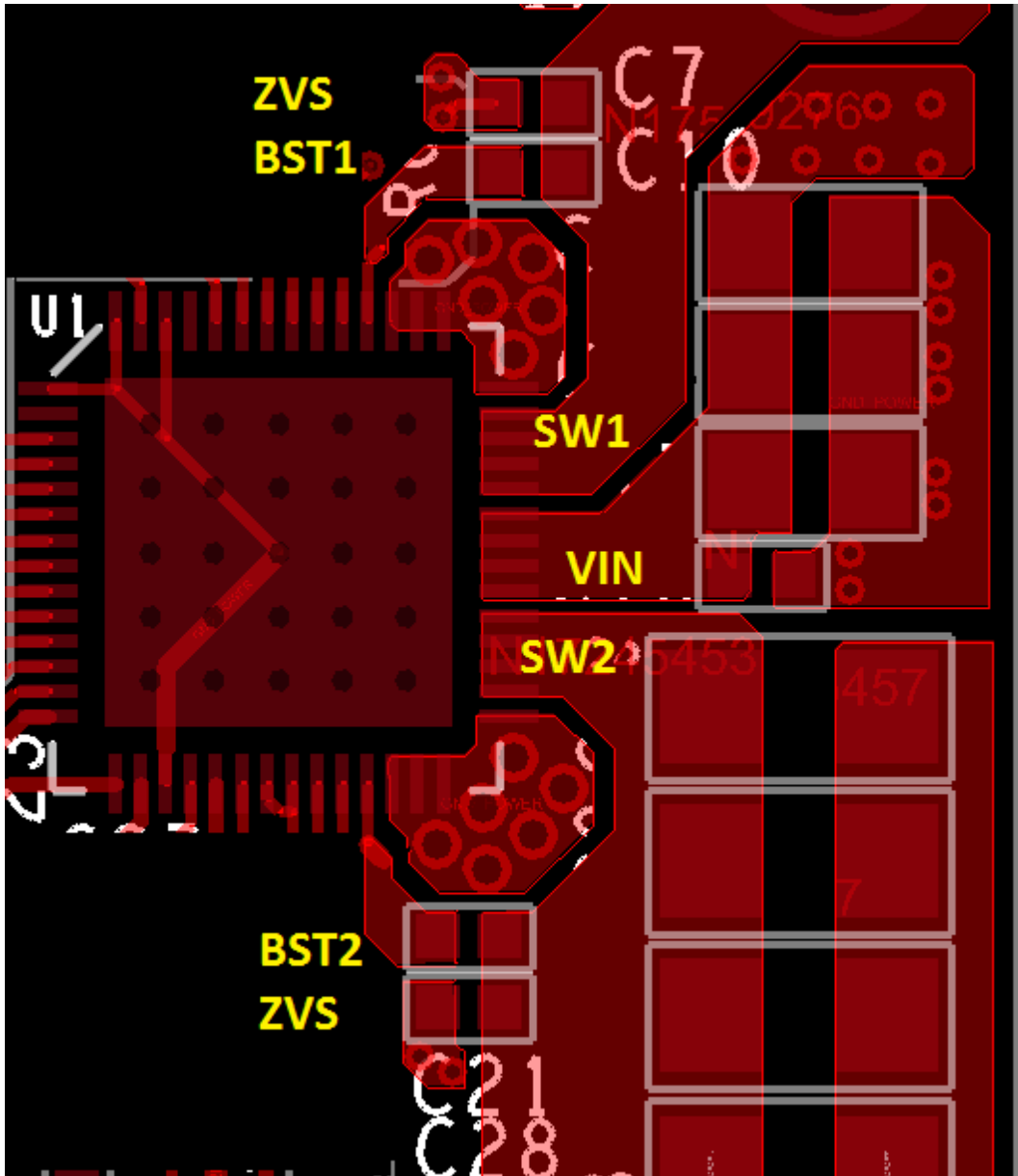
The input capacitors are labeled C13, C15, C17, and C18. Due to the high currents they supply to power the LC resonance tank and the relatively fast slew rates at the SW1 and SW2 nodes, the connections to the input capacitors must be short and wide (at least as wide as the four adjacent VIN/SW1/SW2 pins). The ideal placement of the input capacitors is to have them as close as possible to the P9038 device and symmetrically placed so that the wiring and connections are matched relative to the IN_x pins (QFN pins 34, 35, 36, 37) and the PGND1 & PGND2 pins (QFN pins 42, 43, 44, 45 & 26, 27, 28, 29). Capacitors with Class II dielectrics (such as X5R) are required and the effective capacitance should be greater than 10 μ F at 5VDC bias (see DC Bias curve of capacitor under consideration). For designs that require less than 2.5W maximum power delivering, the effective capacitance may be reduced to 6 μ F at 5VDC. To avoid uncertainty in component selection, it is recommended to use the components listed in the reference board bill-of-materials.

Figure 6. P9038 2-Layer Layout Critical VIN to SW1/SW2 Current Paths from Input Capacitors



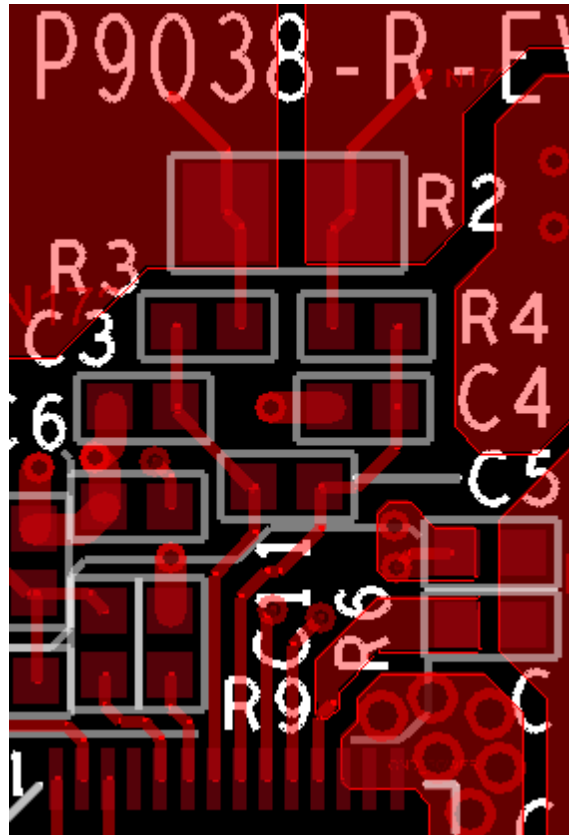
It should be noted that the 0.1 μ F capacitor C18 is located the closest to the P9038 device because the lower capacitance and ESL of the smaller package allow it to filter higher frequencies more effectively than physically larger components. Since these are the highest priority signals to filter, it is imperative that the impedance from this component to IN and PGND is minimized. Next, the three bulk capacitors C13, C15, and C17 are placed next to C18 and kept close to the device as well. The purpose of this placement orientation is to stabilize the input during switching and to minimize the loop area of the current paths (green arrows in Figure 6). Minimizing trace lengths will promote lower lead inductance which will result in less GND bounce induced by the switching voltages and currents during operation. If the PGND/IN/SW connections change layers, each transition should be made using at least 5 – 8 vias.

Figure 8. Image of BST1, BST2 and ZVS Components for P9038 QFN (VFQFPN) Layout



Next, the current sense resistor and the associated filters are crucial for Foreign Object Detection (FOD) accuracy, as they impact the input power calculations. The P9038 calculates the input power using the voltage on the IN pins and the current detected as a voltage drop across the sense resistor (R2). Since the signal sensed across this resistor will be 20 mV or below, signal integrity is important for proper operation. Best practice will follow the guidance in the following image and the length of these connections will be minimized. The current sense resistor should be placed in close proximity to the P9038 device for best results. Notice how the voltage drop (+,-) across R2 is Kelvin sensed by filter resistors R3 and R4. This is done to improve accuracy of the input current measurements needed for FOD. The GND connection for C4 and C3 should be located on the EPAD GND side of the GND slot.

Figure 9. Kelvin Connections to Rsns (R40)



The Input power connections and traces should be routed with adequate width to conduct up to 2 A of DC current with minimal voltage losses. When using the USB and N-CH FET, a device with an acceptable and minimal RDSON specification should be selected.

The High Current Power GND will carry the DC input current up to ~ 1.7 A, including the input ripple current at the power transfer frequency. As a result, it may be prone to varying voltage drops depending on the Rx load and is not recommended to be common to sensitive GND for DEMOD signals. The Noisy PGND area will have high current switching and rapid voltage changes induced from the full bridge inverter switching, this area is not suitable to be used for GND reference. The DEMOD circuits GND connections should be made away from the PGND pins and have a separate current return path to the EPAD from the input capacitors and the PGND pins.

Next, the LDO input capacitors need to be placed in close proximity to the P9038 device. The P9038 has two Low Drop-Out (LDO) linear voltage regulators: LDO5V (Pin 19), LDO2P5V (Pin 20). The LDO5V output and LDO2P5V input may share a single 1µF ceramic capacitor for cost reduction or compact designs. Both LDO input and output capacitors should be placed near each respective LDO pin with the GND plate of the capacitor connected to the EPAD GND area of the PCB. While the LDO's are technically power circuits, they are sensitive to noise and should not be placed far from the P9038 device to promote stable and reliable operation.

EPAD

The use of a grid of 25 thermal vias placed inside the E-PAD of the P9038 device is recommended. Using thermal vias and having one or more GND planes in direct contact is crucial for optimal thermal performance. Typical thermal via diameter is 0.3mm and spacing should be 1mm pitch. The land pattern drawing can be found in the product datasheet.

Noise-sensitive Circuits

The sensitive circuits refer to noise sensitive circuits that should be referenced to GND on the side of the P9038 that is furthest from the PGND pins and input capacitors ("Quiet GND" side). They include the Input current sense filters (previously discussed), the ISNS_AVG pin (pin 48 for the QFN) connection to capacitor (C47), the LDO pins and filter capacitors, VSNS_AVG (Pin24) plus capacitor C51, REFGND (pin 17) and the DEMOD WPC communication filters. The most important guidance with respect to layout for all of these sensitive circuits is to tie them to GND on the opposite side of the IC from the PGND pins.

Figure 10. P9038 DEMOD Communication Filters and Accompanying Components

Note: not all pins are shown in the figure)

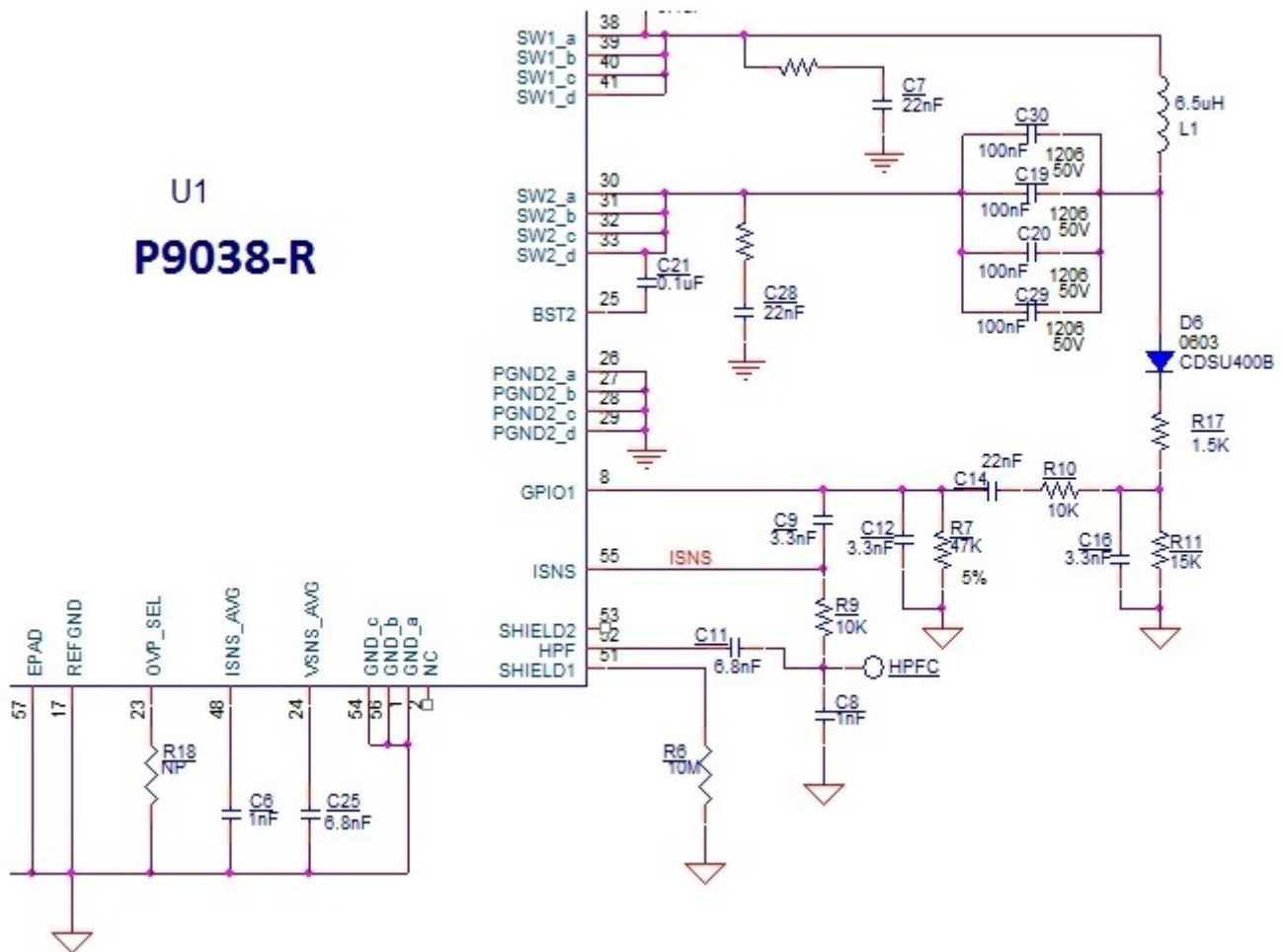
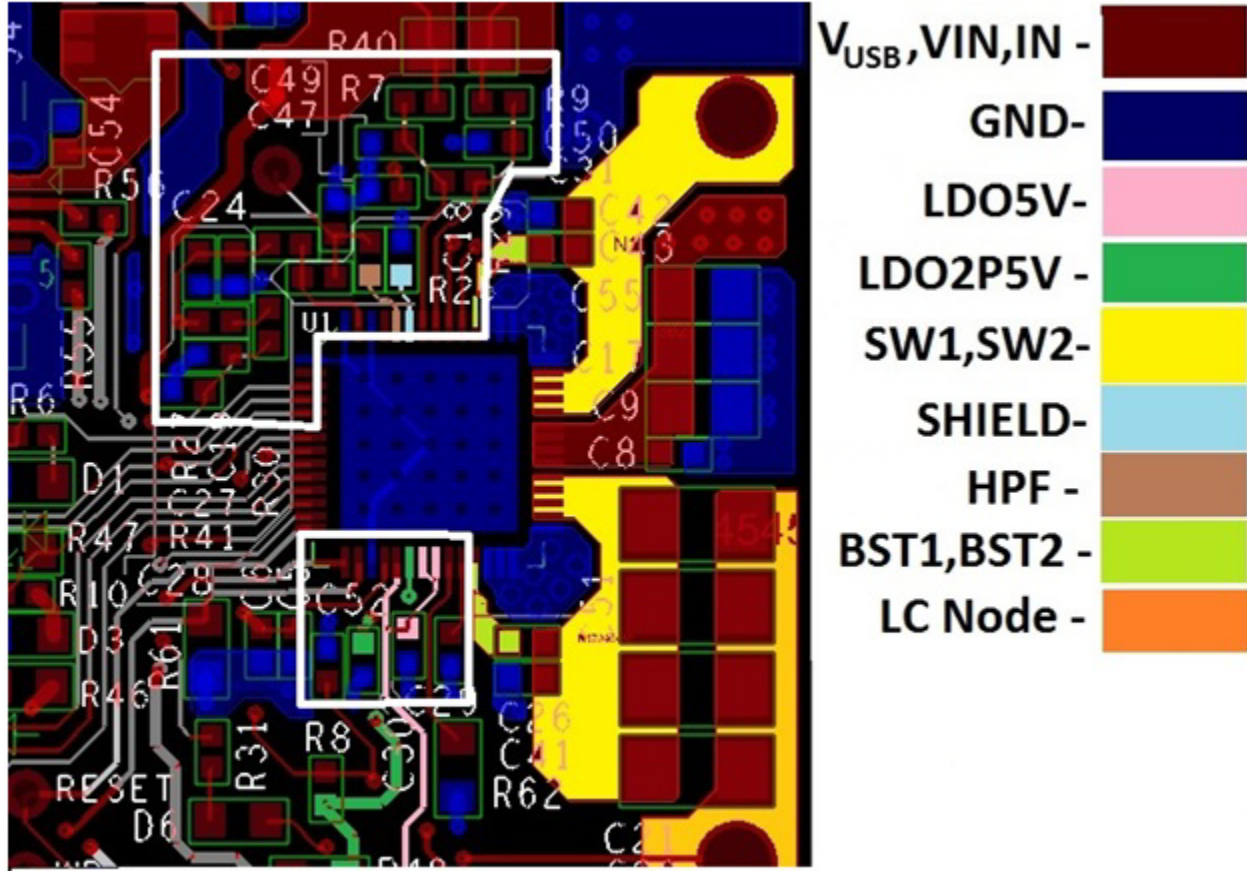


Figure 10 shows all of the components considered part of the DEMOD filters connected to the Tx coil, along with a few other sensitive components and pins. The optimal layout will have the anode of diode D6 placed close to the LC resonance node, and the remaining DEMOD filter components adjacent to the P9038 device in the 'Quiet' GND area. The connection from the cathode of D6 to R17 is subject to periodic high voltage surges near 50V-peak and should be given at least 10 mils of clearance from any other net or connection. Resistors R6 and the connections to SHEILD1 (pin 51) should be kept in close proximity and use the same GND connection as the point where C8 is merged with the rest of the GND circuits (in the 'Quiet' GND area). The input connection from C11 to the HPF (pin 52) is high impedance and is the most noise sensitive pin on the device. Extra care must be taken to route connections from HPF to C11 & C8 / R9. ISNS to C9 trace lengths should be minimized and avoid routing near PGND and VIN or SW1 and SW2 switching signals that exist on the PCB.

Figure 11. Sensitive DEMOD, Rsns Filter, LDO GND Located on opposite side of the P9038 from the PGND pins. Provide GND connection directly to EPAD for these GNDs.



DEMOD, LDO, Rsns GNDs, located close to P9038

The current sense connections from R2 to R3 and R4 are done in a Kelvin manner, directly to the pins of R2. This is done to get the most accurate voltage drop across the sense resistor prior to filtering and amplification by the internal differential amplifier used to help calculate input power for FOD.

Non-sensitive Circuits

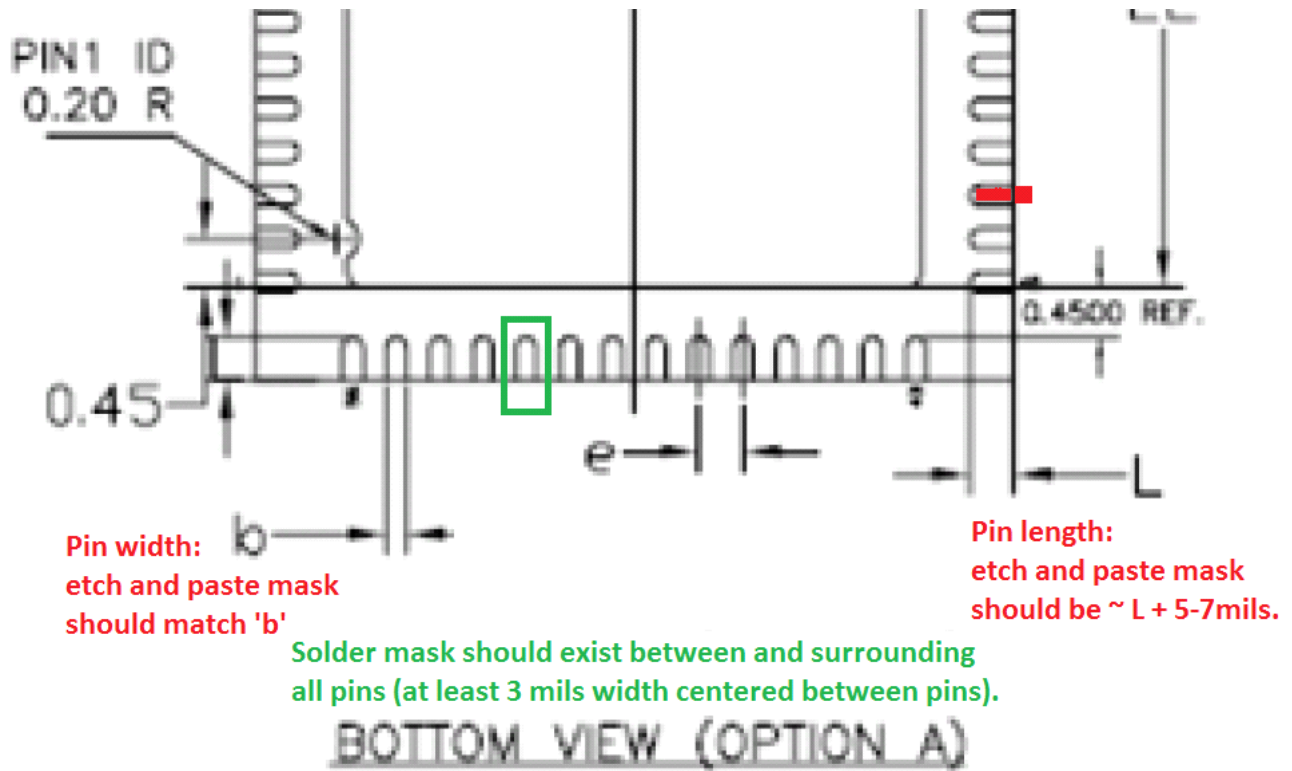
The remaining components and pins that have not been mentioned are regarded as non-sensitive circuits. The placement and routing of these nodes is not considered critical to performance or functionality, and so they simply need to be present and properly connected. In most cases, 6 mil wide traces and any method of connectivity will suffice to complete the circuit.

PCB Footprint Design

PCB Footprint can have a substantial impact on reliability and production yield. In order to avoid placement and soldering issues during assembly and product deployment, it is recommended to allow sufficient copper landing pads to be exposed, utilize soldermask, and apply a proper amount of solder paste to the IC. Furthermore, PCB cleaning is highly recommended after the reflow process is completed.

The P9038 datasheet should be referenced during footprint design, and the following image provides some additional landing pad allowance and soldermasking recommendations. The exposed pin (etch) used to solder the IC to the PCB must be at least as large as the physical pin of the package. It is highly recommended to add some additional length (L) to each pin to promote proper soldering. It is imperative to include soldermask around each pin in order to eliminate potential solder shorts during assembly and reflow. It is also not suggested to pour continuous copper planes in the pin area. Instead, use a small trace to connect pins to the planes.

Figure 12. P9038 PCB Footprint Design Guidance



Thermal Performance

PCB design can have a substantial impact on operating temperature and efficiency. In order to allow the P9038 to operate at the lowest possible temperature, the EPAD must be connected directly to a GND plane and traces on the bottom layer should be kept as short as possible and be routed as far away from the EPAD as possible to promote heat flow paths and heat dissipation. Traces, vias, or voids will block heat flow and result in increased operating temperatures. The 2.1" x 1.134" reference board, as designed, operates near 49°C when delivering 5 W.

Figure 13. P9038-R-EVK Bottom Layer Heat Flow Paths and Thermal Image when delivering 5 W to the P9025AC-R-EVK (board is 2.1" x 1.134" in area near the application circuitry). Metallic Surfaces Appear Cooler than they are due to their Emissivity.

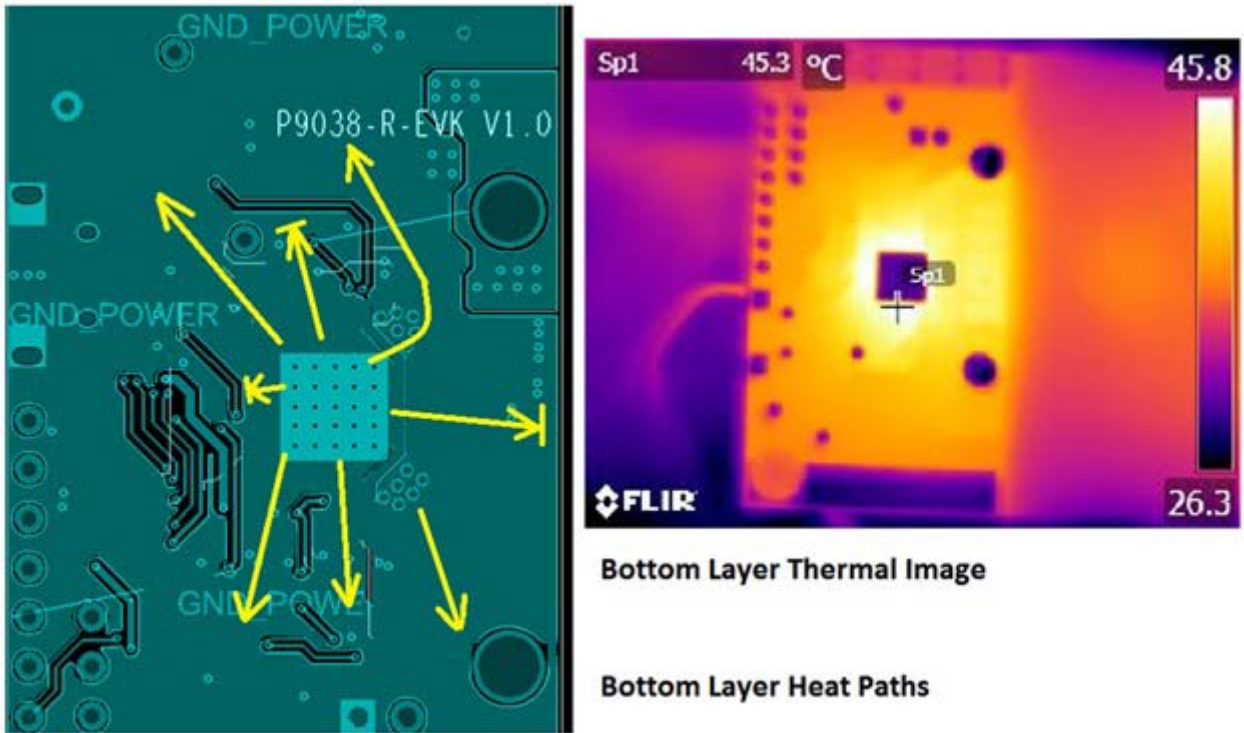
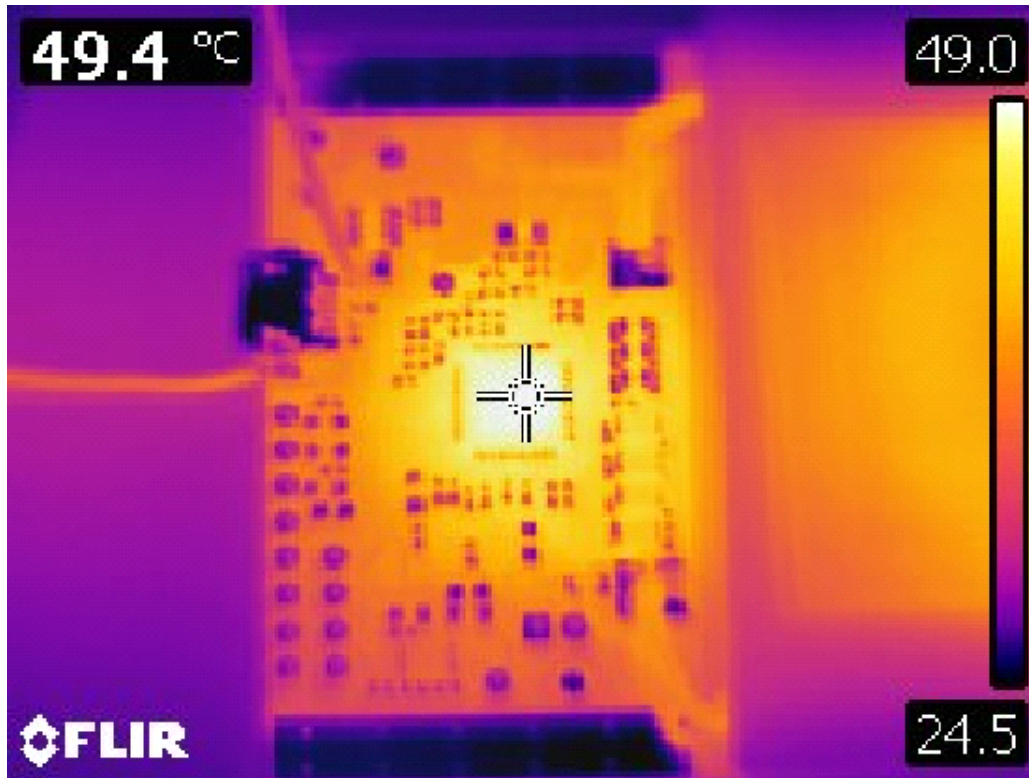


Figure 14. P9038-R-EVK Top Layer Thermal Image when delivering 5W to the P9025AC-R-EVK (board is 2.1" x 1.134" in area)



IMPORTANT NOTICE AND DISCLAIMER

RENESAS ELECTRONICS CORPORATION AND ITS SUBSIDIARIES (“RENESAS”) PROVIDES TECHNICAL SPECIFICATIONS AND RELIABILITY DATA (INCLUDING DATASHEETS), DESIGN RESOURCES (INCLUDING REFERENCE DESIGNS), APPLICATION OR OTHER DESIGN ADVICE, WEB TOOLS, SAFETY INFORMATION, AND OTHER RESOURCES “AS IS” AND WITH ALL FAULTS, AND DISCLAIMS ALL WARRANTIES, EXPRESS OR IMPLIED, INCLUDING, WITHOUT LIMITATION, ANY IMPLIED WARRANTIES OF MERCHANTABILITY, FITNESS FOR A PARTICULAR PURPOSE, OR NON-INFRINGEMENT OF THIRD-PARTY INTELLECTUAL PROPERTY RIGHTS.

These resources are intended for developers who are designing with Renesas products. You are solely responsible for (1) selecting the appropriate products for your application, (2) designing, validating, and testing your application, and (3) ensuring your application meets applicable standards, and any other safety, security, or other requirements. These resources are subject to change without notice. Renesas grants you permission to use these resources only to develop an application that uses Renesas products. Other reproduction or use of these resources is strictly prohibited. No license is granted to any other Renesas intellectual property or to any third-party intellectual property. Renesas disclaims responsibility for, and you will fully indemnify Renesas and its representatives against, any claims, damages, costs, losses, or liabilities arising from your use of these resources. Renesas' products are provided only subject to Renesas' Terms and Conditions of Sale or other applicable terms agreed to in writing. No use of any Renesas resources expands or otherwise alters any applicable warranties or warranty disclaimers for these products.

(Disclaimer Rev.1.01 Jan 2024)

Corporate Headquarters

TOYOSU FORESIA, 3-2-24 Toyosu,
Koto-ku, Tokyo 135-0061, Japan
www.renesas.com

Trademarks

Renesas and the Renesas logo are trademarks of Renesas Electronics Corporation. All trademarks and registered trademarks are the property of their respective owners.

Contact Information

For further information on a product, technology, the most up-to-date version of a document, or your nearest sales office, please visit www.renesas.com/contact-us/.