

How to use Rail-to-Rail Amplifiers to Improve Input Offset Accuracy

In today's electronic systems, the negative power supply is disappearing, while the positive power supply voltage is decreasing. This trend is driving the proliferation of rail-to-rail amplifiers. While the supply voltage is changing, the signal level often remains the same.

For example, the standard video signal is 2V. When the power supply comes down to 2V, the amplifier/buffer must be linear or accurate within the full 2V supply range.

This application note focuses on the development of the rail-to-rail amplifier's input stage and discusses in detail the input enhancement circuit that overcomes the deficiencies associated with rail-to-rail amplifiers. For simplicity, this discussion is limited to MOSFET amplifiers.

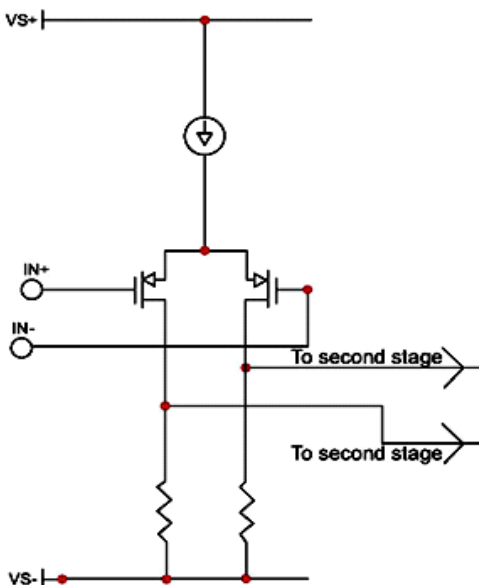


FIGURE 1. THIS TOPOLOGY PROVIDES DIFFERENTIAL GAIN AND REJECTS COMMON-MODE SIGNALS, BUT LIMITATION IS IN ITS OPERATING RANGE

The input stage from a basic op amp is shown in Figure 1. A transistor pair, called a differential pair, sits atop a current source to accommodate the differential input.

While this topology provides differential gain and rejects common-mode signals, its limitation is in its operating range. The input voltage range is 0-1.5V with a 3V single-supply. If the input voltage is raised above 1.5V, the current source is forced out of saturation. Once the current source leaves the saturation region, the gain is distorted.

EKG Application Example

For a sample application, such as current or voltage sensing by an electrocardiogram (EKG), the quality of the design is directly related to the voltage range of signals that can be processed. A standard textbook rail-to-rail op amp topology accommodates this challenge with a dual-input stage (Figure 2).

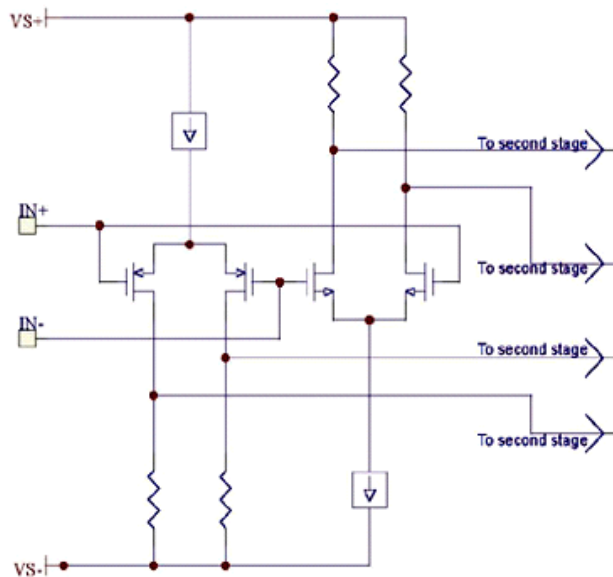


FIGURE 2. IN SENSITIVE APPLICATIONS LIKE THE EKG, ANY VARIATION IN OFFSET VOLTAGE JEOPARDIZES THE ACCURACY OF THE SYSTEM

When the input voltage approaches the lower supply rail, the PMOS transistor pair amplifies the signal. Conversely, the NMOS differential pair amplifies input signals that approach the upper supply rail. In this way, the input can span the entire supply voltage range. The most obvious trade-off to achieve this improvement in input range is the extra power required to bias the complementary differential pair.

A less obvious trade-off exists in the offset voltage with respect to the input bias voltage. The offset for the NMOS pair does not necessarily match the offset of the PMOS pair and occurs with opposing polarity.

Somewhere near mid-supply, there is a hand-off from one pair to the other. During the hand-off, the offset voltage is the average of the offset from each pair. This creates a stair-step characteristic, as shown in Figure 4.

For added insight, the offset is plotted for various temperatures. The PMOS input pair, active for low common-mode input voltages, exhibits a wide range of offset voltage vs. temperature. The variation in the NMOS pair causes the distribution on the right side of the plot for high common mode input voltages.

In sensitive applications like the EKG, any variation in offset voltage jeopardizes the accuracy of the system. The signal must first be amplified well beyond the offset voltage level to take advantage of rail-to-rail amplifiers with an input topology shown in Figure 2.

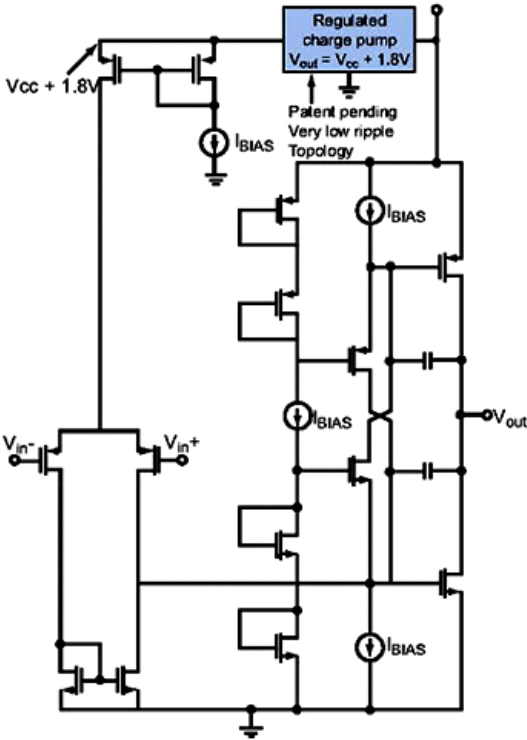


FIGURE 3. AN INPUT-RANGE ENHANCEMENT CIRCUIT HAS BEEN INCLUDED IN OP AMPS LIKE THE EL8178 TO ADJUST THE BIAS INTERNALLY PROVIDED TO THE CURRENT SOURCE

Full Range of Inputs

In precision and low-power applications, a new type of rail-to-rail amplifier is needed. The goal is to achieve a full range of input voltages without the crossover distortion in the offset voltage that occurs during the hand-off region of the dual differential design.

Let's return to the single differential design. The input range of the topology in Figure 1 does not allow for full range input operation.

A portion of the input range is preserved for biasing the current source in the saturation region. Can the biasing for the current source be accomplished in a manner that allows the input to span between the supply rails? An input-range enhancement circuit has been included in op amps like the EL8178 to adjust the bias internally provided to the current source (Figure 3).

Inside the enhancement circuit is a charge pump. While the mention of a charge pump usually brings up noise issues, the charge pump's operating frequency is beyond the bandwidth of the amplifier. Thus, there is no measurable change in the noise performance of the amplifier. Moreover, we must revisit the issue of offset voltage.

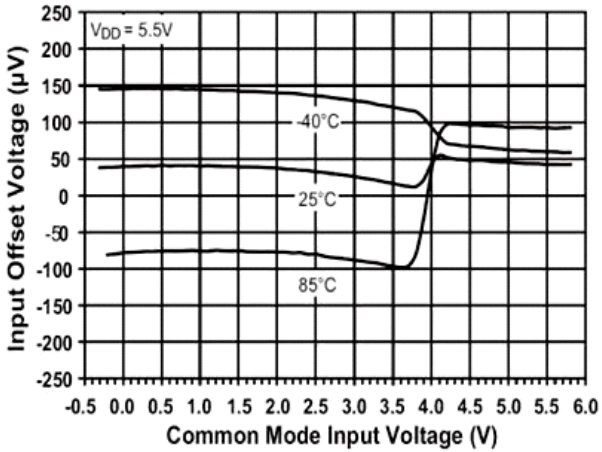


FIGURE 4. THE INPUT RANGE ENHANCEMENT CIRCUIT ALLOWS A SINGLE DIFFERENTIAL PAIR TO PROVIDE RAIL-TO-RAIL OPERATION WITHOUT THE NEED FOR A SECOND COMPLIMENTARY DIFFERENTIAL PAIR

Figure 3 fulfills our goal of maintaining the offset voltage. The input range enhancement circuit allows a single differential pair to provide rail-to-rail operation without the need for a second, complementary differential pair.

The offset voltage is completely dependent on the mismatch of only one set of transistors, so there is no crossover region. Careful layout and trimming can ensure that the input-referred offset voltage is less than 100 microvolts.

So far, the discussion has been limited to MOSFET implementations. Bipolar technologies can also benefit from this configuration. Besides improvement in offset voltage, a bipolar version would also exhibit a similar improvement in input bias current. The input bias current would feed only one matched differential pair, not two pairs with a crossover region.

Amp Evolution

An example of the evolution of rail-to-rail amplifiers is shown in Table 1. It summarizes the performance of three op-amp examples. The final version, the EL8178, provides the specifications needed by low power, high-resolution systems like a portable EKG machine.

TABLE 1. THE EL8178 PROVIDES THE SPECIFICATIONS NEEDED BY LOW-POWER, HIGH-RESOLUTION SYSTEMS LIKE A PORTABLE EKG MACHINE

OP AMP INPUT TYPE (EXAMPLE)	INPUT STAGE	COMMON-MODE INPUT RANGE ON 5V SINGLE SUPPLY	OFFSET VOLTAGE (INPUT-REFERRED)
Basic (EL5144)	Single differential pair	0V to 3.5V	25mV
Rail-to-rail (EL5111)	Dual Differential Pair	-0.5V to 5.5V	3mV to 15mV
Biased rail-to-rail (EL8178)	Single differential pair with input enhancement	0V to 5V	50µV to 100µV

The basic input stage, which is composed of a single-differential pair, doesn't allow a full range of voltages at the input. A dual differential pair extends the input voltage range to the supplies, but suffers nonlinearity in the offset voltage (and input bias current in bipolar junction transistors) because of the hand-off between the two pairs. The third solution includes an internal enhancement to adjust the bias on the current source of a single differential pair to allow rail-to-rail operation with no discontinuity in offset voltage.

Notice

1. Descriptions of circuits, software and other related information in this document are provided only to illustrate the operation of semiconductor products and application examples. You are fully responsible for the incorporation or any other use of the circuits, software, and information in the design of your product or system. Renesas Electronics disclaims any and all liability for any losses and damages incurred by you or third parties arising from the use of these circuits, software, or information.
 2. Renesas Electronics hereby expressly disclaims any warranties against and liability for infringement or any other claims involving patents, copyrights, or other intellectual property rights of third parties, by or arising from the use of Renesas Electronics products or technical information described in this document, including but not limited to, the product data, drawings, charts, programs, algorithms, and application examples.
 3. No license, express, implied or otherwise, is granted hereby under any patents, copyrights or other intellectual property rights of Renesas Electronics or others.
 4. You shall not alter, modify, copy, or reverse engineer any Renesas Electronics product, whether in whole or in part. Renesas Electronics disclaims any and all liability for any losses or damages incurred by you or third parties arising from such alteration, modification, copying or reverse engineering.
 5. Renesas Electronics products are classified according to the following two quality grades: "Standard" and "High Quality". The intended applications for each Renesas Electronics product depends on the product's quality grade, as indicated below.
"Standard": Computers; office equipment; communications equipment; test and measurement equipment; audio and visual equipment; home electronic appliances; machine tools; personal electronic equipment; industrial robots; etc.
"High Quality": Transportation equipment (automobiles, trains, ships, etc.); traffic control (traffic lights); large-scale communication equipment; key financial terminal systems; safety control equipment; etc.
Unless expressly designated as a high reliability product or a product for harsh environments in a Renesas Electronics data sheet or other Renesas Electronics document, Renesas Electronics products are not intended or authorized for use in products or systems that may pose a direct threat to human life or bodily injury (artificial life support devices or systems; surgical implantations; etc.), or may cause serious property damage (space system; undersea repeaters; nuclear power control systems; aircraft control systems; key plant systems; military equipment; etc.). Renesas Electronics disclaims any and all liability for any damages or losses incurred by you or any third parties arising from the use of any Renesas Electronics product that is inconsistent with any Renesas Electronics data sheet, user's manual or other Renesas Electronics document.
 6. When using Renesas Electronics products, refer to the latest product information (data sheets, user's manuals, application notes, "General Notes for Handling and Using Semiconductor Devices" in the reliability handbook, etc.), and ensure that usage conditions are within the ranges specified by Renesas Electronics with respect to maximum ratings, operating power supply voltage range, heat dissipation characteristics, installation, etc. Renesas Electronics disclaims any and all liability for any malfunctions, failure or accident arising out of the use of Renesas Electronics products outside of such specified ranges.
 7. Although Renesas Electronics endeavors to improve the quality and reliability of Renesas Electronics products, semiconductor products have specific characteristics, such as the occurrence of failure at a certain rate and malfunctions under certain use conditions. Unless designated as a high reliability product or a product for harsh environments in a Renesas Electronics data sheet or other Renesas Electronics document, Renesas Electronics products are not subject to radiation resistance design. You are responsible for implementing safety measures to guard against the possibility of bodily injury, injury or damage caused by fire, and/or danger to the public in the event of a failure or malfunction of Renesas Electronics products, such as safety design for hardware and software, including but not limited to redundancy, fire control and malfunction prevention, appropriate treatment for aging degradation or any other appropriate measures. Because the evaluation of microcomputer software alone is very difficult and impractical, you are responsible for evaluating the safety of the final products or systems manufactured by you.
 8. Please contact a Renesas Electronics sales office for details as to environmental matters such as the environmental compatibility of each Renesas Electronics product. You are responsible for carefully and sufficiently investigating applicable laws and regulations that regulate the inclusion or use of controlled substances, including without limitation, the EU RoHS Directive, and using Renesas Electronics products in compliance with all these applicable laws and regulations. Renesas Electronics disclaims any and all liability for damages or losses occurring as a result of your noncompliance with applicable laws and regulations.
 9. Renesas Electronics products and technologies shall not be used for or incorporated into any products or systems whose manufacture, use, or sale is prohibited under any applicable domestic or foreign laws or regulations. You shall comply with any applicable export control laws and regulations promulgated and administered by the governments of any countries asserting jurisdiction over the parties or transactions.
 10. It is the responsibility of the buyer or distributor of Renesas Electronics products, or any other party who distributes, disposes of, or otherwise sells or transfers the product to a third party, to notify such third party in advance of the contents and conditions set forth in this document.
 11. This document shall not be reprinted, reproduced or duplicated in any form, in whole or in part, without prior written consent of Renesas Electronics.
 12. Please contact a Renesas Electronics sales office if you have any questions regarding the information contained in this document or Renesas Electronics products.
- (Note 1) "Renesas Electronics" as used in this document means Renesas Electronics Corporation and also includes its directly or indirectly controlled subsidiaries.
(Note 2) "Renesas Electronics product(s)" means any product developed or manufactured by or for Renesas Electronics.

(Rev.4.0-1 November 2017)



SALES OFFICES

Renesas Electronics Corporation

<http://www.renesas.com>

Refer to "<http://www.renesas.com/>" for the latest and detailed information.

Renesas Electronics America Inc.
1001 Murphy Ranch Road, Milpitas, CA 95035, U.S.A.
Tel: +1-408-432-8888, Fax: +1-408-434-5351

Renesas Electronics Canada Limited
9251 Yonge Street, Suite 8309 Richmond Hill, Ontario Canada L4C 9T3
Tel: +1-905-237-2004

Renesas Electronics Europe Limited
Dukes Meadow, Millboard Road, Bourne End, Buckinghamshire, SL8 5FH, U.K
Tel: +44-1628-651-700, Fax: +44-1628-651-804

Renesas Electronics Europe GmbH
Arcadiastrasse 10, 40472 Düsseldorf, Germany
Tel: +49-211-6503-0, Fax: +49-211-6503-1327

Renesas Electronics (China) Co., Ltd.
Room 1709 Quantum Plaza, No.27 ZhichunLu, Haidian District, Beijing, 100191 P. R. China
Tel: +86-10-8235-1155, Fax: +86-10-8235-7679

Renesas Electronics (Shanghai) Co., Ltd.
Unit 301, Tower A, Central Towers, 555 Langao Road, Putuo District, Shanghai, 200333 P. R. China
Tel: +86-21-2226-0888, Fax: +86-21-2226-0999

Renesas Electronics Hong Kong Limited
Unit 1601-1611, 16/F., Tower 2, Grand Century Place, 193 Prince Edward Road West, Mongkok, Kowloon, Hong Kong
Tel: +852-2265-6688, Fax: +852-2886-9022

Renesas Electronics Taiwan Co., Ltd.
13F, No. 363, Fu Shing North Road, Taipei 10543, Taiwan
Tel: +886-2-8175-9600, Fax: +886-2-8175-9670

Renesas Electronics Singapore Pte. Ltd.
80 Bendemeer Road, Unit #06-02 Hyflux Innovation Centre, Singapore 339949
Tel: +65-6213-0200, Fax: +65-6213-0300

Renesas Electronics Malaysia Sdn.Bhd.
Unit 1207, Block B, Menara Amcorp, Amcorp Trade Centre, No. 18, Jln Persiaran Barat, 46050 Petaling Jaya, Selangor Darul Ehsan, Malaysia
Tel: +60-3-7955-9390, Fax: +60-3-7955-9510

Renesas Electronics India Pvt. Ltd.
No.777C, 100 Feet Road, HAL 2nd Stage, Indiranagar, Bangalore 560 038, India
Tel: +91-80-67208700, Fax: +91-80-67208777

Renesas Electronics Korea Co., Ltd.
17F, KAMCO Yangjae Tower, 262, Gangnam-daero, Gangnam-gu, Seoul, 06265 Korea
Tel: +82-2-558-3737, Fax: +82-2-558-5338