

Using Ring Sync with HC-5502A and HC-5504 SLICs

Introduction

The ring synchronization (sync) input pin is a TTL compatible clock input in both the HC-5502A and HC-5504 SLICs. It's purpose is to insure that the ring relay is activated or deactivated only when the instantaneous AC ring voltage, which may be as high as 150V peak, is at or near AC zero crossing.

If ring sync is not used, it must be tied high to insure proper ring trip. When used, it is important to consider at which zero crossing of the AC ring voltage, positive or negative, the ring sync signal must be synchronized with. Subsequent illustrations and equations highlight this consideration.

For detailed description of the ring trip sequence of events, refer to Application Note 549 by P. G. Phillips. Excerpts from the pertinent section are included below.

Ring Trip Sequence

The Ring Command (\overline{RC}) input is taken low during ringing. This activates the ring relay driver (RD) output providing the telephone is not off-hook or the line is not in a power denial state. The ring relay connects the ring generator to the subscriber loop. The ring generator output is usually an 80V_{RMS}, 20Hz signal. For use with the Intersil SLIC, the ring signal should not exceed 150V peak. Since the telephone ringer is AC coupled, only ring current will flow. For the HC-5502A SLIC, the ring current is sunk by the ring feed amplifier output stage whereas for the HC-5504 the ring path flows directly into V_{B-} via a set of relay contacts. The high impedance terminal RFS exists on the HC-5504 so that the low impedance RF node can be isolated from the hot end of the ring path in the battery referenced ring scheme.

The AC ring current flowing in the subscriber circuit will be sensed across RB4, and will give rise to an AC voltage at the output of the longitudinal amplifier. R19 and C4 attenuate this signal before it reaches the ring trip detector to prevent false ring trip. C4 is nominally set at 0.47 μ F but can be increased towards 1 μ F for short lines or if several telephones are connected in parallel across the line in order to prevent false or intermittent ring trip.

When the subscriber goes off-hook, a DC path is established between the output winding of the ring generator and the battery ground or V_{B-} terminal. A DC longitudinal imbalance is established since no tip feed current is flowing through the

tip feed resistors. The longitudinal amplifier output is driven negative. Once it exceeds the ring trip threshold of the ring trip detector, the logic circuitry is driven by GK to trip the ring relay establishing an off-hook condition such that SHD will become active as loop metallic current starts to flow.

Figure 1 illustrates the sequence of events during ring trip with ring synchronization. Note, that owing to the 90° phase shift introduced by the low pass filter (R19, C4) the RS pulse will occur at the most negative point of the attenuated ring signal that is fed into the ring trip detector. Hence, when DC conditions are established for RTD, the AC component actually assists ring trip taking place. If ring synchronization is not used, then the RS pin should be held permanently to a logic high of 5V nominally: ring trip will occur asynchronously with respect to the ring voltage. Ring trip is guaranteed to take place within three ring cycles after the telephone going off-hook.

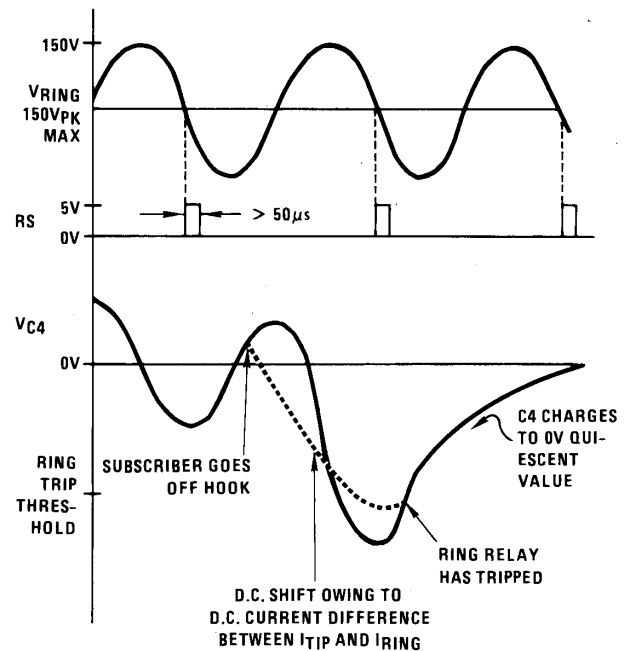


FIGURE 1. RING TRIP SEQUENCE

Case 1: HC-5502A Tip Injected Ringing

$$V_{LA} = (I_{RING} - I_{TIP}) (RB4) (K)$$

(During Ringing $I_{TIP} = 0$)

$$V_{LA} = (I_{RING}) (RB4) (K)$$

$$I_{RING} = (V_{RF} - V_{RING})/RB4$$

$$V_{LA} = (V_{RF} - V_{RING}) K$$

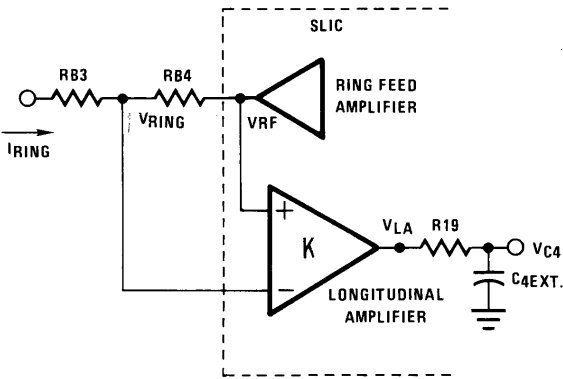


FIGURE 2.

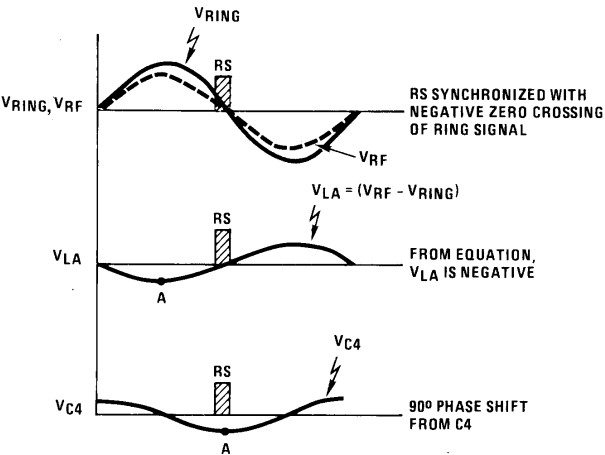


FIGURE 3.

For Case 1, refer to Figures 2 and 3. In this situation the desired result is obtained, namely, that ring sync occurs during the negative peak of V_{C4} . This helps achieve ring trip faster because, once a subscriber goes off-hook, a negative DC shift is observed at V_{C4} . This shift approaches a comparator threshold in the ring trip detection circuit. If the negative peak of V_{C4} (AC) precedes the negative going DC shift at V_{C4} , one can achieve ring trip in a shorter time frame. Also this configuration allows ring trip to occur for long lines, in the order of 3000Ω. At these line lengths, the DC negative shift will never reach the threshold because there is not enough DC current through the sense resistor, RB4. However, the negative peak of V_{C4} (AC) will cross the ring trip detector comparator threshold and ring trip will occur.

Conclusion 1: For this case make sure ring sync is synchronized with the negative zero crossing of V_{RING} as it appears on the line.

Case 2: HC-5504 Ring Injected Ringing

$$V_{LA} = (I_{RING} - I_{TIP}) (RB4) (K)$$

(During Ringing $I_{TIP} = 0$)

$$V_{LA} = (I_{RING})(RB4) (K)$$

$$I_{RING} = (V_{RFS} - V_{RING})/RB4$$

$$V_{LA} = (V_{RFS} - V_{RING}) K$$

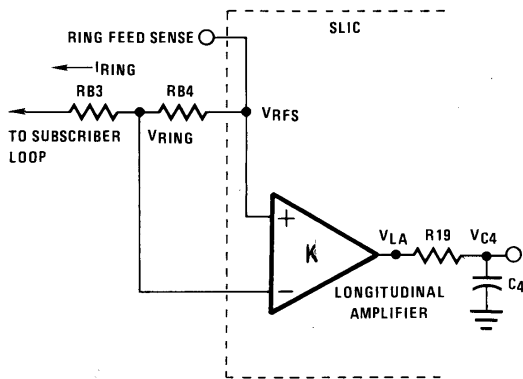


FIGURE 4.

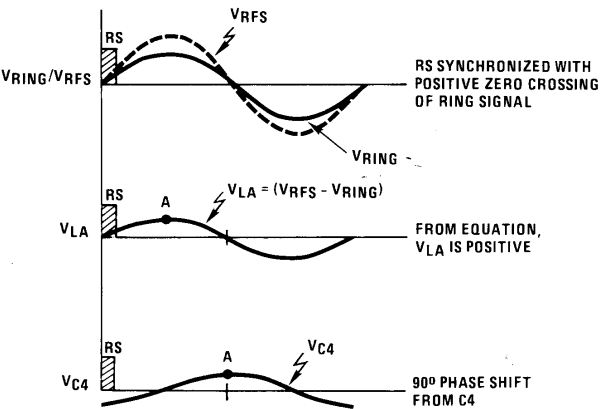


FIGURE 5.

For Case 2 refer to Figures 4 and 5. Here ring sync must be synchronized with the positive zero crossing of V_{RING} (AC) as it appears on the line so as to coincide with the negative peak of V_{C4} (AC), as in the previous case. One can see from Figure 5 that ring sync on the negative zero crossing would coincide with the positive peak of V_{C4} , inhibiting ring trip for loops greater than approximately 800Ω.

Conclusion 2: For this case make sure ring sync is synchronized with the positive zero crossing of V_{RING} (AC).

For all other ring configurations, namely, tip injected and balanced ringing for the HC-5504, if ring sync is used, it must be synchronized with the negative zero crossing of V_{RING} (AC).

Acknowledgment

The author wishes to thank Geoff Phillips for his contribution to this paper.

Notice

1. Descriptions of circuits, software and other related information in this document are provided only to illustrate the operation of semiconductor products and application examples. You are fully responsible for the incorporation or any other use of the circuits, software, and information in the design of your product or system. Renesas Electronics disclaims any and all liability for any losses and damages incurred by you or third parties arising from the use of these circuits, software, or information.
2. Renesas Electronics hereby expressly disclaims any warranties against and liability for infringement or any other claims involving patents, copyrights, or other intellectual property rights of third parties, by or arising from the use of Renesas Electronics products or technical information described in this document, including but not limited to, the product data, drawings, charts, programs, algorithms, and application examples.
3. No license, express, implied or otherwise, is granted hereby under any patents, copyrights or other intellectual property rights of Renesas Electronics or others.
4. You shall not alter, modify, copy, or reverse engineer any Renesas Electronics product, whether in whole or in part. Renesas Electronics disclaims any and all liability for any losses or damages incurred by you or third parties arising from such alteration, modification, copying or reverse engineering.
5. Renesas Electronics products are classified according to the following two quality grades: "Standard" and "High Quality". The intended applications for each Renesas Electronics product depends on the product's quality grade, as indicated below.
"Standard": Computers; office equipment; communications equipment; test and measurement equipment; audio and visual equipment; home electronic appliances; machine tools; personal electronic equipment; industrial robots; etc.
"High Quality": Transportation equipment (automobiles, trains, ships, etc.); traffic control (traffic lights); large-scale communication equipment; key financial terminal systems; safety control equipment; etc.
Unless expressly designated as a high reliability product or a product for harsh environments in a Renesas Electronics data sheet or other Renesas Electronics document, Renesas Electronics products are not intended or authorized for use in products or systems that may pose a direct threat to human life or bodily injury (artificial life support devices or systems; surgical implantations; etc.), or may cause serious property damage (space system; undersea repeaters; nuclear power control systems; aircraft control systems; key plant systems; military equipment; etc.). Renesas Electronics disclaims any and all liability for any damages or losses incurred by you or any third parties arising from the use of any Renesas Electronics product that is inconsistent with any Renesas Electronics data sheet, user's manual or other Renesas Electronics document.
6. When using Renesas Electronics products, refer to the latest product information (data sheets, user's manuals, application notes, "General Notes for Handling and Using Semiconductor Devices" in the reliability handbook, etc.), and ensure that usage conditions are within the ranges specified by Renesas Electronics with respect to maximum ratings, operating power supply voltage range, heat dissipation characteristics, installation, etc. Renesas Electronics disclaims any and all liability for any malfunctions, failure or accident arising out of the use of Renesas Electronics products outside of such specified ranges.
7. Although Renesas Electronics endeavors to improve the quality and reliability of Renesas Electronics products, semiconductor products have specific characteristics, such as the occurrence of failure at a certain rate and malfunctions under certain use conditions. Unless designated as a high reliability product or a product for harsh environments in a Renesas Electronics data sheet or other Renesas Electronics document, Renesas Electronics products are not subject to radiation resistance design. You are responsible for implementing safety measures to guard against the possibility of bodily injury, injury or damage caused by fire, and/or danger to the public in the event of a failure or malfunction of Renesas Electronics products, such as safety design for hardware and software, including but not limited to redundancy, fire control and malfunction prevention, appropriate treatment for aging degradation or any other appropriate measures. Because the evaluation of microcomputer software alone is very difficult and impractical, you are responsible for evaluating the safety of the final products or systems manufactured by you.
8. Please contact a Renesas Electronics sales office for details as to environmental matters such as the environmental compatibility of each Renesas Electronics product. You are responsible for carefully and sufficiently investigating applicable laws and regulations that regulate the inclusion or use of controlled substances, including without limitation, the EU RoHS Directive, and using Renesas Electronics products in compliance with all these applicable laws and regulations. Renesas Electronics disclaims any and all liability for damages or losses occurring as a result of your noncompliance with applicable laws and regulations.
9. Renesas Electronics products and technologies shall not be used for or incorporated into any products or systems whose manufacture, use, or sale is prohibited under any applicable domestic or foreign laws or regulations. You shall comply with any applicable export control laws and regulations promulgated and administered by the governments of any countries asserting jurisdiction over the parties or transactions.
10. It is the responsibility of the buyer or distributor of Renesas Electronics products, or any other party who distributes, disposes of, or otherwise sells or transfers the product to a third party, to notify such third party in advance of the contents and conditions set forth in this document.
11. This document shall not be reprinted, reproduced or duplicated in any form, in whole or in part, without prior written consent of Renesas Electronics.
12. Please contact a Renesas Electronics sales office if you have any questions regarding the information contained in this document or Renesas Electronics products.
(Note 1) "Renesas Electronics" as used in this document means Renesas Electronics Corporation and also includes its directly or indirectly controlled subsidiaries.
(Note 2) "Renesas Electronics product(s)" means any product developed or manufactured by or for Renesas Electronics.

(Rev.4.0-1 November 2017)



SALES OFFICES

Renesas Electronics Corporation

<http://www.renesas.com>

Refer to "<http://www.renesas.com/>" for the latest and detailed information.

Renesas Electronics America Inc.
1001 Murphy Ranch Road, Milpitas, CA 95035, U.S.A.
Tel: +1-408-432-8888, Fax: +1-408-434-5351

Renesas Electronics Canada Limited
9251 Yonge Street, Suite 8309 Richmond Hill, Ontario Canada L4C 9T3
Tel: +1-905-237-2004

Renesas Electronics Europe Limited
Dukes Meadow, Millboard Road, Bourne End, Buckinghamshire, SL8 5FH, U.K
Tel: +44-1628-651-700, Fax: +44-1628-651-804

Renesas Electronics Europe GmbH
Arcadiastrasse 10, 40472 Düsseldorf, Germany
Tel: +49-211-6503-0, Fax: +49-211-6503-1327

Renesas Electronics (China) Co., Ltd.
Room 1709 Quantum Plaza, No.27 ZhichunLu, Haidian District, Beijing, 100191 P. R. China
Tel: +86-10-8235-1155, Fax: +86-10-8235-7679

Renesas Electronics (Shanghai) Co., Ltd.
Unit 301, Tower A, Central Towers, 555 Langao Road, Putuo District, Shanghai, 200333 P. R. China
Tel: +86-21-2226-0888, Fax: +86-21-2226-0999

Renesas Electronics Hong Kong Limited
Unit 1601-1611, 16/F., Tower 2, Grand Century Place, 193 Prince Edward Road West, Mongkok, Kowloon, Hong Kong
Tel: +852-2265-6688, Fax: +852-2886-9022

Renesas Electronics Taiwan Co., Ltd.
13F, No. 363, Fu Shing North Road, Taipei 10543, Taiwan
Tel: +886-2-8175-9600, Fax: +886-2-8175-9670

Renesas Electronics Singapore Pte. Ltd.
80 Bendemeer Road, Unit #06-02 Hyflux Innovation Centre, Singapore 339949
Tel: +65-6213-0200, Fax: +65-6213-0300

Renesas Electronics Malaysia Sdn.Bhd.
Unit 1207, Block B, Menara Amcorp, Amcorp Trade Centre, No. 18, Jln Persiaran Barat, 46050 Petaling Jaya, Selangor Darul Ehsan, Malaysia
Tel: +60-3-7955-9390, Fax: +60-3-7955-9510

Renesas Electronics India Pvt. Ltd.
No.777C, 100 Feet Road, HAL 2nd Stage, Indiranagar, Bangalore 560 038, India
Tel: +91-80-67208700, Fax: +91-80-67208777

Renesas Electronics Korea Co., Ltd.
17F, KAMCO Yangjae Tower, 262, Gangnam-daero, Gangnam-gu, Seoul, 06265 Korea
Tel: +82-2-558-3737, Fax: +82-2-558-5338