

# Application Note

## DA9063L-A Power Management for TCC8030 Platform

AN-PM-134

### Abstract

*This application note describes using Dialog's flexible PMICs to produce a solution for Telechips TCC8030 (Dolphin+) platform.*

*Through a description of the general system configuration, power capabilities and requirements and an overview of the component interconnections, it will be shown that the DA9063L-A is highly suited as the power management system solution for Telechips TCC8030 platforms.*

---

## DA9063L-A Power Management for TCC8030 Platform

### Contents

<b>Abstract</b> .....	<b>1</b>
<b>1 Introduction</b> .....	<b>4</b>
<b>2 Telechips TCC8030 SoC Description</b> .....	<b>5</b>
<b>3 DA9063L-A Description</b> .....	<b>6</b>
<b>4 TCC8030 SoC Power Requirements</b> .....	<b>7</b>
<b>5 TCC8030 SoC Power Tree System Diagram</b> .....	<b>8</b>
<b>6 PMIC Schematic for TCC8030 Reference Board</b> .....	<b>9</b>
<b>7 DA9063L-A Reference Design BOM</b> .....	<b>10</b>
<b>8 DA9063L-A GPIO Functions for TCC8030</b> .....	<b>11</b>
<b>9 Power On/Off Sequence for TCC8030 Based on DA9063L-A</b> .....	<b>12</b>
9.1 Power On and Wake-Up .....	12
9.2 Power Off and Power Down.....	12
<b>10 PMIC GPIO7 Setting for Discharging Function</b> .....	<b>13</b>
<b>11 DA9063L-A Power Mode Transition</b> .....	<b>14</b>
<b>12 DA9063L-A Sequencer Configuration for TCC8030</b> .....	<b>15</b>
<b>13 DA9063L-A Power-On Sequence for TCC8030</b> .....	<b>16</b>
<b>14 DA9063L-A Register Map</b> .....	<b>17</b>
14.1 GPIO Control.....	17
14.2 Power Sequencer.....	23
14.3 Regulator Settings.....	27
<b>15 Conclusion</b> .....	<b>32</b>
<b>Revision History</b> .....	<b>33</b>

### Figures

Figure 1: Telechips TCC8030 Block Diagram .....	5
Figure 2: DA9063L-A System Block Diagram .....	6
Figure 3: Telechips TCC8030 SoC and PMIC Interconnections .....	8
Figure 4: PMIC Schematic for TCC8030 Reference Board .....	9
Figure 5: External Components for TCC8030 Reference Board.....	10
Figure 6: DA9063L-A Power Mode Transition.....	14
Figure 7: DA9063L-A Sequencer Configuration for TCC8030 .....	15
Figure 8: TCC8030 Power Up Sequence.....	16

### Tables

Table 1: DA9063L-A Regulator Mappings to TCC8030 SoC .....	7
Table 2: Reference Design BOM .....	10
Table 3: DA9063L-A .....	11
Table 4: GPIO0-1 Control.....	17
Table 5: GPIO2-3 Control.....	17
Table 6: GPIO4-5 Control.....	18

## DA9063L-A Power Management for TCC8030 Platform

Table 7: GPIO6-7 Control.....	18
Table 8: GPIO8-9 Control.....	19
Table 9: GPIO10-11 Control.....	19
Table 10: GPIO12-13 Control.....	20
Table 11: GPIO14-15 Control.....	20
Table 12: GPIO- MODE0-7 .....	21
Table 13: GPIO- MODE8-15 .....	21
Table 14: SEQ_TIMER.....	23
Table 15: ID_4_3.....	23
Table 16: ID_8_7.....	23
Table 17: ID_10_9.....	24
Table 18: ID_12_11.....	24
Table 19: ID_14_13.....	24
Table 20: ID_16_15.....	25
Table 21: ID_18_17.....	25
Table 22: ID_22_21.....	25
Table 23: ID_24_23.....	26
Table 24: ID_28_27.....	26
Table 25: VBCORE2-A.....	27
Table 26: VBCORE1_A.....	27
Table 27: VBPRO_A.....	28
Table 28: VBMEM_A.....	28
Table 29: VBIO_A.....	29
Table 30: VBPERI_A.....	29
Table 31: VLDO3_A.....	29
Table 32: VLDO7_A.....	30
Table 33: VLDO8_A.....	30
Table 34: VLDO9_A.....	31
Table 35: VLDO11_A.....	31
Table 36: CONFIG_F.....	31

---

## DA9063L-A Power Management for TCC8030 Platform

### 1 Introduction

This document describes how to interconnect the DA9063L-A Power Management IC (PMIC) to the Telechips TCC8030 System on Chip (SoC). The DA9063L-A is a highly integrated chip that supports Dynamic Voltage Control (DVC) technology, enabling significant power saving: this feature supports the Dynamic Voltage and Frequency Scaling (DVFS) technology that is used by many processors.

As a result of its highly integrated features, the DA9063L-A PMIC significantly reduces the overall system cost and size compared to a discrete solution. This application note addresses only the power supply related features: discussion of other features of the optimized PMIC is beyond the scope of this document.

When VSYS is applied, the DA9063L-A automatically performs a power on/off sequence that is customized to the requirements of the TCC8030 SoC. A reset function is also de-asserted after completion of the power on sequence.

For further information on the DA9063L-A please refer to the datasheets available via your local Dialog sales office.

For information about Telechips TCC8030 SoC, please refer to Telechips website:

<https://www.telechips.com/eng/product/automotive.php>

DA9063L-A Power Management for TCC8030 Platform

2 Telechips TCC8030 SoC Description

Telechips TCC8030 is a platform for automotive systems with an SoC containing up to 7 processors (ARM®Cortex®-A7 Quad Core, ARM Cortex-A7 Single and ARM Cortex-M4) and Mali™-400 and GC300 GPUs.

Figure 1 shows a typical system block diagram of the Telechips TCC8030 application. The embedded cores require suitable power management that is readily achieved using the Dialog DA9063L-A.

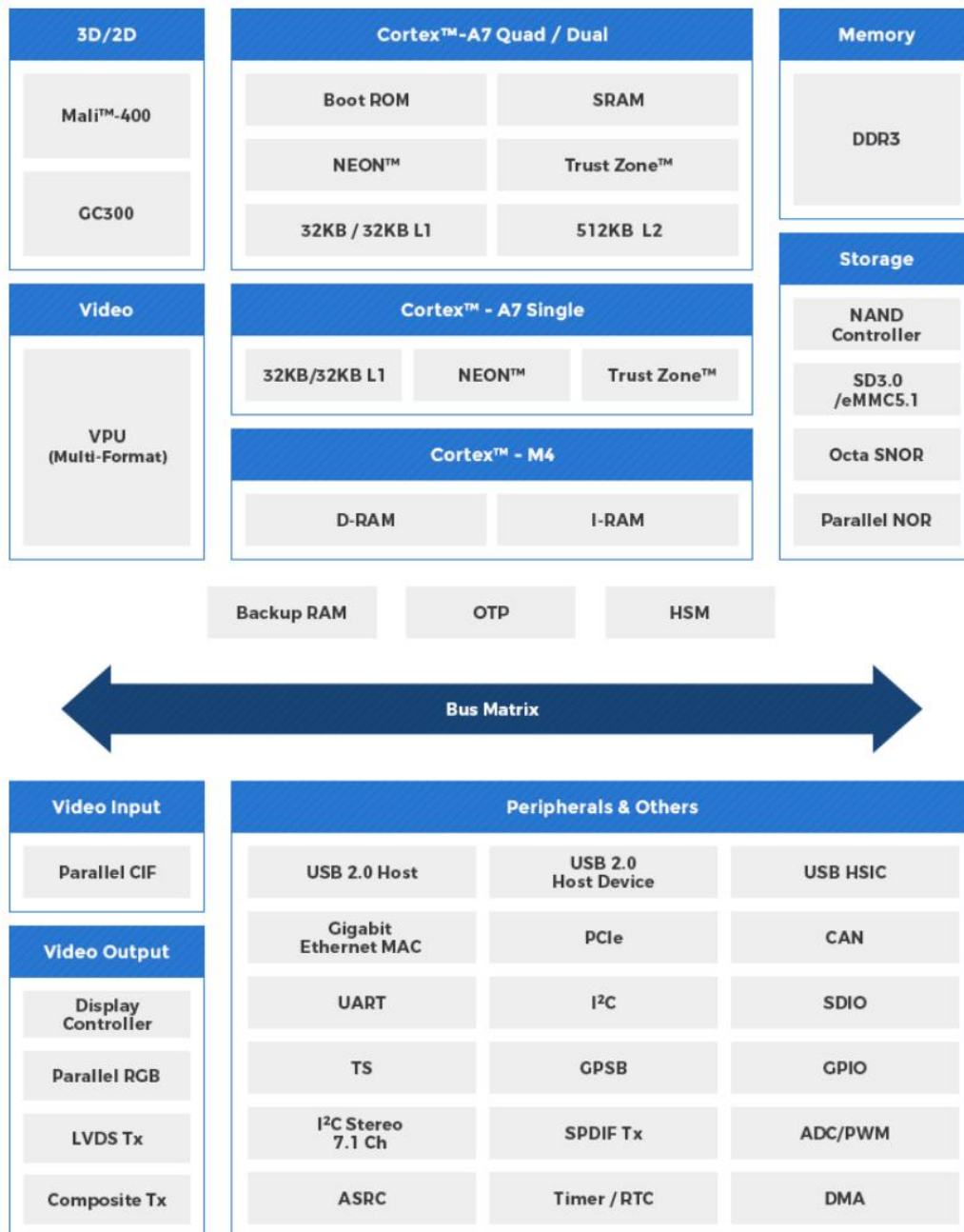


Figure 1: Telechips TCC8030 Block Diagram

## DA9063L-A Power Management for TCC8030 Platform

### 3 DA9063L-A Description

The DA9063L-A, see [Figure 2](#), is a high-current system PMIC suitable for dual- and quad-core processors that require up to 5 A core processor supply. The DA9063L-A contains:

- Six DC-DC buck converters designed to use small external 1  $\mu$ H inductors, capable of supplying in total up to 12 A continuous output current (0.3 V to 3.3 V). The buck converters do not require external Schottky diodes; they dynamically optimize their efficiency depending on the load-current using an Automatic Sleep Mode (ASM) and incorporate pin and software controlled DVC to support processor load adaptive adjustment of the supply voltage. In addition BuckPro includes the facility to implement VTT memory bus termination if required.
- Five [SmartMirror™](#) programmable low-dropout (LDO) regulators rated up to 300 mA. All support remote capacitor placement and can operate from low 1.5 V/1.8 V input supplies. This allows these LDOs to be cascaded with (in other words: supplied by) a suitable buck supply to improve overall system efficiency.
- DA9063L-A provides up to 16 flexible GPIO pins.

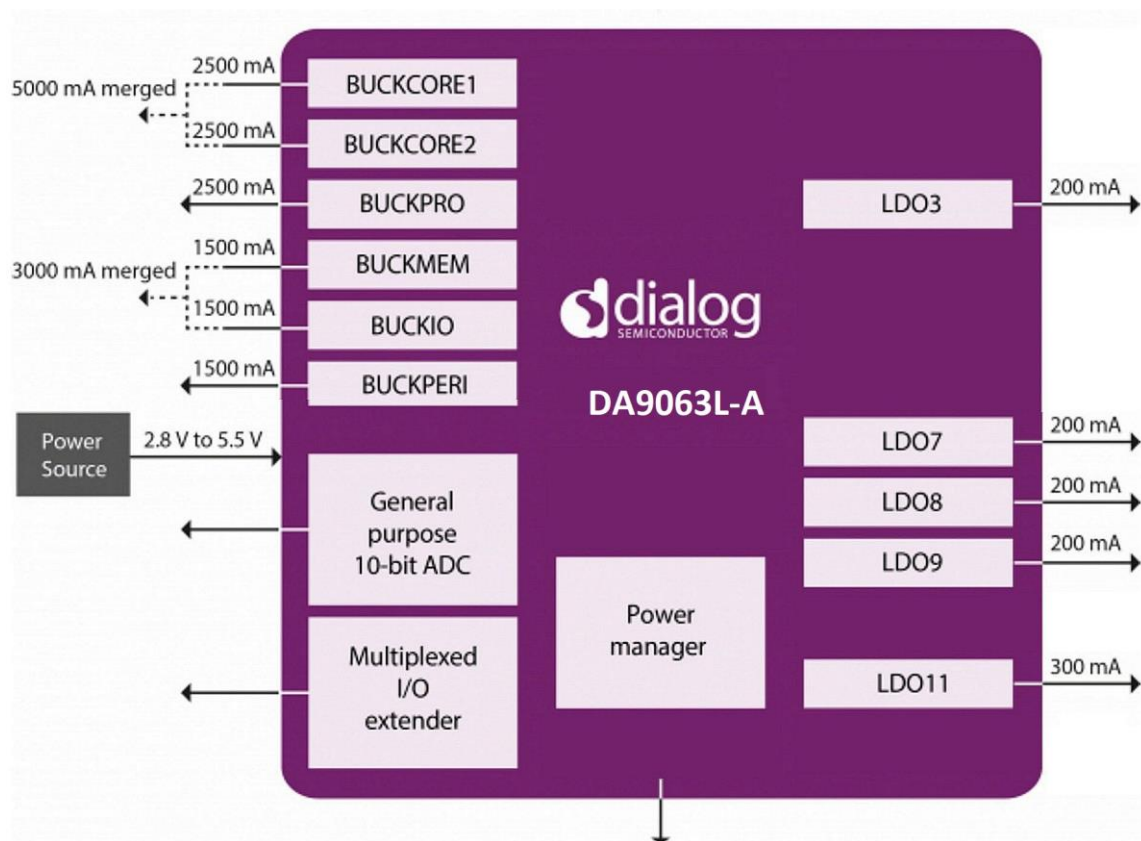


Figure 2: DA9063L-A System Block Diagram

## DA9063L-A Power Management for TCC8030 Platform

### 4 TCC8030 SoC Power Requirements

Several power domains in the TCC8030 SoC platform require precise voltage management for reliable system operation:

**Table 1: DA9063L-A Regulator Mappings to TCC8030 SoC**

Dolphin+				DA9063L-A					Notes
Domain name	Voltage Range			Power on Slot	Power off Slot	Regulator	Vin Source	Vin Voltage (V)	
	Min	Typ	Max						
CPU_0P9V	0.86	0.92	0.95	3	4	BuckCore1	PMIC_VSYS	5.0V	
VCORE_0P8V	0.76	0.82	0.84	2	5	BuckCore2	PMIC_VSYS	5.0V	
CPU_0P8V	0.76	0.82	0.95	3	4	BuckPro	PMIC_VSYS	5.0V	
CPU_IO_1P8V	1.70	1.80	1.90	4	3	BuckMem	PMIC_VSYS	5.0V	
CPU_IO_3P3V	3.00	3.30	3.60	6	1	BuckIO	PMIC_VSYS	5.0V	
MEM_1P1V	1.05	1.12	1.16	6	1	BuckPeri	PMIC_VSYS	5.0V	
PERI_3P3V	1.7	1.8 / 3.3	3.60	6	1	LDO3	PMIC_VSYS	5.0V	
CPU_1P2V	1.14	1.20	1.26	5	2	LDO7	PMIC_VSYS	5.0V	
MEM_1P8V	1.70	1.80	1.90	5	2	LDO8	PMIC_VSYS	5.0V	Bypass Mode
PMIC_IO_3P3V	3.00	3.30	3.60	1	6	LDO9	PMIC_VSYS	5.0V	
eMMC_3V3	3.00	3.30	3.60	6	1	LDO11	PMIC_VSYS	5.0V	Bypass Mode

DA9063L-A Power Management for TCC8030 Platform

5 TCC8030 SoC Power Tree System Diagram

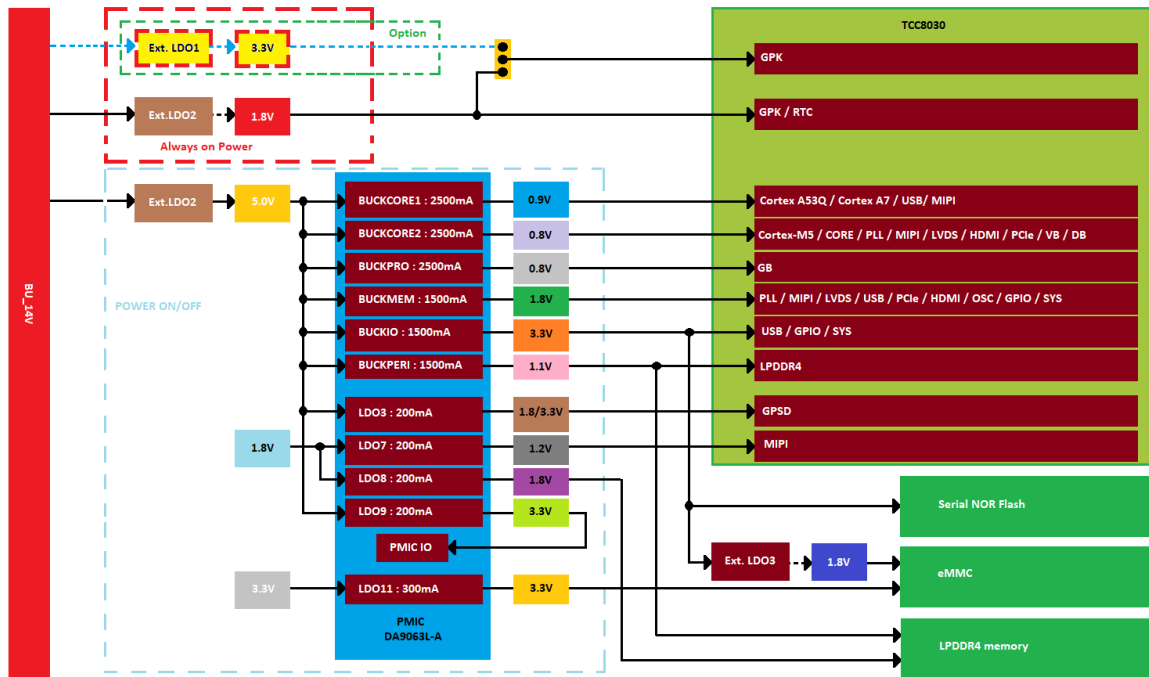


Figure 3: Telechips TCC8030 SoC and PMIC Interconnections



DA9063L-A Power Management for TCC8030 Platform

6 PMIC Schematic for TCC8030 Reference Board

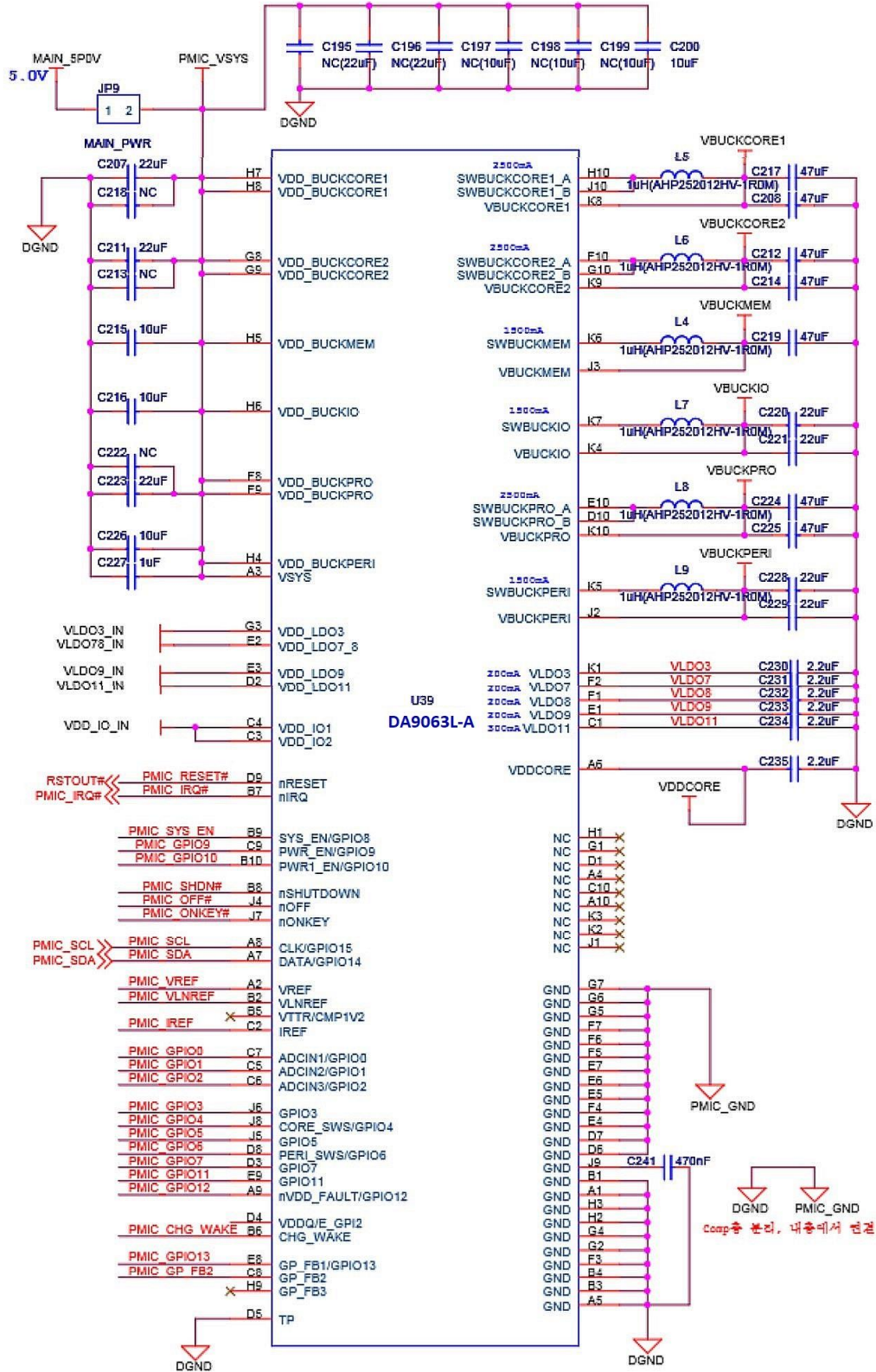


Figure 4: PMIC Schematic for TCC8030 Reference Board

DA9063L-A Power Management for TCC8030 Platform

\* Place these parts to PMIC as close as possible

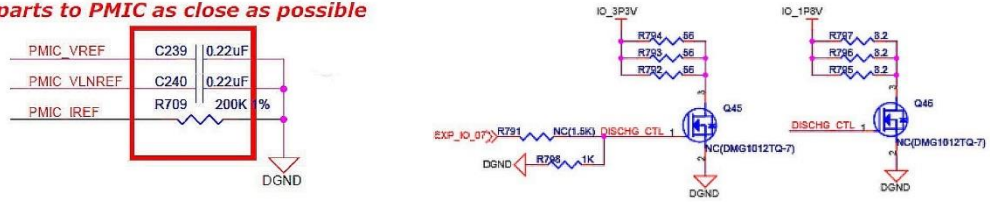


Figure 5: External Components for TCC8030 Reference Board

7 DA9063L-A Reference Design BOM

Table 2: Reference Design BOM

Reference	Value	Tolerance	Rating	Dielectric	Manufacturer	Part Number
C217, C208, C212, C214, C219, C224, C225	47u	+/-20 %	4 V	X5R		
L4, L5, L6, L7, L8, L9	1u	+/-20 %	3.5 A Isat		TDK	TFM252010 A-1R0M
C227	1u	+/-10 %	10 V	X5R		
C215, C216, C226	10u	+/-10 %	10 V	X7R		
C207, C211, C223	22u	+/-20 %	10 V	X5R		
C239	220n	+/-20 %	6.3 V	X5R		
C230, C231, C232, C233, C234, C235, C240	2u2	+/-20 %	6.3V	X5R		
R709	200k	+/-1 %	0.063 W			

## DA9063L-A Power Management for TCC8030 Platform

### 8 DA9063L-A GPIO Functions for TCC8030

**Table 3: DA9063L-A**

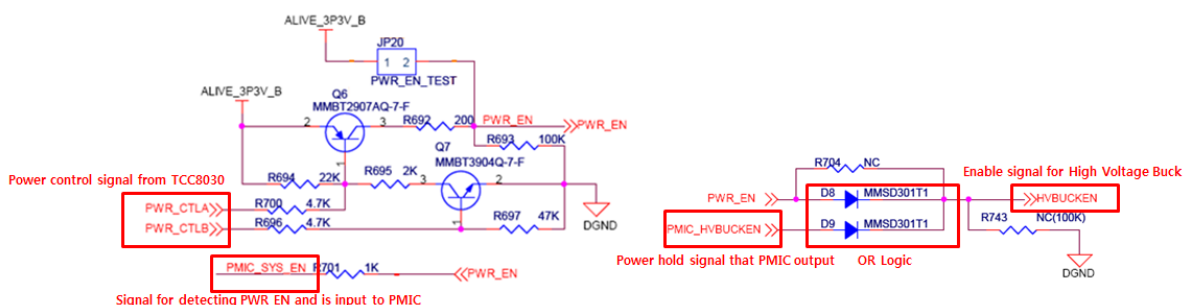
Name	In/Out	EVB Function	Description
PMIC_GPIO0	O	DXB2_RST#	Can be used for other function
PMIC_GPIO1	O	DXB_PD1	Can be used for other function
PMIC_GPIO2	O	HVBUCK_EN	Recommended for power sequence – Note 1
PMIC_GPIO3	O	DXB_ON	Can be used for other function
PMIC_GPIO4	O	USB30_PWR_CTL	Can be used for other function
PMIC_GPIO5	O	USB20H_PWR_CTL	Can be used for other function
PMIC_GPIO6	O	USBOTG_PWR_CTL	Can be used for other function
PMIC_GPIO7	O	DISCHG_CTL	Must be used for discharging function. Leave unconnected if not used. – Note 2
PMIC_GPIO8	1	PWR_EN_DET	Recommended for power sequence – Note 1
PMIC_GPIO9	0	SYS_PWR_EN	Recommended for power sequence. This signal is included in the power sequence and used to enable power for peripheral device.
PMIC_GPIO10	0	DISP3_LCD_ON	Can be used for other function
PMIC_GPIO11	0	DXB_PD0	Can be used for other function
PMIC_GPIO12	0	DXB0_RST# / XM_RESET#	Can be used for other function
PMIC_GPIO13	0	DXB1_RST# / XM_SHDN	Can be used for other function

**Note 1** Refer to Section 9: [Power On/Off Sequence for TCC8030](#) Based on Power On/Off Sequence for TCC8030 Based on DA9063L-A.

**Note 2** Refer to Section 10: [PMIC GPIO7 Setting for Discharging Function](#).

## DA9063L-A Power Management for TCC8030 Platform

### 9 Power On/Off Sequence for TCC8030 Based on DA9063L-A



#### 9.1 Power On and Wake-Up

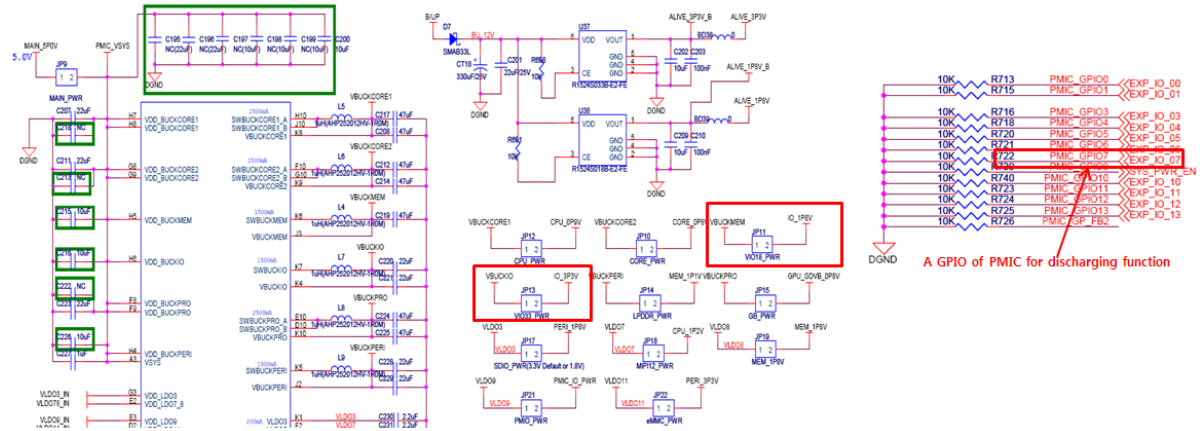
1. **PWR\_CTLA** & **PWR\_CTLB** is controlled by TCC8030 when power on and wake up.
2. **PWR\_EN** is logical High.
3. **HVBUCKEN** is logical High by **PWR\_EN**:High with OR logic. (**PWR\_EN**: “High” OR **PMIC\_HVBUCKEN**: “Low” = High)
4. High Voltage Buck is turned on.
5. PMIC is turned on and **PMIC\_HVBUCKEN** is logical High.
6. System is turned on.

#### 9.2 Power Off and Power Down

1. **PWR\_CTLA** & **PWR\_CTLB** is controlled by TCC8030 when power off and power down.
2. **PWR\_EN** is logical Low.
3. PMIC detect **PMIC\_SYS\_EN**: Low by **PWR\_EN**.  
PMIC process power off sequence. At this time High Voltage BUCK is still turned on by **PMIC\_HVBUCKEN** High.
4. PMIC make **HVBUCKEN** Low after complete power off sequence.
5. **HVBUCKEN** is logical Low by **PMIC\_HVBUCKEN**: Low with OR logic.  
(**PWR\_EN**: “Low” OR **PMIC\_HVBUCKEN**: “Low” = Low)
6. High Voltage Buck is turned off and then System is Power off or down status.

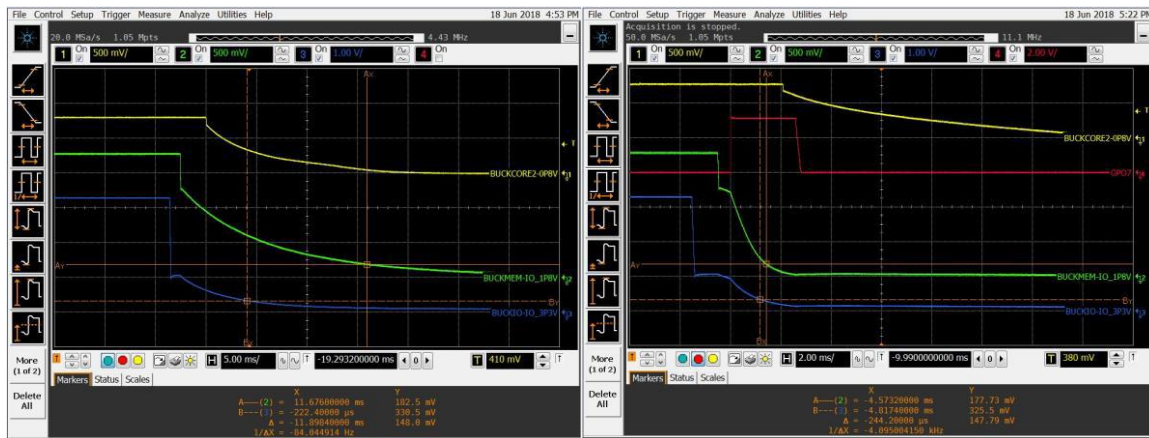
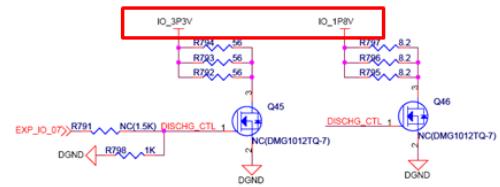
## DA9063L-A Power Management for TCC8030 Platform

### 10 PMIC GPIO7 Setting for Discharging Function



- Q45 and Q46 help to discharge the IO power of the TCC8030
- PMIC GPIO7 is used to turn on the Q25 and Q46.

- PMIC GPIO7 must be used for discharging function.
- If not used as the function, open.



If the discharge function is used, IO\_1P8V and IO\_3P3V will be less than 10% of their respective output voltage before BUCKCORE2-0P8V is disabled.

DA9063L-A Power Management for TCC8030 Platform

11 DA9063L-A Power Mode Transition

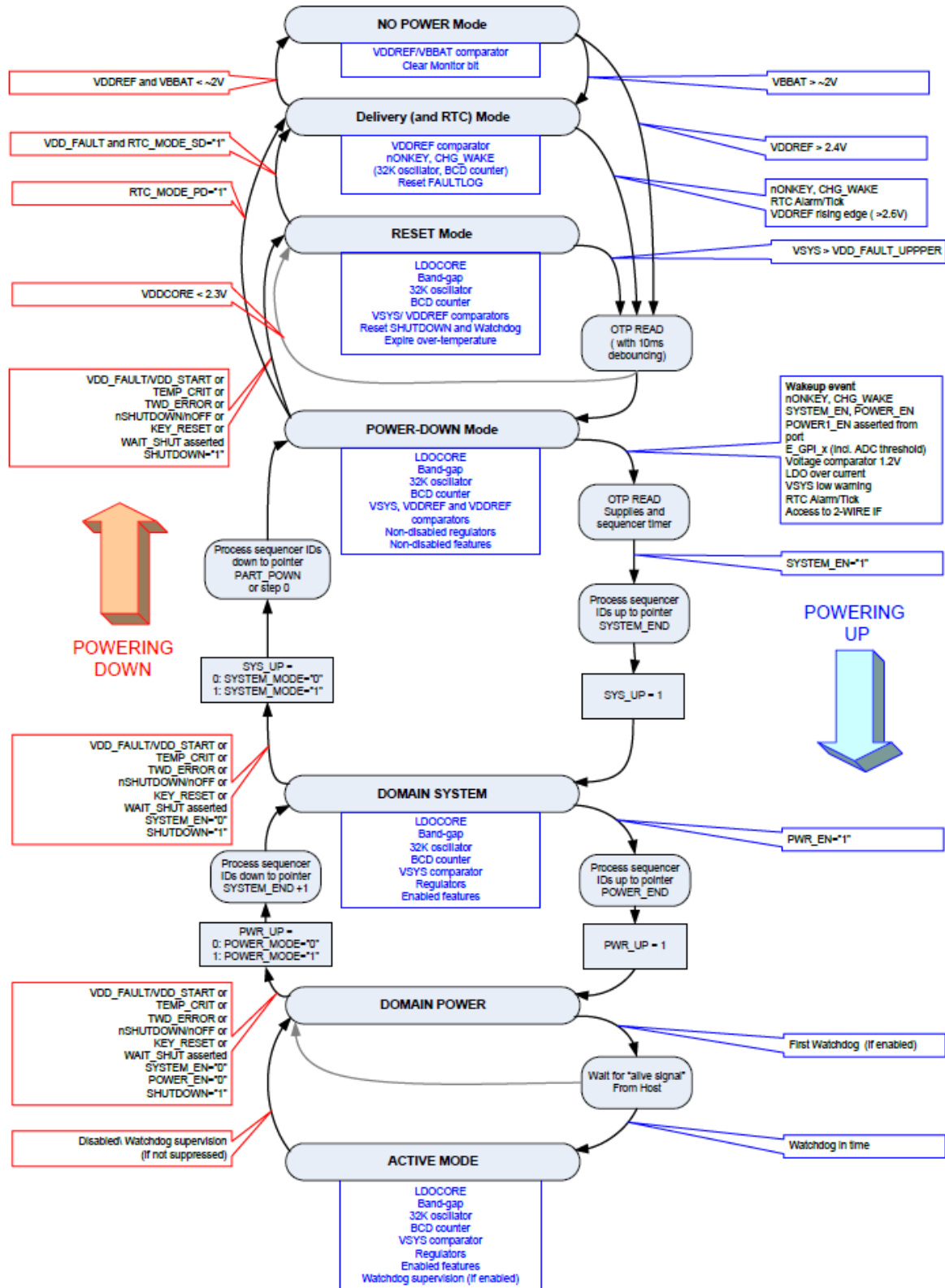


Figure 6: DA9063L-A Power Mode Transition

DA9063L-A Power Management for TCC8030 Platform

12 DA9063L-A Sequencer Configuration for TCC8030

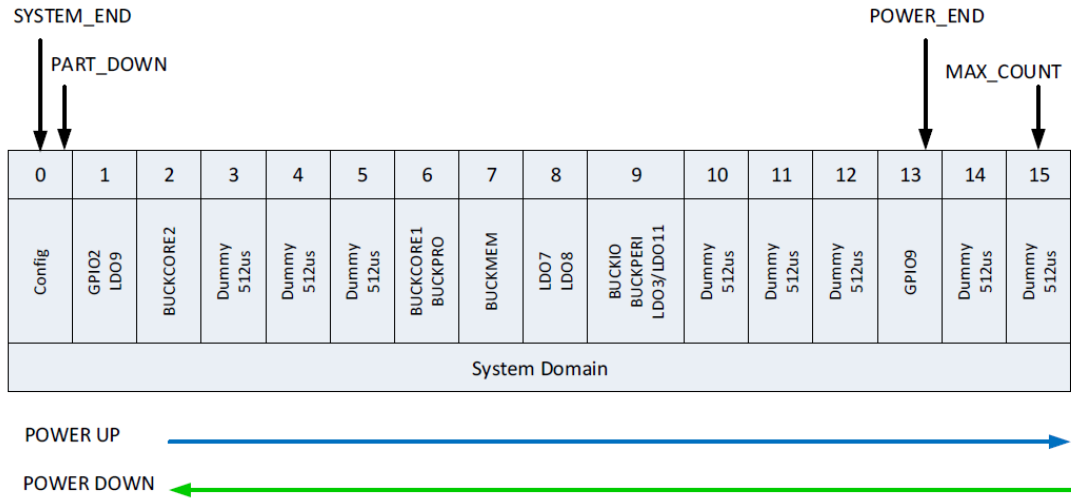


Figure 7: DA9063L-A Sequencer Configuration for TCC8030

DA9063L-A Power Management for TCC8030 Platform

13 DA9063L-A Power-On Sequence for TCC8030

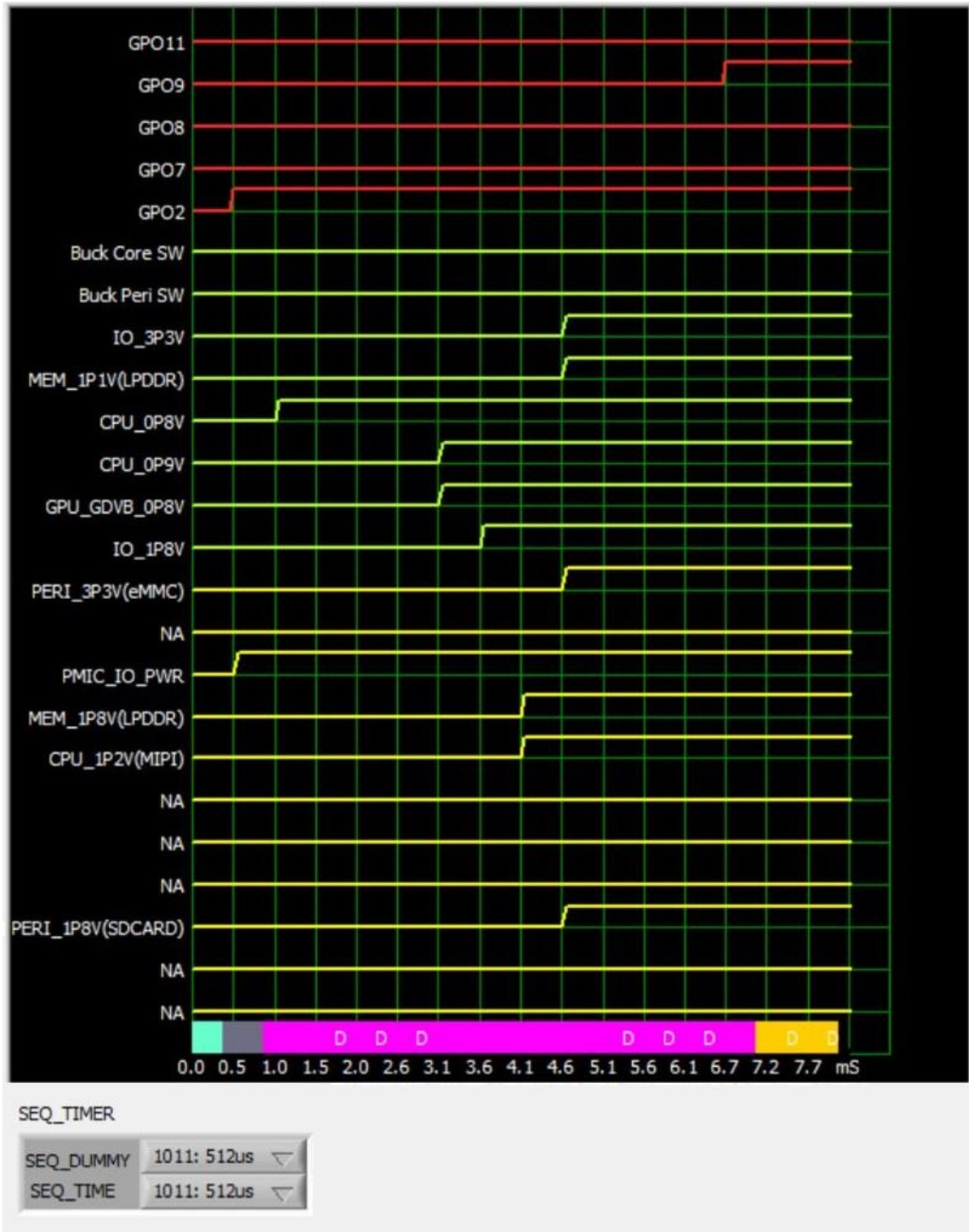


Figure 8: TCC8030 Power Up Sequence



## DA9063L-A Power Management for TCC8030 Platform

### 14 DA9063L-A Register Map

#### 14.1 GPIO Control

Table 4: GPIO0-1 Control

Register Address	Bit	Set	Type	Label	Description
0x15 GPIO0-1	7	1	R/W	GPIO1_WEN	0: Passive to active transition triggers a wakeup 1: Wakeup suppressed
	6	0	R/W	GPIO1_TYPE	0: GPI: active low GPO: supplied from VDD_IO1 1: GPI: active high GPO: supplied from VDD_IO2
	5	1	R/W	GPIO1_PIN	PIN assigned to 00: ADCIN2/1.2 V comparator 01: GPI (optional regulator HW control) 10: GPO mode controlled (Open drain) 11: GPO mode controlled (Push-pull)
	4	1	R/W		
	3	1	R/W	GPIO0_WEN	0: Passive to active transition triggers a wakeup 1: Wakeup suppressed
	2	0	R/W	GPIO0_TYPE	0: GPI: active low GPO: supplied from VDD_IO1 1: GPI: active high GPO: supplied from VDD_IO2
	1	1	R/W	GPIO0_PIN	PIN assigned to 00: ADCIN1 01: GPI (optional regulator HW control) 10: GPO mode controlled (Open drain) 11: GPO mode controlled (Push-pull)
	0	1	R/W		

Table 5: GPIO2-3 Control

Register Address	Bit	Set	Type	Label	Description
0x16 GPIO2-3	7	1	R/W	GPIO3_WEN	0: Passive to active transition triggers a wakeup 1: Wakeup suppressed
	6	0	R/W	GPIO3_TYPE	0: GPI: active low GPO: supplied from VDD_IO1 1: GPI: active high GPO: supplied from VDD_IO2
	5	1	R/W	GPIO3_PIN	PIN assigned to 00: ADCIN2/1.2 V comparator 01: GPI (optional regulator HW control) 10: GPO mode controlled (Open drain) 11: GPO mode controlled (Push-pull)
	4	1	R/W		
	3	1	R/W	GPIO2_WEN	0: Passive to active transition triggers a wakeup 1: Wakeup suppressed
	2	0	R/W	GPIO2_TYPE	0: GPI: active low GPO: supplied from VDD_IO1 1: GPI: active high GPO: supplied from VDD_IO2
	1	1	R/W	GPIO2_PIN	PIN assigned to 00: ADCIN3 01: GPI (optional regulator HW control) 10: GPO Sequencer controlled (Push-pull) 11: GPO mode controlled (Push-pull)
	0	0	R/W		

## DA9063L-A Power Management for TCC8030 Platform

**Table 6: GPIO4-5 Control**

Register Address	Bit	Set	Type	Label	Description
0x17 GPIO4-5	7	1	R/W	GPIO5_WEN	0: Passive to active transition triggers a wakeup 1: Wakeup suppressed
	6	0	R/W	GPIO5_TYPE	0: GPI: active low GPO: supplied from VDD_IO1 1: GPI: active high GPO: supplied from VDD_IO2
	5	1	R/W	GPIO5_PIN	PIN assigned to 00: Reserved 01: GPI (optional regulator HW control) 10: GPO mode controlled (Open drain) 11: GPO mode controlled (Push-pull)
	4	1	R/W		
	3	1	R/W	GPIO4_WEN	0: Passive to active transition triggers a wakeup 1: Wakeup suppressed
	2	0	R/W	GPIO4_TYPE	0: GPI: active low GPO: supplied from VDD_IO1 1: GPI: active high GPO: supplied from VDD_IO2
	1	1	R/W	GPIO4_PIN	PIN assigned to 00: CORE_SWS 01: GPI 10: GPO mode controlled (Open drain) 11: GPO mode controlled (Push-pull)
	0	1	R/W		

**Table 7: GPIO6-7 Control**

Register Address	Bit	Set	Type	Label	Description
0x18 GPIO6-7	7	1	R/W	GPIO7_WEN	0: Passive to active transition triggers a wakeup 1: Wakeup suppressed
	6	0	R/W	GPIO7_TYPE	0: GPI: active low GPO: supplied from VDD_IO1 1: GPI: active high GPO: supplied from VDD_IO2
	5	1	R/W	GPIO7_PIN	PIN assigned to 00: Reserved 01: GPI 10: GPO Sequencer controlled (Push-pull) 11: GPO mode controlled (Push-pull)
	4	0	R/W		
	3	1	R/W	GPIO6_WEN	0: Passive to active transition triggers a wakeup 1: Wakeup suppressed
	2	0	R/W	GPIO6_TYPE	0: GPI: active low GPO: supplied from VDD_IO1 1: GPI: active high GPO: supplied from VDD_IO2
	1	1	R/W	GPIO6_PIN	PIN assigned to 00: PERI_SWS 01: GPI 10: GPO mode controlled (Open drain) 11: GPO mode controlled (Push-pull)
	0	1	R/W		

## DA9063L-A Power Management for TCC8030 Platform

**Table 8: GPIO8-9 Control**

Register Address	Bit	Set	Type	Label	Description
0x19 GPIO8-9	7	1	R/W	GPIO9_WEN	0: Passive to active transition triggers a wakeup 1: Wakeup suppressed
	6	1	R/W	GPIO9_TYPE	0: GPI: active low GPO: supplied from VDD_IO1 1: GPI: active high GPO: supplied from VDD_IO2
	5	1	R/W	GPIO9_PIN	PIN and status register bit assigned to 00: GPI with PWR_EN 01: GPI 10: GPO Sequencer controlled (Push-pull) 11: GPO mode controlled (Push-pull)
	4	0	R/W		
	3	0	R/W	GPIO8_WEN	0: Passive to active transition triggers a wakeup 1: Wakeup suppressed
	2	1	R/W	GPIO8_TYPE	0: GPI: active low GPO: supplied from VDD_IO1 1: GPI: active high GPO: supplied from VDD_IO2
	1	0	R/W	GPIO8_PIN	PIN and status register bit assigned to 00: GPI with SYS_EN 01: GPI 10: GPO Sequencer controlled (Push-pull) 11: GPO mode controlled (Push-pull)
	0	0	R/W		

**Table 9: GPIO10-11 Control**

Register Address	Bit	Set	Type	Label	Description
0x1A GPIO10-11	7	1	R/W	GPIO11_WEN	0: Passive to active transition triggers a wakeup 1: Wakeup suppressed
	6	1	R/W	GPIO11_TYPE	0: GPI: active low GPO: supplied from VDD_IO1 1: GPI: active high GPO: supplied from VDD_IO2
	5	1	R/W	GPIO11_PIN	PIN assigned to 00: GPO (Open drain, with optional blinking) 01: GPI 10: GPO Sequencer controlled (Push-pull) 11: GPO mode controlled (Push-pull)
	4	1	R/W		
	3	1	R/W	GPIO10_WEN	0: Passive to active transition triggers a wakeup 1: Wakeup suppressed
	2	1	R/W	GPIO10_TYPE	0: GPI: active low GPO: supplied from VDD_IO1 1: GPI: active high GPO: supplied from VDD_IO2
	1	1	R/W	GPIO10_PIN	PIN assigned to 00: GPI with PWR_EN 01: GPI 10: GPO (Open drain) 11: GPO mode controlled (Push-pull)
	0	1	R/W		

## DA9063L-A Power Management for TCC8030 Platform

**Table 10: GPIO12-13 Control**

Register Address	Bit	Set	Type	Label	Description
0x1B GPIO12-13	7	1	R/W	GPIO13_WEN	0: Passive to active transition triggers a wakeup 1: Wakeup suppressed
	6	1	R/W	GPIO13_TYPE	0: GPI: active low GPO: supplied from VDD_IO1 1: GPI: active high GPO: supplied from VDD_IO2
	5	1	R/W	GPIO13_PIN	0: GPI: active low GPO/GP_FB1: supplied from external/VDD_IO1
	4	1	R/W		1: GPI: active high GPO/GP_FB1: supplied from VDD_IO2
	3	1	R/W	GPIO12_WEN	0: Passive to active transition triggers a wakeup 1: Wakeup suppressed
	2	1	R/W	GPIO12_TYPE	0: GPI: active low GPO/ nVDD_FAULT/VSYS monitor: supplied from VDD_IO1 1: GPI: active high GPO/DD_FAULT/VSYS monitor: supplied from VDD_IO2
	1	1	R/W	GPIO12_PIN	PIN assigned to
	0	1	R/W		00: nVDD_FAULT (Push-pull) 01: GPI 10: GPO controlled by the state of VSYS monitor (Push-pull) 11: GPO mode controlled (Push-pull)

**Table 11: GPIO14-15 Control**

Register Address	Bit	Set	Type	Label	Description
0x1C GPIO14-15	7	1	R/W	GPIO15_WEN	0: Passive to active transition triggers a wakeup 1: Wakeup suppressed
	6	1	R/W	GPIO15_TYPE	0: GPI: active low GPO: supplied from VDD_IO1 1: GPI: active high GPO: supplied from VDD_IO2
	5	1	R/W	GPIO15_PIN	PIN assigned to
	4	1	R/W		00: GPO (Open drain, with optional blinking) 01: GPI 10: CLK (configured via GPIO14_PIN) 11: GPO mode controlled (Open drain)
	3	1	R/W	GPIO14_WEN	0: Passive to active transition triggers a wakeup 1: Wakeup suppressed
	2	1	R/W	GPIO14_TYPE	0: GPI: active low GPO: supplied from external/VDD_IO1 DATA/CLK supplied from VDD_IO1 1: GPI: active high GPO: supplied from VDD_IO2 DATA/CLK supplied from VDD_IO2
	1	1	R/W	GPIO14_PIN	PIN assigned to

## DA9063L-A Power Management for TCC8030 Platform

Register Address	Bit	Set	Type	Label	Description
	0	1	R/W		00: GPO (Open drain, with optional blinking) 01: GPI 10: DATA (assigns GPIO15_PIN to CLK) 11: GPO mode controlled (Push-pull)

**Table 12: GPIO- MODE0-7**

Register Address	Bit	Set	Type	Label	Description
0x1D GPIO- MODE0-7	7	1	R/W	GPIO7_MODE	0: GPI: debouncing off GPO: Sets output to low level (active low for sequencer control) 1: GPI: debouncing on GPO: Sets output to high level (active high for sequencer control)
	6	0	R/W	GPIO6_MODE	0: GPI: debouncing off GPO: Sets output to low level (active low for sequencer control) 1: GPI: debouncing on GPO: Sets output to high level (active high for sequencer control)
	5	0	R/W	GPIO5_MODE	0: GPI: debouncing off GPO: Sets output to low level 1: GPI: debouncing on GPO: Sets output to high level
	4	0	R/W	GPIO4_MODE	0: GPI: debouncing off GPO: Sets output to low level (active low for sequencer control) 1: GPI: debouncing on GPO: Sets output to high level (active high for sequencer control)
	3	0	R/W	GPIO3_MODE	0: GPI: debouncing off GPO: Sets output to low level (active low for sequencer control) 1: GPI: debouncing on GPO: Sets output to high level (active high for sequencer control)
	2	1	R/W	GPIO2_MODE	0: GPI: debouncing off GPO: Sets output to low level (active low for sequencer control) 1: GPI: debouncing on GPO: Sets output to high level (active high for sequencer control)
	1	0	R/W	GPIO1_MODE	0: GPI: debouncing off GPO: Sets output to low level 1: GPI: debouncing on GPO: Sets output to high level
	0	0	R/W	GPIO0_MODE	0: GPI: debouncing off GPO: Sets output to low level 1: GPI: debouncing on GPO: Sets output to high level

**Table 13: GPIO- MODE8-15**

Register Address	Bit	Set	Type	Label	Description
0x1E GPIO- MODE8- 15	7	0	R/W	GPIO15_MODE	0: GPI: debouncing off GPO: Sets output to low level (active high for blinking) 1: GPI: debouncing on GPO: Sets output to high level (active low for blinking)

**DA9063L-A Power Management for TCC8030  
Platform**

Register Address	Bit	Set	Type	Label	Description
	6	0	R/W	GPIO14_MODE	0: GPI: debouncing off GPO: Sets output to low level (active high for blinking) 1: GPI: debouncing on GPO: Sets output to high level (active low for blinking)
	5	0	R/W	GPIO13_MODE	0: GPI: debouncing off GPO: Sets output to low level (active low for GP_FB1) 1: GPI: debouncing on GPO: Sets output to high level (active high for GP_FB1)
	4	0	R/W	GPIO12_MODE	0: GPI: debouncing off GPO: Sets output to low level (active low for nVDD_FAULT, VSYS monitor state) 1: GPI: debouncing on GPO: Sets output to high level (active high for nVDD_FAULT, VSYS monitor state)
	3	0	R/W	GPIO11_MODE	0: GPI: debouncing off GPO: Sets output to low level (active high for blinking) 1: GPI: debouncing on GPO: Sets output to high level (active low for blinking)
	2	0	R/W	GPIO10_MODE	0: GPI/PWR1_EN: debouncing off GPO: Sets output to low level 1: GPI/PWR1_EN: debouncing on GPO: Sets output to high level
	1	1	R/W	GPIO9_MODE	0: GPI/PWR_EN: debouncing off GPO: Sets output to low level (active low for sequencer control) 1: GPI/PWR_EN debouncing on GPO: Sets output to high level (active high for sequencer control)
	0	1	R/W	GPIO8_MODE	0: GPI/SYS_EN: debouncing off GPO: Sets output to low level 1: GPI/SYS_EN: debouncing on GPO: Sets output to high level

## DA9063L-A Power Management for TCC8030 Platform

### 14.2 Power Sequencer

**Table 14: SEQ\_TIMER**

Register Address	Bit	Set	Type	Label	Description
0x82 SEQ_TIMER	7	1	R/W	SEQ_DUMMY	1010: 448 $\mu$ s
	6	0	R/W		1011: 512 $\mu$ s
	5	1	R/W		1100: 1.024 ms
	4	1	R/W		1101: 2.048 ms
	3	1	R/W	SEQ_TIME	1110: 4.096 ms
	2	0	R/W		1111: 8.192 ms
	1	1	R/W		1001: 384 $\mu$ s
	0	1	R/W		1010: 448 $\mu$ s

**Table 15: ID\_4\_3**

Register Address	Bit	Set	Type	Label	Description	
0x84 ID_4_3	7	0	R/W	Reserved		
	6	0	R/W			
	5	0	R/W			
	4	0	R/W			
	3	1	R/W	LDO3_STEP		Power sequencer time slot for LDO3 control
	2	0	R/W			
	1	0	R/W			
	0	1	R/W			

**Table 16: ID\_8\_7**

Register Address	Bit	Set	Type	Label	Description	
0x86 ID_8_7	7	1	R/W	LDO8_STEP	Power sequencer time slot for LDO8 control	
	6	0	R/W			
	5	0	R/W			
	4	0	R/W			
	3	1	R/W	LDO7_STEP		Power sequencer time slot for LDO7 control
	2	0	R/W			
	1	0	R/W			
	0	0	R/W			

## DA9063L-A Power Management for TCC8030 Platform

Table 17: ID\_10\_9

Register Address	Bit	Set	Type	Label	Description
0x87 ID_10_9	7	0	R/W	Reserved	Power sequencer time slot for LDO9 control
	6	0	R/W		
	5	0	R/W		
	4	0	R/W		
	3	0	R/W	LDO9_STEP	
	2	0	R/W		
	1	0	R/W		
	0	1	R/W		

Table 18: ID\_12\_11

Register Address	Bit	Set	Type	Label	Description
0x88 ID_12_11	7	0	R/W	PD_DIS_STEP	Power sequencer time slot for control of blocks to be disabled/paused during POWERDOWN mode
	6	0	R/W		
	5	0	R/W		
	4	0	R/W		
	3	1	R/W	LDO11_STEP	
	2	0	R/W		
	1	0	R/W		
	0	1	R/W		

Table 19: ID\_14\_13

Register Address	Bit	Set	Type	Label	Description
0x89 ID_14_13	7	0	R/W	BUCKCORE2_STEP	Power sequencer time slot for BUCKCORE2 control (disabled in BUCKCORE dual phase mode)
	6	0	R/W		
	5	1	R/W		
	4	0	R/W		
	3	0	R/W	BUCKCORE1_STEP	
	2	1	R/W		
	1	1	R/W		
	0	0	R/W		



## DA9063L-A Power Management for TCC8030 Platform

Table 20: ID\_16\_15

Register Address	Bit	Set	Type	Label	Description	
0x8A ID_16_15	7	1	R/W	BUCKIO_STEP	Power sequencer time slot for BUCKIO control	
	6	0	R/W			
	5	0	R/W			
	4	1	R/W			
	0x8A ID_16_15	3	0	R/W	BUCKPRO_STEP	Power sequencer time slot for BUCKPRO control
		2	1	R/W		
		1	1	R/W		
		0	0	R/W		

Table 21: ID\_18\_17

Register Address	Bit	Set	Type	Label	Description	
0x8B ID_18_17	7	1	R/W	BUCKPERI_STEP	Power sequencer time slot for BUCKPERI control	
	6	0	R/W			
	5	0	R/W			
	4	1	R/W			
	0x8B ID_18_17	3	0	R/W	BUCKMEM_STEP	Power sequencer time slot for BUCKMEM control
		2	1	R/W		
		1	1	R/W		
		0	1	R/W		

Table 22: ID\_22\_21

Register Address	Bit	Set	Type	Label	Description	
0x8D ID_22_21	7	0	R/W	GP_FALL1_STEP	Power sequencer time slot for falling edge control of GPO2	
	6	0	R/W			
	5	0	R/W			
	4	0	R/W			
	0x8D ID_22_21	3	0	R/W	GP_RISE1_STEP	Power sequencer time slot for rising edge control of GPO2
		2	0	R/W		
		1	0	R/W		
		0	1	R/W		

## DA9063L-A Power Management for TCC8030 Platform

**Table 23: ID\_24\_23**

Register Address	Bit	Set	Type	Label	Description
0x8E ID_24_23	7	0	R/W	GP_FALL2_STEP	Power sequencer time slot for falling edge control of GPO7
	6	1	R/W		
	5	1	R/W		
	4	0	R/W		
	3	0	R/W	GP_RISE2_STEP	Power sequencer time slot for rising edge control of GPO7
	2	0	R/W		
	1	0	R/W		
	0	0	R/W		

**Table 24: ID\_28\_27**

Register Address	Bit	Set	Type	Label	Description
0x90 ID_28_27	7	0	R/W	GP_FALL4_STEP	Power sequencer time slot for falling edge control of GPO9
	6	0	R/W		
	5	0	R/W		
	4	0	R/W		
	3	1	R/W	GP_RISE4_STEP	Power sequencer time slot for rising edge control of GPO9
	2	1	R/W		
	1	0	R/W		
	0	1	R/W		

## DA9063L-A Power Management for TCC8030 Platform

### 14.3 Regulator Settings

Table 25: VBCORE2-A

Register Address	Bit	Set	Type	Label	Description
0xA3 VBCORE2_A	7	0	R/W	BCORE2_SL_A	0: Configures BUCKCORE2 to Synchronous mode, when selecting A voltage settings 1: Configures BUCKCORE2 to Sleep mode, when selecting A voltage settings
	6	0	R/W	VBCORE2_A	0101000: 0.70 V, PWM Mode range
	5	1	R/W		0101001: 0.71 V
	4	1	R/W		0110100: 0.82V
	3	0	R/W		1010000: 1.10 V
	2	1	R/W		...
	1	0	R/W		1110011: 1.45 V
	0	0	R/W		1110100: 1.46 V 1110101: 1.47 V 1110110: 1.48 V 1110111: 1.49 V 1111000: 1.50 V

Table 26: VBCORE1\_A

Register Address	Bit	Set	Type	Label	Description
0xA4 VBCORE2_B	7	0	R/W	BCORE1_SL_A	0: Configures BUCKCORE1 to Synchronous mode, when selecting A voltage settings 1: Configures BUCKCORE1 to Sleep mode, when selecting A voltage settings
	6	0	R/W	VBCORE1_A	0101000: 0.70 V, PWM Mode range
	5	1	R/W		0101001: 0.71 V
	4	1	R/W		0111110: 0.92V
	3	1	R/W		1010000: 1.10 V
	2	1	R/W		...
	1	1	R/W		1110011: 1.45 V
	0	0	R/W		1110100: 1.46 V 1110101: 1.47 V 1110110: 1.48 V 1110111: 1.49 V 1111000: 1.50 V

## DA9063L-A Power Management for TCC8030 Platform

**Table 27: VBPRO\_A**

Register Address	Bit	Set	Type	Label	Description
0xA5 VBPRO_A	7	0	R/W	BPRO_SL_A	0: Configures BUCKPRO to Synchronous mode, when selecting A voltage settings 1: Configures BUCKPRO to Sleep mode, when selecting A voltage settings
	6	0	R/W	VBPRO_A	0010010: 0.71 V
	5	0	R/W		0010011: 0.72 V
	4	1	R/W		0010100: 0.73 V
	3	1	R/W		0010101: 0.74 V
	2	1	R/W		0010110: 0.75 V
	1	0	R/W		0011101: 0.82V
	0	1	R/W		1000011: 1.20 V ... 1110011: 1.68 V 1110100: 1.69 V 1110101: 1.70 V

**Table 28: VBMEM\_A**

Register Address	Bit	Set	Type	Label	Description
0xA6 VBMEM_A	7	0	R/W	BMEM_SL_A	0: Configures BUCKMEM to Synchronous mode, when selecting A voltage settings 1: Configures BUCKMEM to Sleep mode, when selecting A voltage settings
	6	0	R/W	VBMEM_A	0000000: 0.80 V
	5	1	R/W		0000001: 0.82 V
	4	1	R/W		0000010: 0.84 V
	3	0	R/W		... 0010100: 1.20 V
	2	0	R/W		0110010: 1.8V
	1	1	R/W		0111100: 2.00 V
	0	0	R/W		0111101: 2.02 V 0111110: 2.04 V 0111111: 2.06 V ...

## DA9063L-A Power Management for TCC8030 Platform

Table 29: VBIO\_A

Register Address	Bit	Set	Type	Label	Description
0xA7 VBIO_A	7	0	R/W	BIO_SL_A	0: Configures BUCKIO to Synchronous mode, when selecting A voltage settings 1: Configures BUCKIO to Sleep mode, when selecting A voltage settings
	6	1	R/W	VBIO_A	0111100: 2.00 V 0111101: 2.02 V 0111110: 2.04 V 0111111: 2.06 V 1111101: 3.3V 1111111: 3.34 V
	5	1	R/W		
	4	1	R/W		
	3	1	R/W		
	2	1	R/W		
	1	0	R/W		
	0	1	R/W		

Table 30: VBPERI\_A

Register Address	Bit	Set	Type	Label	Description
0xA8 VBPERI_A	7	0	R/W	BPERI_SL_A	0: Configures BUCKPERI to Synchronous mode, when selecting A voltage settings 1: Configures BUCKPERI to Sleep mode, when selecting A voltage settings
	6	0	R/W	VBPERI_A	0000000: 0.80 V 0000001: 0.82 V 0000010: 0.84 V 0010000: 1.12V 0110010: 1.80 V ... 0111100: 2.00 V 0111101: 2.02 V 0111110: 2.04 V 0111111: 2.06 V ...
	5	0	R/W		
	4	1	R/W		
	3	0	R/W		
	2	0	R/W		
	1	0	R/W		
	0	0	R/W		

Table 31: VLDO3\_A

Register Address	Bit	Set	Type	Label	Description
0xAB VLDO3_A	7	0	R/W	LDO3_SL_A	0: Configures LDO to half-current mode, when selecting A voltage settings 1: Configures LDO to Sleep mode, when selecting A voltage settings
	6	1	R/W	VLDO3_A	
	5	1	R/W		
	4	1	R/W		
	3	1	R/W		

**DA9063L-A Power Management for TCC8030 Platform**

Register Address	Bit	Set	Type	Label	Description
	2	0	R/W		
	1	0	R/W		
	0	0	R/W		

**Table 32: VLDO7\_A**

Register Address	Bit	Set	Type	Label	Description
0xAF VLDO7_A	7	0	R/W	LDO7_SL_A	0: Configures LDO to half-current mode, when selecting A voltage settings 1: Configures LDO to Sleep mode, when selecting A voltage settings
	6	0	R/W	Reserved	
	5	0	R/W	VLDO7_A	000100: 1.00 V
	4	0	R/W		000101: 1.05 V
	3	1	R/W		000110: 1.10 V
	2	0	R/W		000111: 1.15 V
	1	0	R/W		001000: 1.20 V
	0	0	R/W		001001: 1.25 V
			001010: 1.30 V		
			001011: 1.35 V		
				001100: 1.40 V	

**Table 33: VLDO8\_A**

Register Address	Bit	Set	Type	Label	Description
0xB0 VLDO8_A	7	0	R/W	LDO8_SL_A	0: Configures LDO to half-current mode, when selecting A voltage settings 1: Configures LDO to Sleep mode, when selecting A voltage settings
	6	0	R/W	Reserved	
	5	0	R/W	VLDO8_A	010000: 1.60 V
	4	1	R/W		010001: 1.65 V
	3	0	R/W		010010: 1.70 V
	2	1	R/W		010011: 1.75 V
	1	0	R/W		010100: 1.80 V
	0	0	R/W		010101: 1.85 V
			...		
			100010: 2.50 V		
			100011: 2.55 V		

## DA9063L-A Power Management for TCC8030 Platform

Table 34: VLDO9\_A

Register Address	Bit	Set	Type	Label	Description
0xB1 VLDO9_A	7	0	R/W	LDO9_SL_A	0: Configures LDO to half-current mode, when selecting A voltage settings 1: Configures LDO to Sleep mode, when selecting A voltage settings
	6	0	R/W	Reserved	
	5	1	R/W	VLDO9_A	101110: 3.10 V
	4	1	R/W		101111: 3.15 V
	3	0	R/W		110000: 3.20 V
	2	0	R/W		110001: 3.25 V
	1	1	R/W		110010: 3.30 V
	0	0	R/W		110011: 3.35 V
			110100: 3.40 V		
			110101: 3.45 V		
			110110: 3.50 V		

Table 35: VLDO11\_A

Register Address	Bit	Set	Type	Label	Description
0xB3 VLDO11_A	7	0	R/W	LDO11_SL_A	0: Configures LDO to half-current mode, when selecting A voltage settings 1: Configures LDO to Sleep mode, when selecting A voltage settings
	6	0	R/W	Reserved	
	5	1	R/W	VLDO11_A	101110: 3.10 V
	4	1	R/W		101111: 3.15 V
	3	0	R/W		110000: 3.20 V
	2	0	R/W		110001: 3.25 V
	1	1	R/W		110010: 3.30 V
	0	0	R/W		110011: 3.35 V
			110100: 3.40 V		
			110101: 3.45 V		
			110110: 3.50 V		

Table 36: CONFIG\_F

Register Address	Bit	Set	Type	Label	Description
0x10B CONFIG_F	7	1	R/W	LDO11_BYP	0: LDO11 is configured for regulator mode 1: LDO11 bypass mode enabled
	6	1	R/W	LDO8_BYP	0: LDO8 is configured for regulator mode 1: LDO8 bypass mode enabled
	5	0	R/W	LDO7_BYP	0: LDO7 is configured for regulator mode 1: LDO7 bypass mode enabled
	4	0	R/W	Reserved	

## DA9063L-A Power Management for TCC8030 Platform

Register Address	Bit	Set	Type	Label	Description
	3	0	R/W	LDO3_BYP	0: LDO3 is configured for regulator mode 1: LDO3 bypass mode enabled
	2	1	R/W	LDO11_AUTO	Selects LDO11 (during powering up): 0: configured from LDO11_CONF 1: enabled
	1	0	R/W	Reserved	
	0	1	R/W	LDO9_AUTO	Selects LDO9 (during powering up): 0: configured from LDO9_CONF 1: enabled

The register map describes GPIOs, power sequencer and regulator settings (BUCKs and LDOs output voltage levels and bypass mode LDOs) for the TCC8030 reference board.

All other register values are default setting and can be verified directly through I2C interface.

## 15 Conclusion

The approved OTP configuration is "DA9063L-A-1F\_Telechips\_v04\_4533.ini"



---

**DA9063L-A Power Management for TCC8030  
Platform**

**Revision History**

Revision	Date	Description
1.0	22-Oct-2019	Initial version
1.1	24-Feb-2022	File was rebranded with new logo, copyright and disclaimer

---

## DA9063L-A Power Management for TCC8030 Platform

### Status Definitions

Status	Definition
DRAFT	The content of this document is under review and subject to formal approval, which may result in modifications or additions.
APPROVED or unmarked	The content of this document has been approved for publication.

### RoHS Compliance

Dialog Semiconductor's suppliers certify that its products are in compliance with the requirements of Directive 2011/65/EU of the European Parliament on the restriction of the use of certain hazardous substances in electrical and electronic equipment. RoHS certificates from our suppliers are available on request.

## Notice

1. Descriptions of circuits, software and other related information in this document are provided only to illustrate the operation of semiconductor products and application examples. You are fully responsible for the incorporation or any other use of the circuits, software, and information in the design of your product or system. Renesas Electronics disclaims any and all liability for any losses and damages incurred by you or third parties arising from the use of these circuits, software, or information.
2. Renesas Electronics hereby expressly disclaims any warranties against and liability for infringement or any other claims involving patents, copyrights, or other intellectual property rights of third parties, by or arising from the use of Renesas Electronics products or technical information described in this document, including but not limited to, the product data, drawings, charts, programs, algorithms, and application examples.
3. No license, express, implied or otherwise, is granted hereby under any patents, copyrights or other intellectual property rights of Renesas Electronics or others.
4. You shall be responsible for determining what licenses are required from any third parties, and obtaining such licenses for the lawful import, export, manufacture, sales, utilization, distribution or other disposal of any products incorporating Renesas Electronics products, if required.
5. You shall not alter, modify, copy, or reverse engineer any Renesas Electronics product, whether in whole or in part. Renesas Electronics disclaims any and all liability for any losses or damages incurred by you or third parties arising from such alteration, modification, copying or reverse engineering.
6. Renesas Electronics products are classified according to the following two quality grades: "Standard" and "High Quality". The intended applications for each Renesas Electronics product depends on the product's quality grade, as indicated below.
  - "Standard": Computers; office equipment; communications equipment; test and measurement equipment; audio and visual equipment; home electronic appliances; machine tools; personal electronic equipment; industrial robots; etc.
  - "High Quality": Transportation equipment (automobiles, trains, ships, etc.); traffic control (traffic lights); large-scale communication equipment; key financial terminal systems; safety control equipment; etc.
- Unless expressly designated as a high reliability product or a product for harsh environments in a Renesas Electronics data sheet or other Renesas Electronics document, Renesas Electronics products are not intended or authorized for use in products or systems that may pose a direct threat to human life or bodily injury (artificial life support devices or systems; surgical implantations; etc.), or may cause serious property damage (space system; undersea repeaters; nuclear power control systems; aircraft control systems; key plant systems; military equipment; etc.). Renesas Electronics disclaims any and all liability for any damages or losses incurred by you or any third parties arising from the use of any Renesas Electronics product that is inconsistent with any Renesas Electronics data sheet, user's manual or other Renesas Electronics document.
7. No semiconductor product is absolutely secure. Notwithstanding any security measures or features that may be implemented in Renesas Electronics hardware or software products, Renesas Electronics shall have absolutely no liability arising out of any vulnerability or security breach, including but not limited to any unauthorized access to or use of a Renesas Electronics product or a system that uses a Renesas Electronics product. RENESAS ELECTRONICS DOES NOT WARRANT OR GUARANTEE THAT RENESAS ELECTRONICS PRODUCTS, OR ANY SYSTEMS CREATED USING RENESAS ELECTRONICS PRODUCTS WILL BE INVULNERABLE OR FREE FROM CORRUPTION, ATTACK, VIRUSES, INTERFERENCE, HACKING, DATA LOSS OR THEFT, OR OTHER SECURITY INTRUSION ("Vulnerability Issues"). RENESAS ELECTRONICS DISCLAIMS ANY AND ALL RESPONSIBILITY OR LIABILITY ARISING FROM OR RELATED TO ANY VULNERABILITY ISSUES. FURTHERMORE, TO THE EXTENT PERMITTED BY APPLICABLE LAW, RENESAS ELECTRONICS DISCLAIMS ANY AND ALL WARRANTIES, EXPRESS OR IMPLIED, WITH RESPECT TO THIS DOCUMENT AND ANY RELATED OR ACCOMPANYING SOFTWARE OR HARDWARE, INCLUDING BUT NOT LIMITED TO THE IMPLIED WARRANTIES OF MERCHANTABILITY, OR FITNESS FOR A PARTICULAR PURPOSE.
8. When using Renesas Electronics products, refer to the latest product information (data sheets, user's manuals, application notes, "General Notes for Handling and Using Semiconductor Devices" in the reliability handbook, etc.), and ensure that usage conditions are within the ranges specified by Renesas Electronics with respect to maximum ratings, operating power supply voltage range, heat dissipation characteristics, installation, etc. Renesas Electronics disclaims any and all liability for any malfunctions, failure or accident arising out of the use of Renesas Electronics products outside of such specified ranges.
9. Although Renesas Electronics endeavors to improve the quality and reliability of Renesas Electronics products, semiconductor products have specific characteristics, such as the occurrence of failure at a certain rate and malfunctions under certain use conditions. Unless designated as a high reliability product or a product for harsh environments in a Renesas Electronics data sheet or other Renesas Electronics document, Renesas Electronics products are not subject to radiation resistance design. You are responsible for implementing safety measures to guard against the possibility of bodily injury, injury or damage caused by fire, and/or danger to the public in the event of a failure or malfunction of Renesas Electronics products, such as safety design for hardware and software, including but not limited to redundancy, fire control and malfunction prevention, appropriate treatment for aging degradation or any other appropriate measures. Because the evaluation of microcomputer software alone is very difficult and impractical, you are responsible for evaluating the safety of the final products or systems manufactured by you.
10. Please contact a Renesas Electronics sales office for details as to environmental matters such as the environmental compatibility of each Renesas Electronics product. You are responsible for carefully and sufficiently investigating applicable laws and regulations that regulate the inclusion or use of controlled substances, including without limitation, the EU RoHS Directive, and using Renesas Electronics products in compliance with all these applicable laws and regulations. Renesas Electronics disclaims any and all liability for damages or losses occurring as a result of your noncompliance with applicable laws and regulations.
11. Renesas Electronics products and technologies shall not be used for or incorporated into any products or systems whose manufacture, use, or sale is prohibited under any applicable domestic or foreign laws or regulations. You shall comply with any applicable export control laws and regulations promulgated and administered by the governments of any countries asserting jurisdiction over the parties or transactions.
12. It is the responsibility of the buyer or distributor of Renesas Electronics products, or any other party who distributes, disposes of, or otherwise sells or transfers the product to a third party, to notify such third party in advance of the contents and conditions set forth in this document.
13. This document shall not be reprinted, reproduced or duplicated in any form, in whole or in part, without prior written consent of Renesas Electronics.
14. Please contact a Renesas Electronics sales office if you have any questions regarding the information contained in this document or Renesas Electronics products.

(Note1) "Renesas Electronics" as used in this document means Renesas Electronics Corporation and also includes its directly or indirectly controlled subsidiaries.

(Note2) "Renesas Electronics product(s)" means any product developed or manufactured by or for Renesas Electronics.

(Disclaimer Rev.5.0-1 October 2020)

## Corporate Headquarters

TOYOSU FORESIA, 3-2-24 Toyosu,  
Koto-ku, Tokyo 135-0061, Japan  
[www.renesas.com](http://www.renesas.com)

## Trademarks

Renesas and the Renesas logo are trademarks of Renesas Electronics Corporation. All trademarks and registered trademarks are the property of their respective owners.

## Contact Information

For further information on a product, technology, the most up-to-date version of a document, or your nearest sales office, please visit:  
[www.renesas.com/contact/](http://www.renesas.com/contact/)