

Analog-to-Digital Converters

Operation of a SAR-ADC Based on Charge Redistribution

Abstract

Analog-to-Digital Converters (ADCs) that convert the sampled input signal through Successive Approximation (SAR), are known as SAR-ADCs. While there are various methods of performing successive approximation, Renesas SAR-ADCs use a method known as capacitive charge redistribution.

This application note explains the functional principle of a SAR-ADC based on charge redistribution

Contents

1. Introduction	2
2. Sample Mode	2
3. Hold Mode	3
4. Redistribution Mode	3
5. Conversion Example	4
6. Timing Diagram	6
7. Revision History	7

List of Figures

Figure 1. Simplified 5-Bit SAR-ADC Principle	2
Figure 2. Sample Mode	2
Figure 3. Hold Mode	3
Figure 4. Conversion Step 1 Determines the MSB (Bit 4)	3
Figure 5. Sample Mode: All Capacitors are Charged up to $V_{IN} = +3V$	4
Figure 6. Hold Mode: All Capacitors are Charged up to $V_{IN} = +3V$	4
Figure 7. Bit-4 (MSB): Because $V_O = H$, Bit 4 = 1. Therefore, S_4 Must Remain in its Current Position	5
Figure 8. Bit-3: Because $V_O = L$, Bit 3 = 0. Therefore, S_3 Must be Switched Back to GND	5
Figure 9. Bit-2: Because $V_O = L$, Bit 2 = 0. Therefore, S_2 Must be Switched Back to GND	5
Figure 10. Bit 1: Because $V_O = H$, Bit 1 = 1. Therefore, S_1 Must Remain in its Current Position	6
Figure 11. Bit 0: Because $V_O = H$, Bit 0 = 1. Therefore, S_0 Must Remain in its Current Position	6
Figure 12. SAR Conversion Timing Diagram	6

Related Literature

For a full list of related documents, visit our website:

- [SAR A/D Converter](#) page

1. Introduction

Figure 1 shows the simplified, switched-capacitor structure of a 5-bit SAR-ADC. The capacitor values are binary weighted from C, C/2 ... C/16 or C/2ⁿ⁻¹. The last two capacitors have the same value of C/2ⁿ⁻¹. Only the first capacitor (connected to S₀) is switched during the charge redistribution (the actual conversion). The other capacitor remains connected to ground.

MOS-transistors implement the required n+3 switches, and the voltage comparator provides the appropriate steering of these switches using auxiliary logic circuitry.

The conversion process is performed in three steps:

- Sample mode
- Hold mode
- Redistribution mode (the actual conversion)

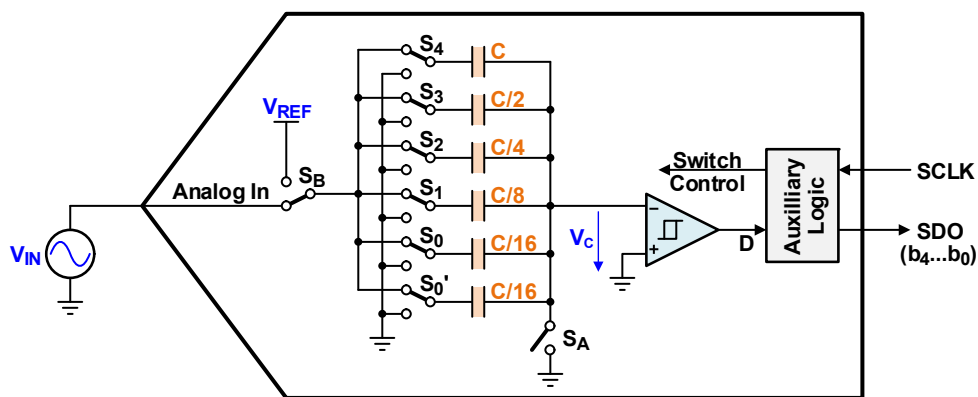


Figure 1. Simplified 5-Bit SAR-ADC Principle

2. Sample Mode

In the sampling mode (Figure 2), bus switch S_B is switched to the input voltage, V_{IN}, and S_A is closed to ground. The capacitor switches, S₄...S₀′, are turned to the common bus B and all capacitors are charged to V_{IN}. The total charge of Q_{IN} = V_{IN} · 2C is stored on the left plates of the capacitors.

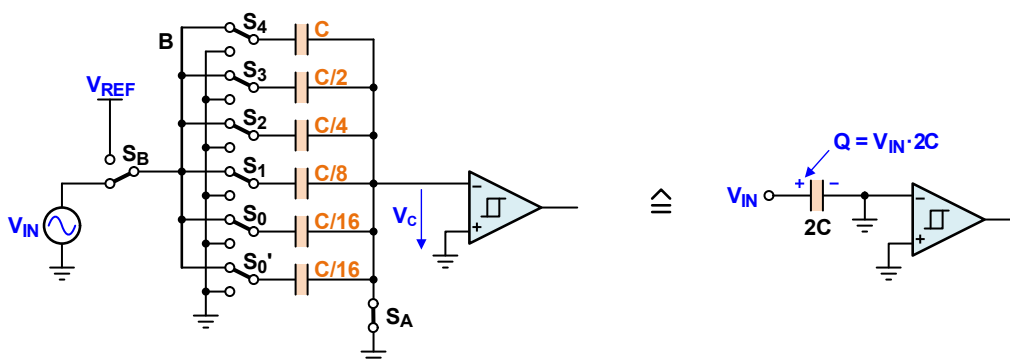


Figure 2. Sample Mode

3. Hold Mode

During the hold mode (Figure 3), switch S_A is open while the switches $S_4 \dots S_0'$ are connected to ground, thereby making the voltage at the inverting comparator input $V_C = -V_{IN}$. This means that the switched-cap circuit already has a built-in sample-and-hold function.

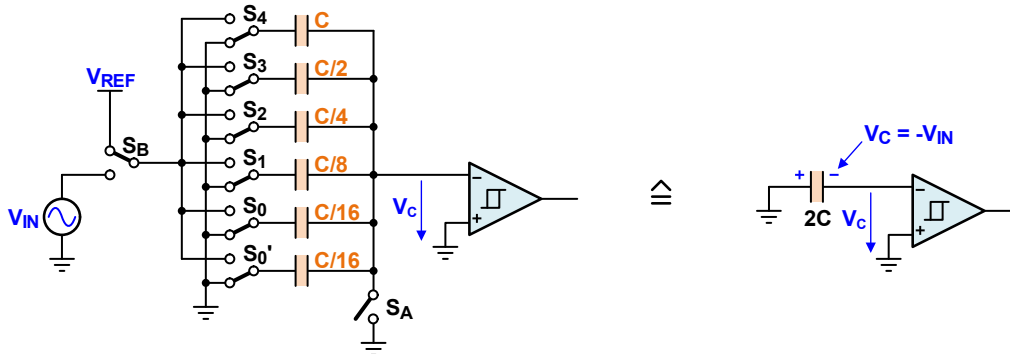


Figure 3. Hold Mode

4. Redistribution Mode

The actual conversion is performed by charge redistribution. The first conversion step, shown in Figure 4, connects C (the largest capacitor) using S_4 to the reference voltage V_{REF} , which corresponds to the Full-Scale Range (FSR) of the ADC.

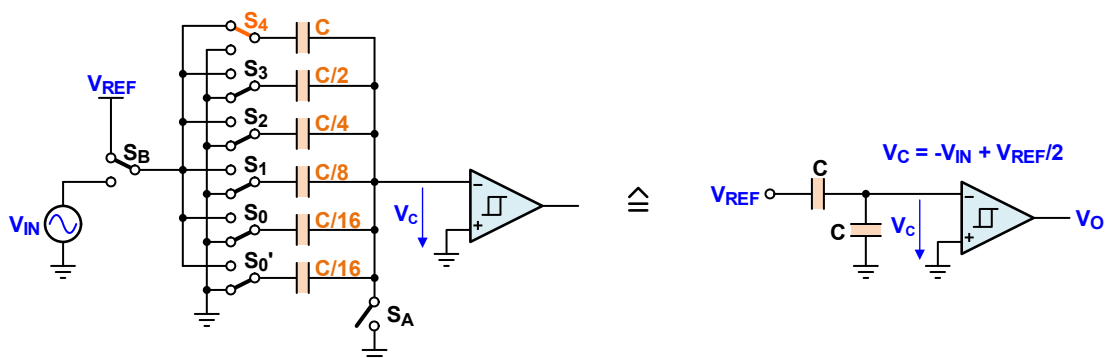


Figure 4. Conversion Step 1 Determines the MSB (Bit 4)

Capacitor C forms a 1:1 capacitance divider with the remaining capacitors connected to ground. The comparator input voltage becomes $V_C = -V_{IN} + V_{REF}/2$. This voltage is compared with the voltage potential of $0V$ at the non-inverting input. Therefore, if $|V_{IN}| > V_{REF}/2$, $V_C < 0$, and the comparator output V_O goes high, setting the Most Significant Bit (MSB) (Bit 4) = 1. However, if $|V_{IN}| < V_{REF}/2$, $V_C > 0$, V_O remains low, and Bit 4 = 0. If $V_O = \text{high}$, S_4 remains connected to V_{REF} for the rest of the conversion. If $V_O = \text{low}$, S_4 is switched back to GND.

This procedure is repeated for switches, S_3 to S_0 , except S_0' , which remains connected to GND for the entire conversion.

Summarizing, the conversion or charge redistribution procedure can be expressed by two equations:

(EQ. 1) $\text{If } -V_{IN} + V_{REF} \cdot X > 0 \Rightarrow V_O = \text{High [1]} \Rightarrow \text{maintain switch position}$

(EQ. 2) $\text{If } -V_{IN} + V_{REF} \cdot X < 0 \Rightarrow V_O = \text{Low [0]} \Rightarrow \text{connect switch back to GND}$

with X as the ratio of the capacitive voltage divider because of a given switch position.

Therefore, the comparator input voltage of the final conversion step is:

$$(EQ. 3) \quad V_C = -V_{IN} + \text{bit } 4 \cdot \frac{V_{REF}}{2} + \text{bit } 3 \cdot \frac{V_{REF}}{4} + \text{bit } 2 \cdot \frac{V_{REF}}{8} + \text{bit } 1 \cdot \frac{V_{REF}}{16} + \text{bit } 0 \cdot \frac{V_{REF}}{32}$$

5. Conversion Example

The following example shows the conversion process of a 5-bit SAR-ADC for $V_{IN} = 3V$ and $V_{REF} = 5V$. According to Equation 3, the comparator input voltage of the final conversion step must be:

$$(EQ. 4) \quad V_C = -3V + [1] \cdot 2.5V + [0] \cdot 1.25V + [0] \cdot 0.625V + [1] \cdot 0.3125V + [1] \cdot 0.15625V = -0.03125V$$

Sample Mode: All capacitors are connected to voltage bus B using S_4 to S_0' and to ground using S_A . Bus B is connected to V_{IN} . All capacitors are charged up to $V_{IN} = 3V$ (Figure 5).

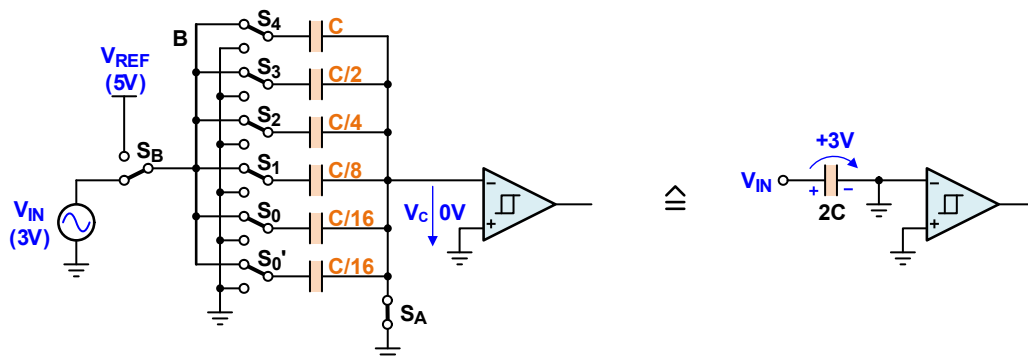


Figure 5. Sample Mode: All Capacitors are Charged up to $V_{IN} = +3V$

Hold Mode: The left side of the capacitors is connected to ground using S_4 to S_0' . The common (right) side of the capacitors is disconnected from ground using S_A , therefore, creating a comparator input voltage of $-V_{IN} = -3V$ (Figure 6).

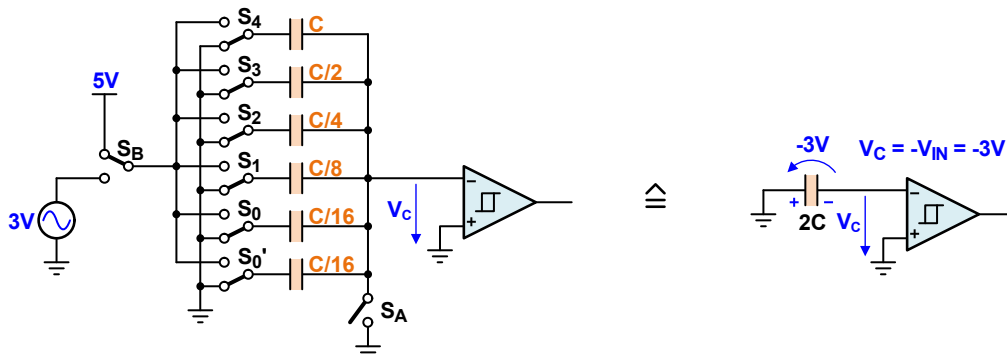


Figure 6. Hold Mode: All Capacitors are Charged up to $V_{IN} = +3V$

Redistribution Mode: The actual conversion starts by connecting S_B to $V_{REF} = 5V$.

Bit 4 (MSB): The first conversion step determines the most significant bit (MSB = Bit 4) connecting C to V_{REF} using S_4 . The ratio of the capacitive voltage divider becomes $X = 1/2$ and creates a comparator input voltage of $V_C = -0.5V$. This turns the comparator output high and sets Bit 4 to 1. It also means that S_4 must remain in the present position for the rest of the conversion process (Figure 7).

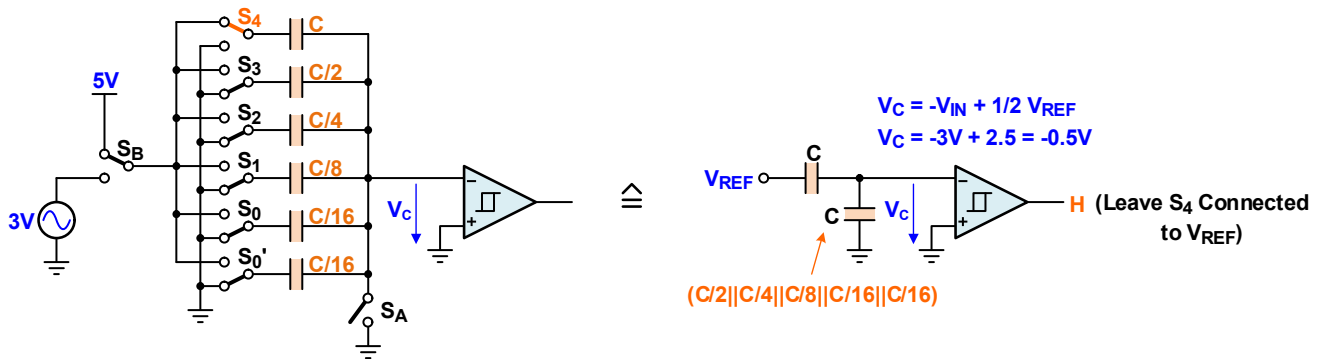


Figure 7. Bit-4 (MSB): Because $V_O = H$, Bit 4 = 1. Therefore, S_4 Must Remain in its Current Position

Bit 3: The second conversion step determines Bit 3 by connecting $C/2$ to V_{REF} using S_3 . The divider ratio changes to $X = 3/4$, causing a comparator input of $V_C = +0.75V$. This turns the comparator output low and sets Bit 3 to 0. It also means that S_3 must be switched back to ground (Figure 8).

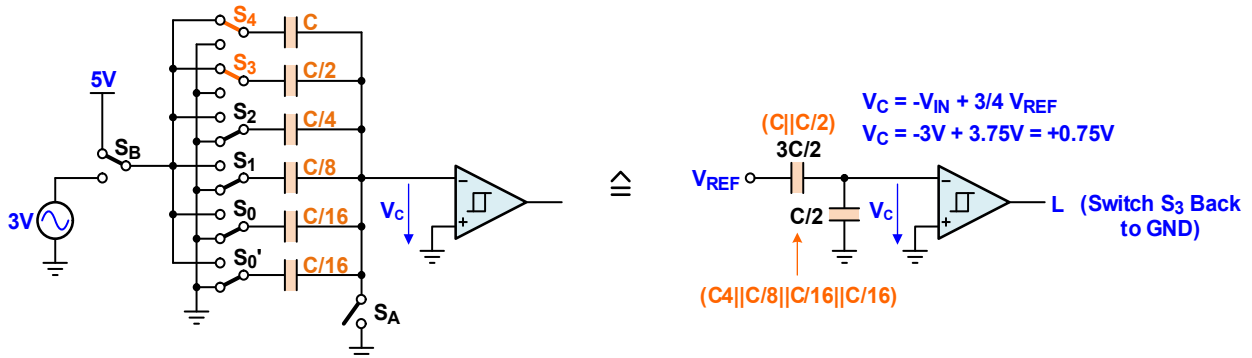


Figure 8. Bit-3: Because $V_O = L$, Bit 3 = 0. Therefore, S_3 Must be Switched Back to GND

Bit 2: The third conversion step determines Bit 2 by connecting $C/4$ to V_{REF} using S_2 . The divider ratio changes to $X = 5/8$, causing a comparator input of $V_C = +0.125V$. This turns the comparator output low and sets Bit 2 to 0. It also means that S_2 must be switched back to ground (Figure 9).

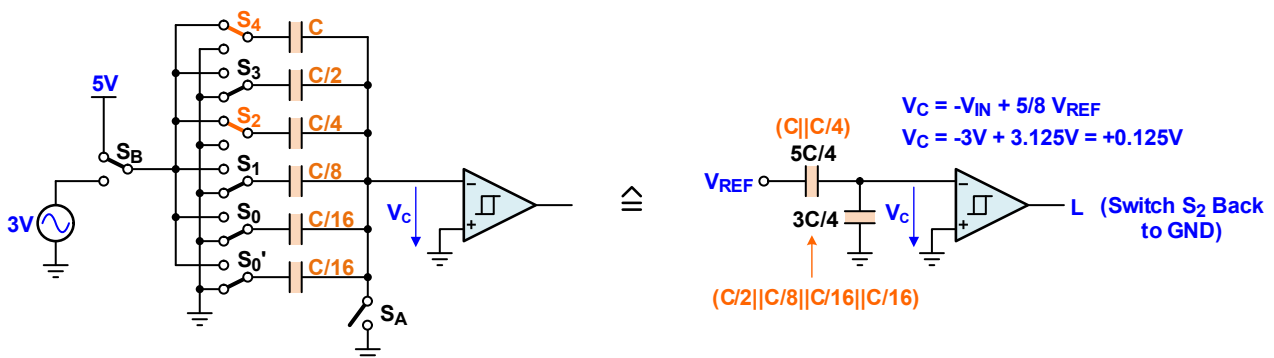


Figure 9. Bit-2: Because $V_O = L$, Bit 2 = 0. Therefore, S_2 Must be Switched Back to GND

Bit 1: The fourth conversion step determines Bit 1 by connecting $C/8$ to V_{REF} using S_1 . The divider ratio changes to $X = 9/16$, causing a comparator input of $V_C = -0.1875V$. This turns the comparator output high and sets Bit 1 to 1. It also means that S_1 must remain in the present position for the rest of the conversion process (Figure 10).

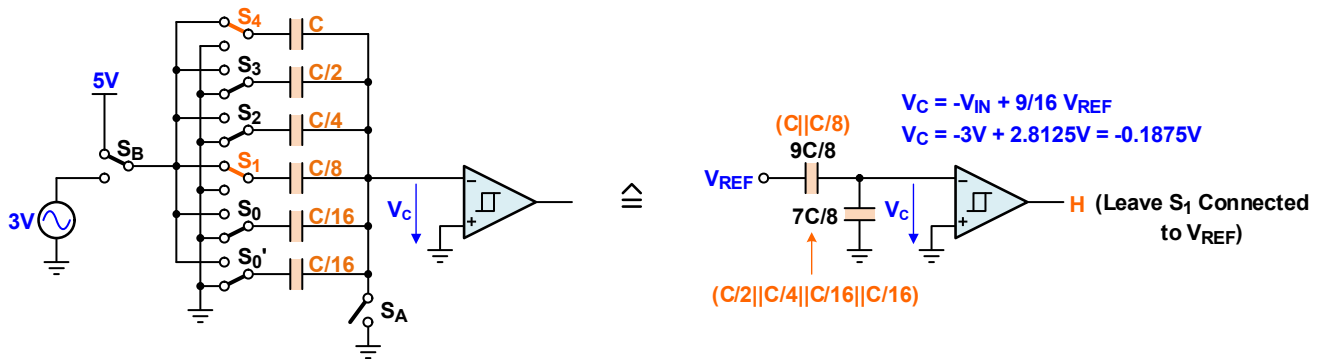


Figure 10. Bit 1: Because $V_O = H$, Bit 1 = 1. Therefore, S_1 Must Remain in its Current Position

Bit 0: The fifth conversion step determines Bit 0 by connecting $C/16$ to V_{REF} using S_0 . The divider ratio changes to $X = 19/32$, causing a comparator input of $V_C = -0.03125V$. This turns the comparator output high and sets Bit 0 to 1. It also means that S_0 must remain in the present position (Figure 11).

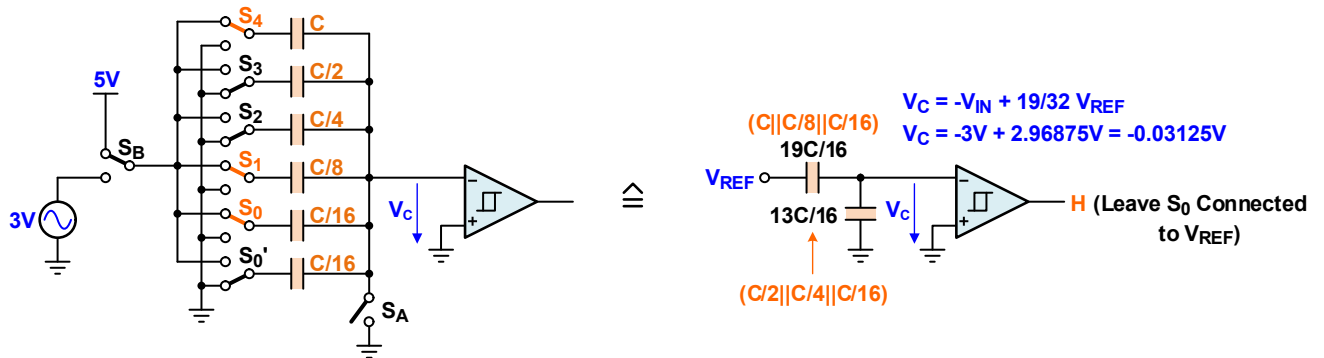


Figure 11. Bit 0: Because $V_O = H$, Bit 0 = 1. Therefore, S_0 Must Remain in its Current Position

6. Timing Diagram

Figure 12 shows the timing diagrams for the bus voltage (V_B) the comparator input voltage (V_C) the On/Off status of all switches (1 = On), and the individual capacitor voltages, V_{C1} to V_{C16} .

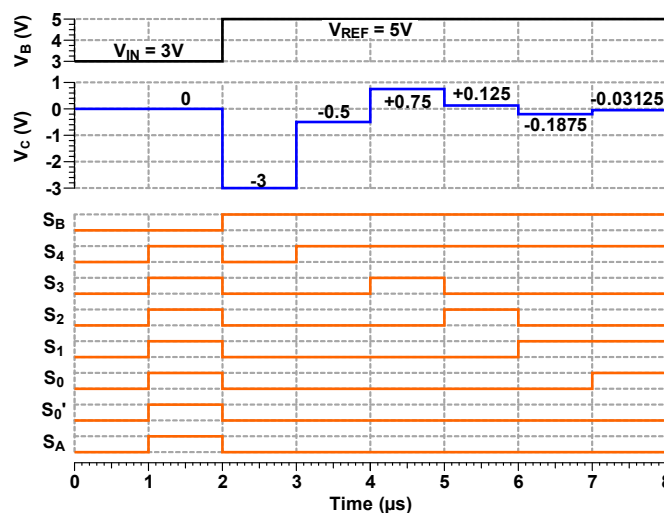


Figure 12. SAR Conversion Timing Diagram

7. Revision History

Rev.	Date	Description
1.00	Sep.17.20	Initial release

IMPORTANT NOTICE AND DISCLAIMER

RENESAS ELECTRONICS CORPORATION AND ITS SUBSIDIARIES (“RENESAS”) PROVIDES TECHNICAL SPECIFICATIONS AND RELIABILITY DATA (INCLUDING DATASHEETS), DESIGN RESOURCES (INCLUDING REFERENCE DESIGNS), APPLICATION OR OTHER DESIGN ADVICE, WEB TOOLS, SAFETY INFORMATION, AND OTHER RESOURCES “AS IS” AND WITH ALL FAULTS, AND DISCLAIMS ALL WARRANTIES, EXPRESS OR IMPLIED, INCLUDING, WITHOUT LIMITATION, ANY IMPLIED WARRANTIES OF MERCHANTABILITY, FITNESS FOR A PARTICULAR PURPOSE, OR NON-INFRINGEMENT OF THIRD PARTY INTELLECTUAL PROPERTY RIGHTS.

These resources are intended for developers skilled in the art designing with Renesas products. You are solely responsible for (1) selecting the appropriate products for your application, (2) designing, validating, and testing your application, and (3) ensuring your application meets applicable standards, and any other safety, security, or other requirements. These resources are subject to change without notice. Renesas grants you permission to use these resources only for development of an application that uses Renesas products. Other reproduction or use of these resources is strictly prohibited. No license is granted to any other Renesas intellectual property or to any third party intellectual property. Renesas disclaims responsibility for, and you will fully indemnify Renesas and its representatives against, any claims, damages, costs, losses, or liabilities arising out of your use of these resources. Renesas' products are provided only subject to Renesas' Terms and Conditions of Sale or other applicable terms agreed to in writing. No use of any Renesas resources expands or otherwise alters any applicable warranties or warranty disclaimers for these products.

(Rev.1.0 Mar 2020)

Corporate Headquarters

TOYOSU FORESIA, 3-2-24 Toyosu,
Koto-ku, Tokyo 135-0061, Japan
www.renesas.com

Contact Information

For further information on a product, technology, the most up-to-date version of a document, or your nearest sales office, please visit:
www.renesas.com/contact/

Trademarks

Renesas and the Renesas logo are trademarks of Renesas Electronics Corporation. All trademarks and registered trademarks are the property of their respective owners.