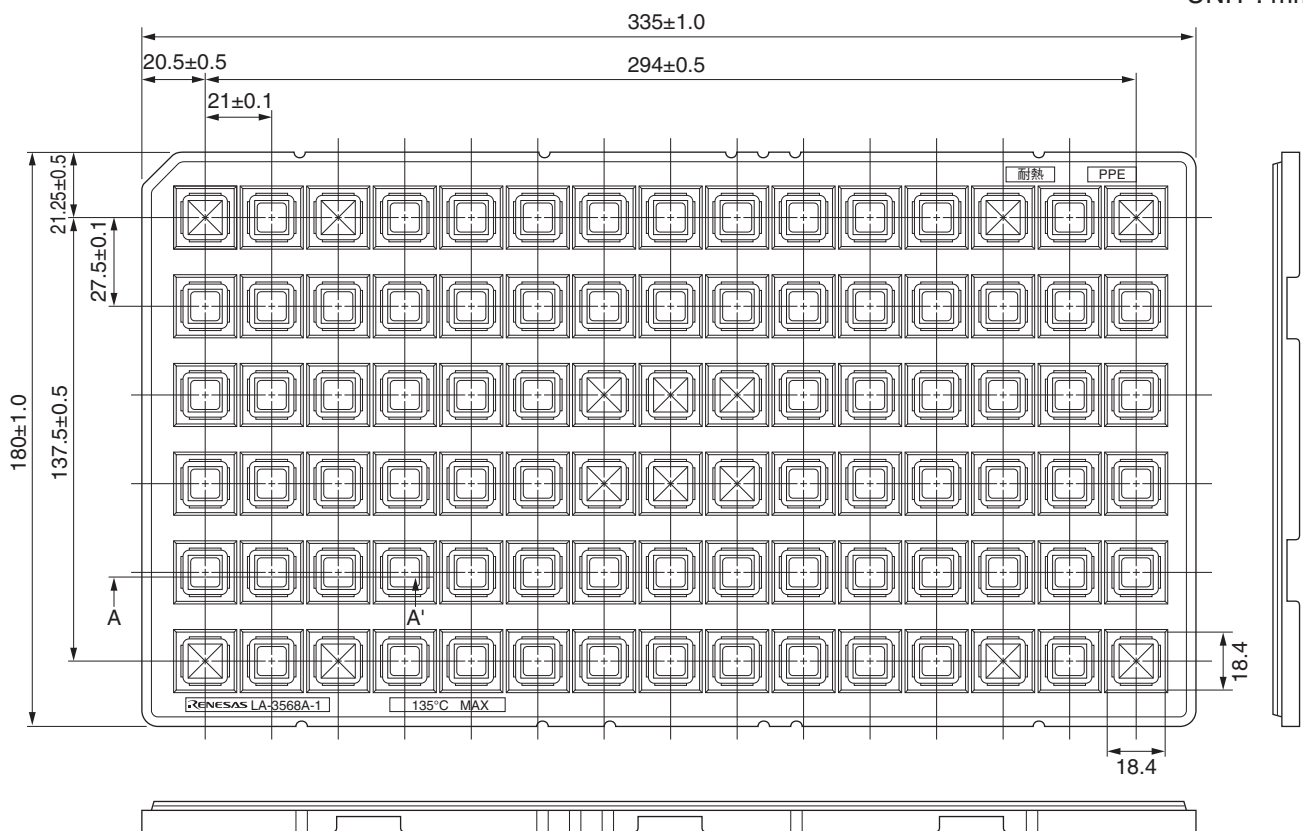
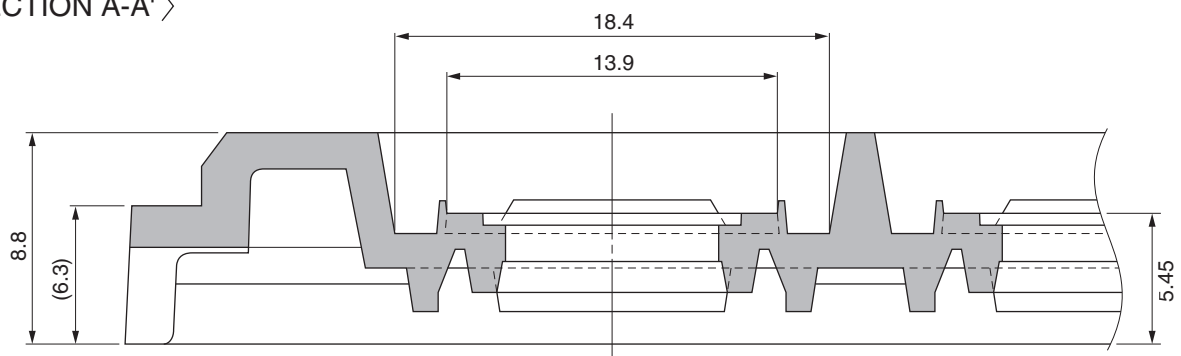


TRAY CONTAINER

UNIT : mm



〈SECTION A-A'〉



Applied Package	Quantity (pcs)	Tray	LA - 3568A - 1
52-pin Plastic QFP (2.7mm thick)	90 MAX.	Material	Carbon PPE
64-pin Plastic QFP (2.55mm, 2.7mm thick)		Heat Proof Temp.	135°C MAX.
80-pin Plastic QFP (2.7mm thick)		Surface resistance	less than $1 \times 10^6 \Omega / \square$