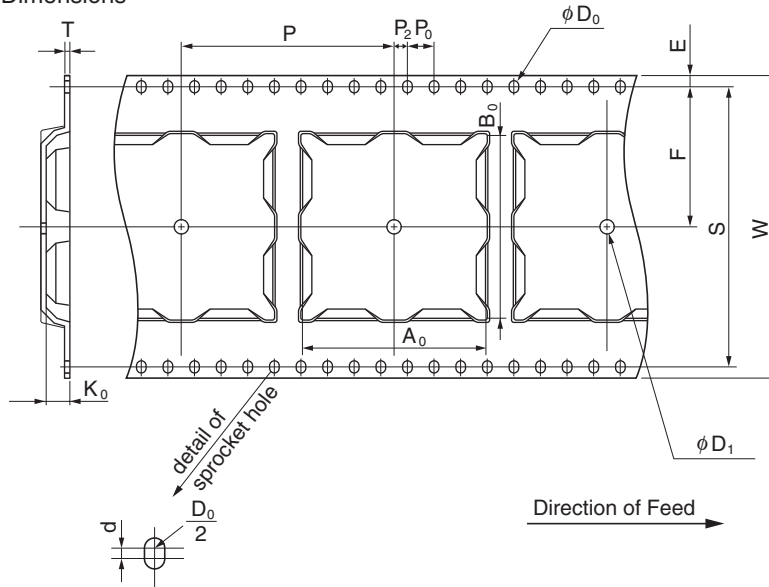


EMBOSS TAPE CONTAINER

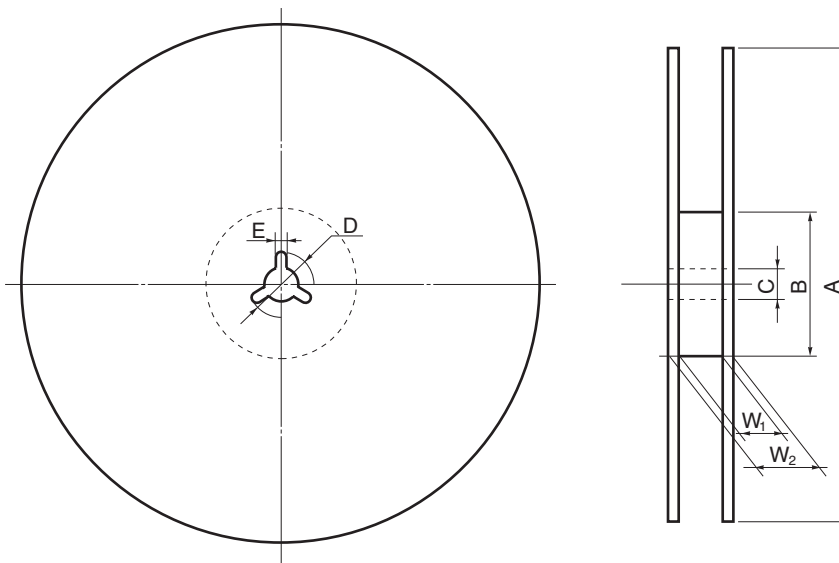
Tape Dimensions



(Unit : mm)

Symbol	Specification
A_0	27.3
B_0	27.3
K_0	3.5
W	44.0±0.3
F	20.2±0.1
E	1.75±0.1
P	32.0±0.1
P_2	2.0±0.15
P_0	4.0±0.1
D_0	1.5 ^{+0.1} ₀
T	0.3
D_1	2.0 MIN.
S	40.4±0.1
d	0.2

Reel Dimensions



(Unit : mm)

Symbol	Specification
A	φ330
B	φ150
C	φ13.0±0.2
D	φ21.0±0.8
E	2.0±0.5
W_1	44.5±1.0
W_2	49.5±1.0

Applied Package	Quantity (pcs)
676-pin Plastic BGA (27x27)	400 MAX.