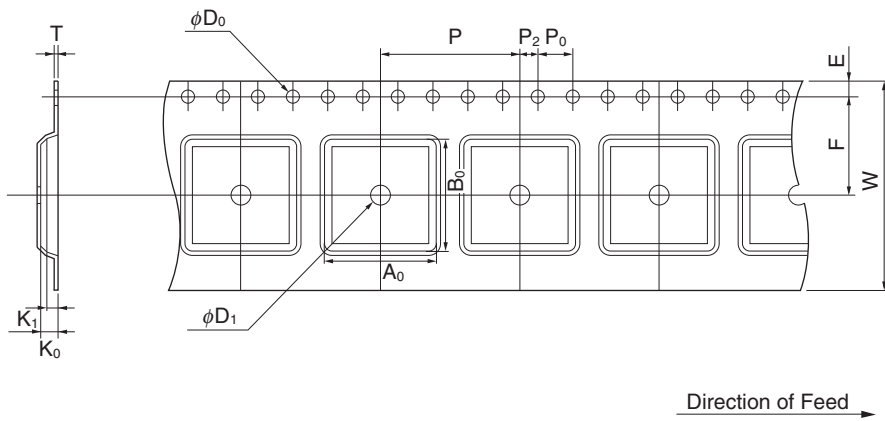


EMBOSS TAPE CONTAINER

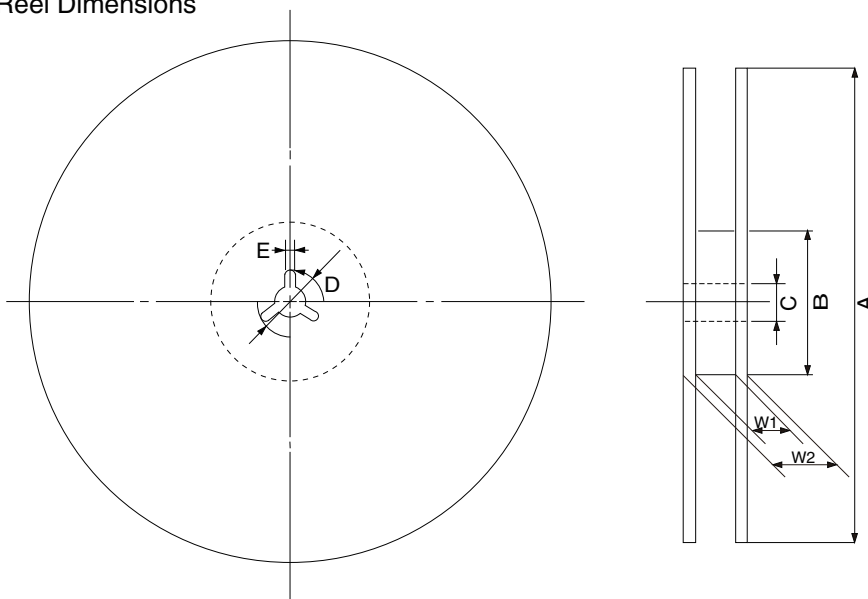
Tape Dimensions



(Unit : mm)

Symbol	Specification
A ₀	13.3
B ₀	13.3
K ₀	2.15
K ₁	1.35
W	24.0±0.3
F	11.5±0.1
E	1.75±0.1
P	16.0±0.1
P ₂	2.0±0.1
P ₀	4.0±0.1
D ₀	1.5 ^{+0.1} ₋₀
T	0.3
D ₁	1.5 MIN.

Reel Dimensions



(Unit:mm)

Symbol	Specification
A	φ330±2.0
B	φ100
C	φ13.0±0.2
D	φ21.0±0.8
E	2.0±0.5
W ₁	25.5
W ₂	29.5±1.0

Applied Package	Quantity (pcs)
261-pin Plastic FLGA (12.7x12.7)	1,000 MAX.
384-pin Plastic FBGA (12.7x12.7)	