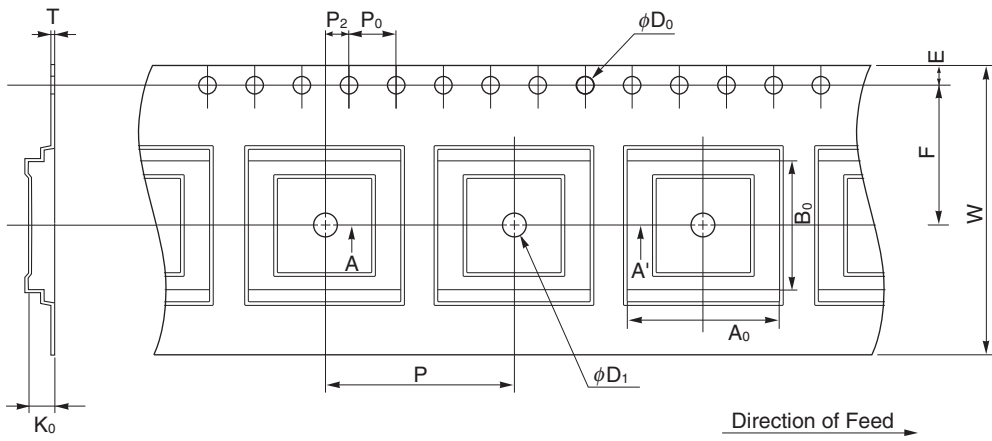


EMBOSS TAPE CONTAINER

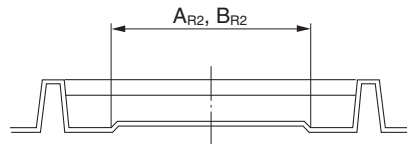
Tape Dimensions



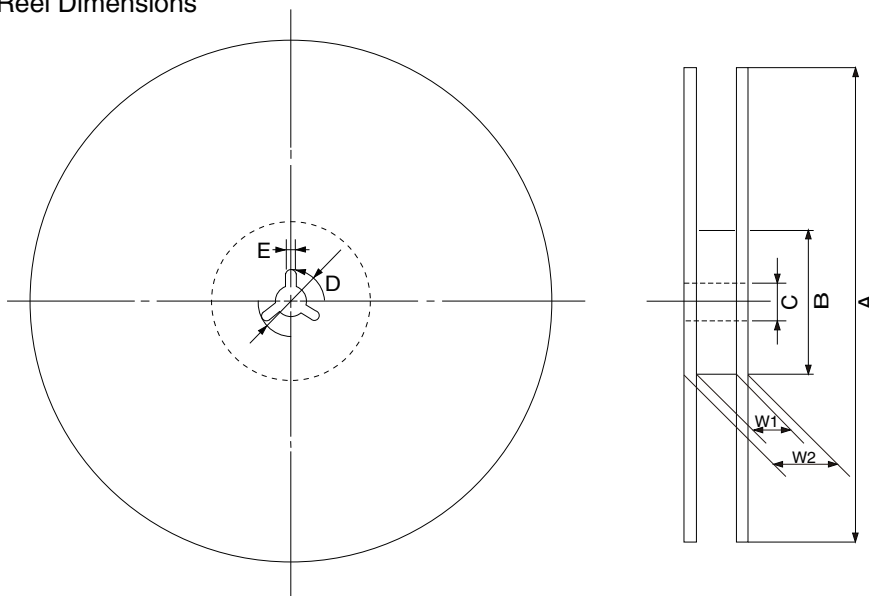
(Unit : mm)

Symbol	Specification
A ₀	14.5
B ₀	14.5
K ₀	2.2
W	24.0±0.3
F	11.5±0.1
E	1.75±0.1
P	16.0±0.1
P ₂	2.0±0.1
P ₀	4.0±0.1
D ₀	1.5 ^{+0.1} ₋₀
T	0.3
D ₁	1.5 MIN.
A _{R2}	11.0
B _{R2}	11.0

<SECTION A-A'>



Reel Dimensions



(Unit: mm)

Symbol	Specification
A	φ 330±2.0
B	φ 100
C	φ 13.0±0.2
D	φ 21.0±0.8
E	2.0±0.5
W ₁	25.5
W ₂	29.5±1.0

Applied Package	Quantity (pcs)
44-pin Plastic QFP (1.4mm thick)	1,000 MAX.