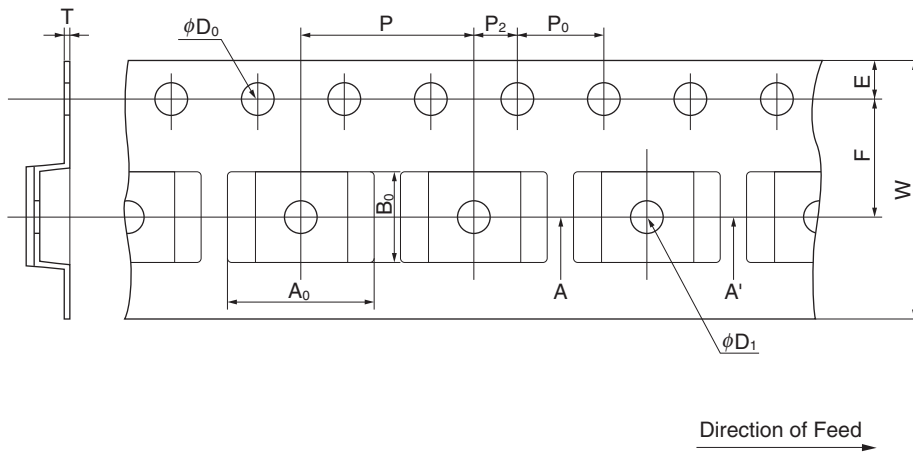


# EMBOSS TAPE CONTAINER

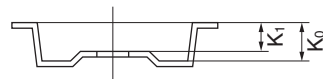
## Tape Dimensions

(Unit : mm)



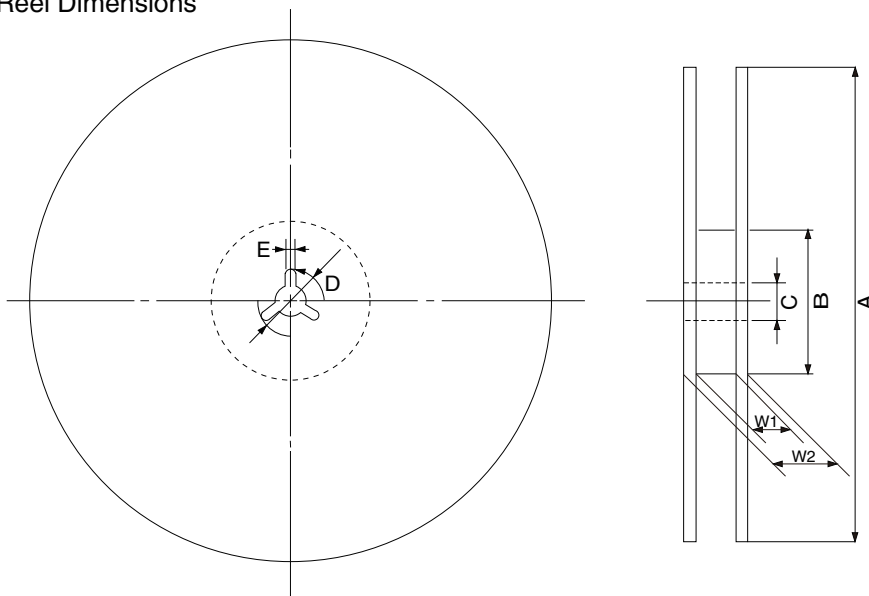
Symbol	Specification
A <sub>0</sub>	6.8
B <sub>0</sub>	4.2
K <sub>0</sub>	1.8
K <sub>1</sub>	1.4
W	12.0±0.3
F	5.5±0.1
E	1.75±0.1
P	8.0±0.1
P <sub>2</sub>	2.0±0.1
P <sub>0</sub>	4.0±0.1
D <sub>0</sub>	1.5 <sup>+0.1</sup> <sub>0</sub>
T	0.3
D <sub>1</sub>	1.6 MIN.

<SECTION A-A'>



## Reel Dimensions

(Unit:mm)



Symbol	Specification
A	φ330±2.0
B	φ100
C	φ13.0±0.2
D	φ21.0±0.8
E	2.0±0.5
W <sub>1</sub>	13.5
W <sub>2</sub>	17.5

Applied Package	Quantity (pcs)
10-pin Plastic SSOP (5.72 mm (225))	2,500 MAX.