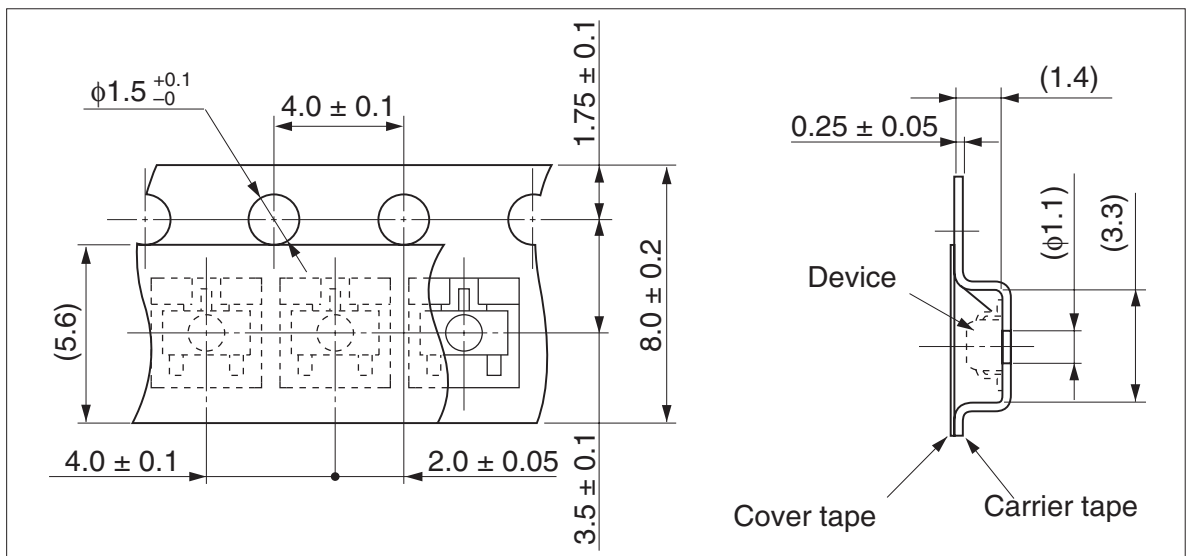


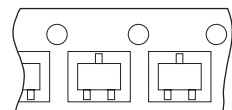
Taping code	Package name	Renesas code	Previous code	Packing form
TR(P), TL(H)	MPAK	PLSP0003ZC-A	MPAK(D), MPAK(D)V	Non dry pack

Unit : mm

Taping code欄の( )内は新コードです。

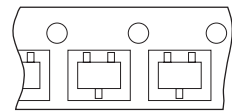


TL(H) reel off direction →



(The mark surface is set upward.)

TR(P) reel off direction →



(The mark surface is set upward.)

### Reel type A

