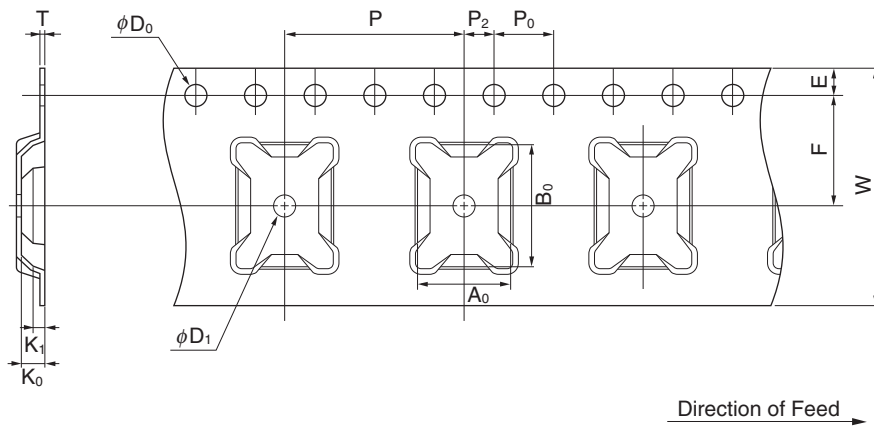


EMBOSS TAPE CONTAINER

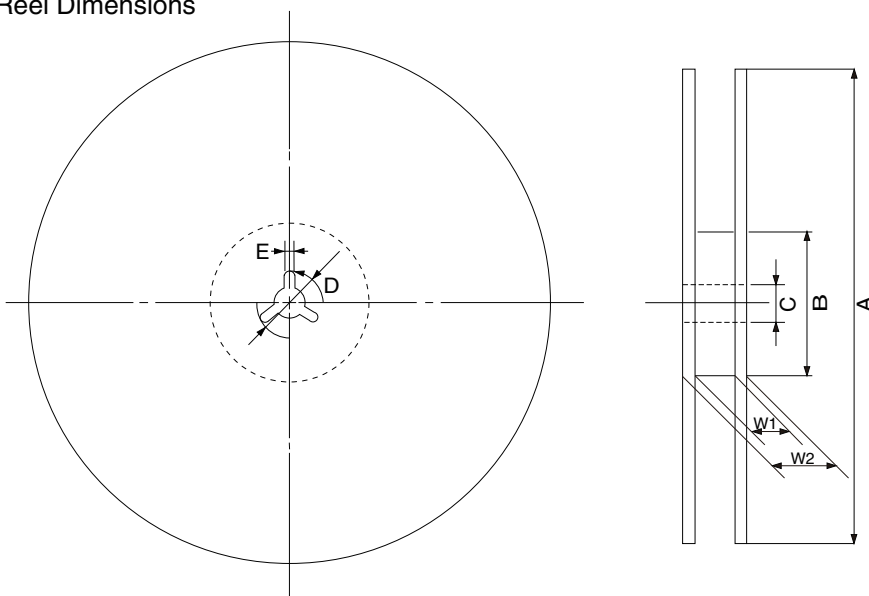
Tape Dimensions



(Unit : mm)

Symbol	Specification
A ₀	6.2
B ₀	8.2
K ₀	1.65
K ₁	0.85
W	16.0±0.3
F	7.5±0.1
E	1.75±0.1
P	12.0±0.1
P ₂	2.0±0.1
P ₀	4.0±0.1
D ₀	1.5 ^{+0.1} ₋₀
T	0.3
D ₁	1.5 MIN.

Reel Dimensions



(Unit: mm)

Symbol	Specification
A	φ254±2.0
B	φ100
C	φ13.0±0.2
D	φ21.0±0.8
E	2.0±0.5
W ₁	17.5
W ₂	21.5

Applied Package	Quantity (pcs)
48-pin Plastic FBGA (6x8)	MAX. 1,500