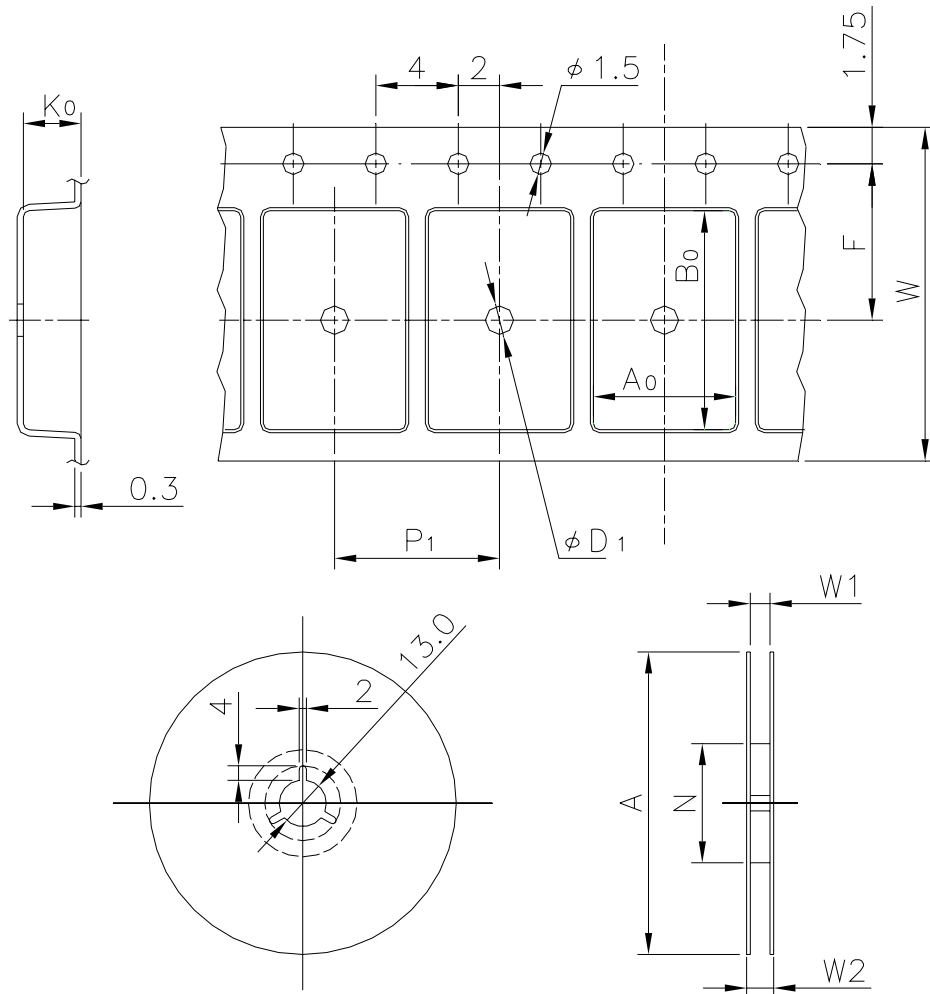


EMBOSSED TAPE

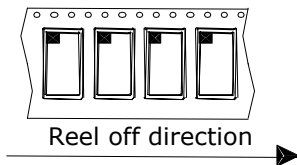
Taping Code	RENESAS Code	Previous Code
TE1612-33P	PVBG0085KA-A	TBP-85V



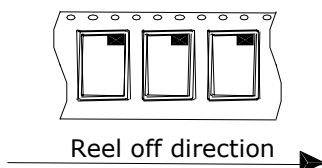
Unit:mm

Standard Orientation of Package

The pin 1 is located in the hatching portion.



The pin 1 may also be located in the following portion for reverse bent packages and some QFPs.



Tape Dimensions (mm)	W	16
	P_1	12
	A_0	6.2
	B_0	6.2
	K_0	1.5
	F	7.5
	D_1	1.5
Reel Dimensions (mm)	A	330
	N	100
	W1	17.4
	W2	21.4
Maximum storage No. IC/Reel		3000
Material		Carbon PS
Surface resistance		Less than $1 \times 10^{11} \Omega / \square$
Packing form		Dry pack