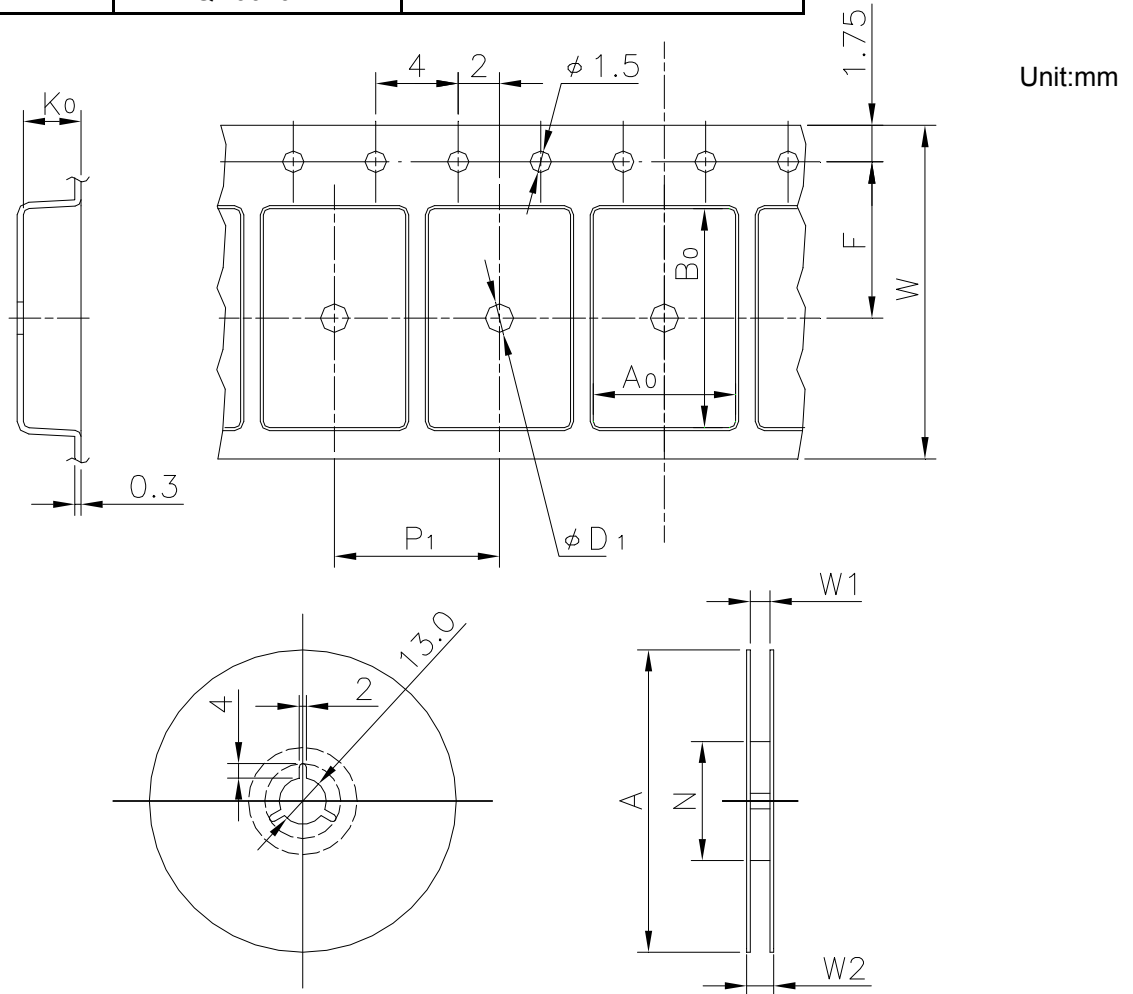


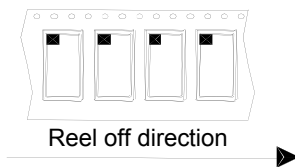
EMBOSSED TAPE

Taping code	RENESAS Code	Previous Code
TE1208-51P	PVQN0020KB-A	—
	PVQN0020KD-A	—

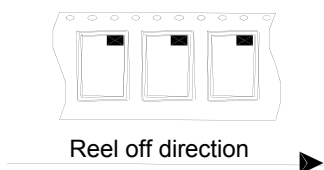


Standard Orientation of Package

The pin 1 is located in the hatching portion.



The pin 1 may also be located in the following portion for reverse bent packages and some QFPs.



Tape Dimensions (mm)	W	12
	P_1	8
	A_0	4.7
	B_0	4.7
	K_0	1.5
	F	5.5
	D_1	1.5
Reel Dimensions (mm)	A	330
	N	100
	W_1	13.4
	W_2	17.4
Maximum storage No. IC/Reel		4000
Material		Carbon PS
Surface resistance		Less than $1 \times 10^{11} \Omega/\square$
Packing form		Dry pack