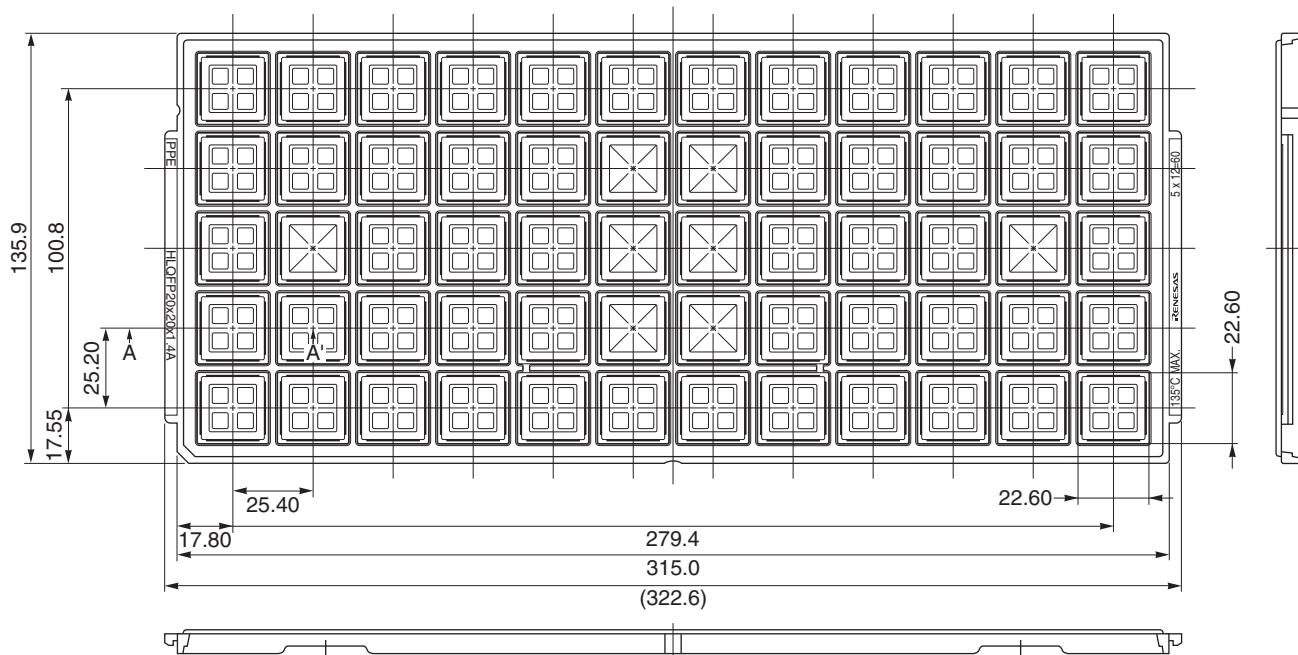
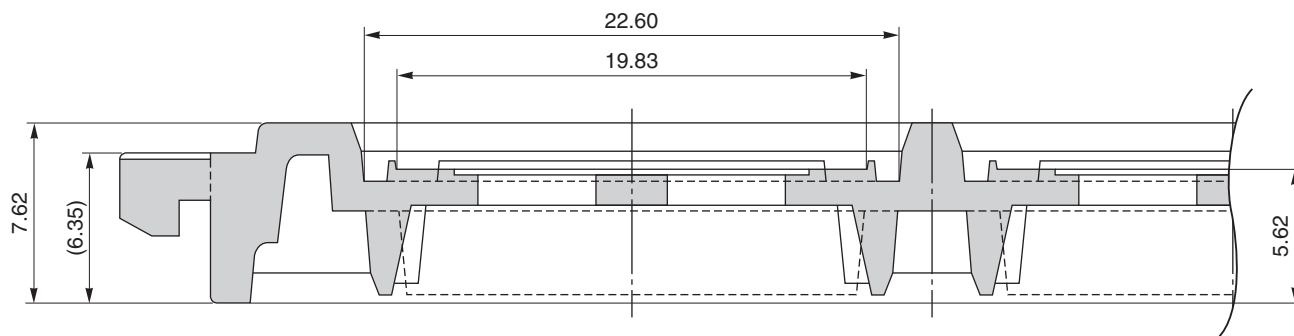


TRAY CONTAINER

UNIT : mm



<SECTION A-A'>



Applied Package	Quantity (pcs)	Tray	HLQFP20x20x1.4A
144-pin Plastic HLQFP (Fine Pitch) (1.4 mm thick)	60 MAX.	Material	Carbon PPE
176-pin Plastic HLQFP (Fine Pitch) (1.4 mm thick)		Heat Proof Temp.	135°C MAX.
		Surface resistance	less than $1 \times 10^{12} \Omega / \square$

The tolerance of tray's dimensions are based on JEDEC STANDARD.