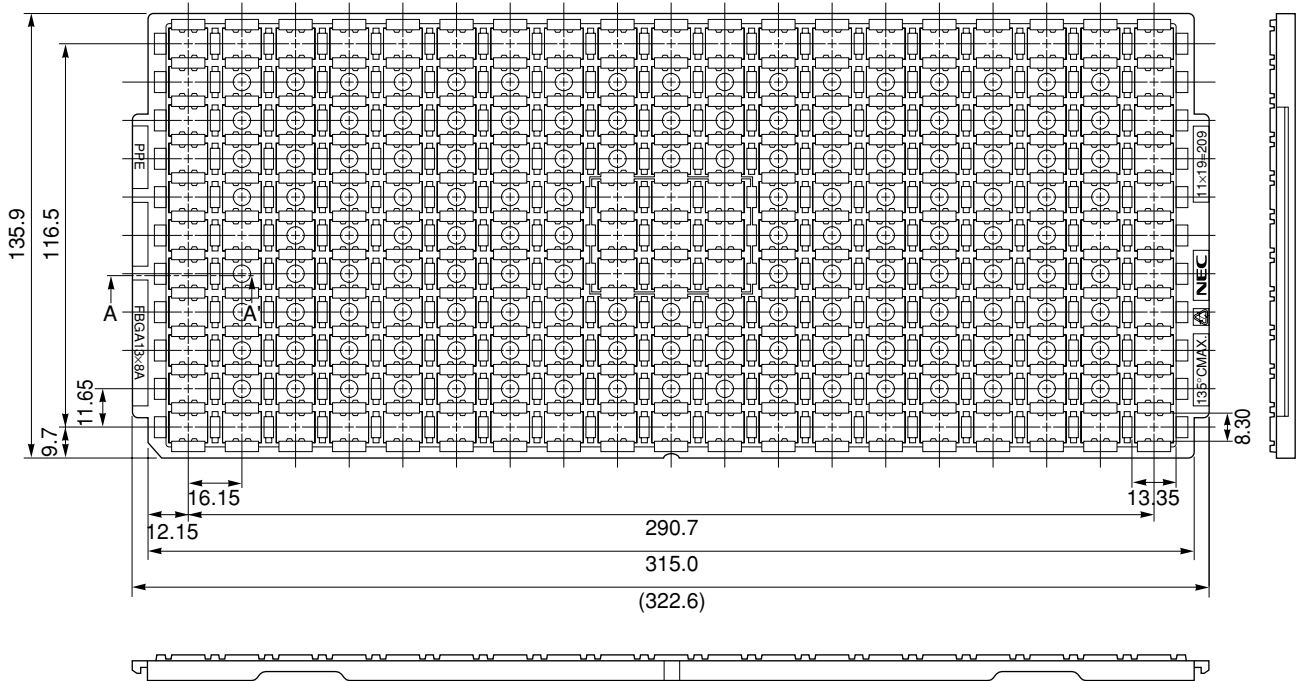
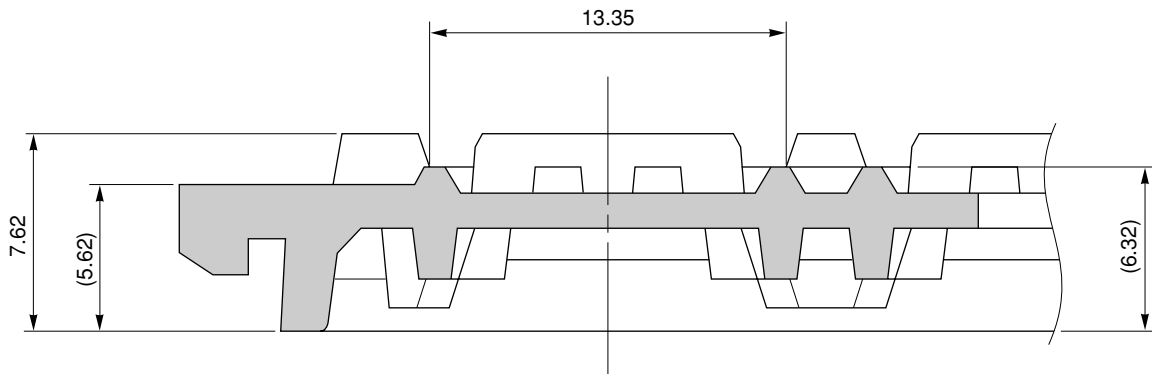


TRAY CONTAINER

UNIT : mm



< SECTION A - A' >



Applied Package	Quantity (pcs)
85-pin · TAPE FBGA (13×8)	MAX. 209

Tray	FBGA 13×8A
Material	Carbon PPE
Heat Proof Temp.	135°C
Surface resistance	less than $1 \times 10^{12} \Omega / \square$

The tolerance of tray's dimensions are based on JEDEC STANDARD.

SSD-A-H7039

© 2010 Renesas Electronics Corporation. All rights reserved.