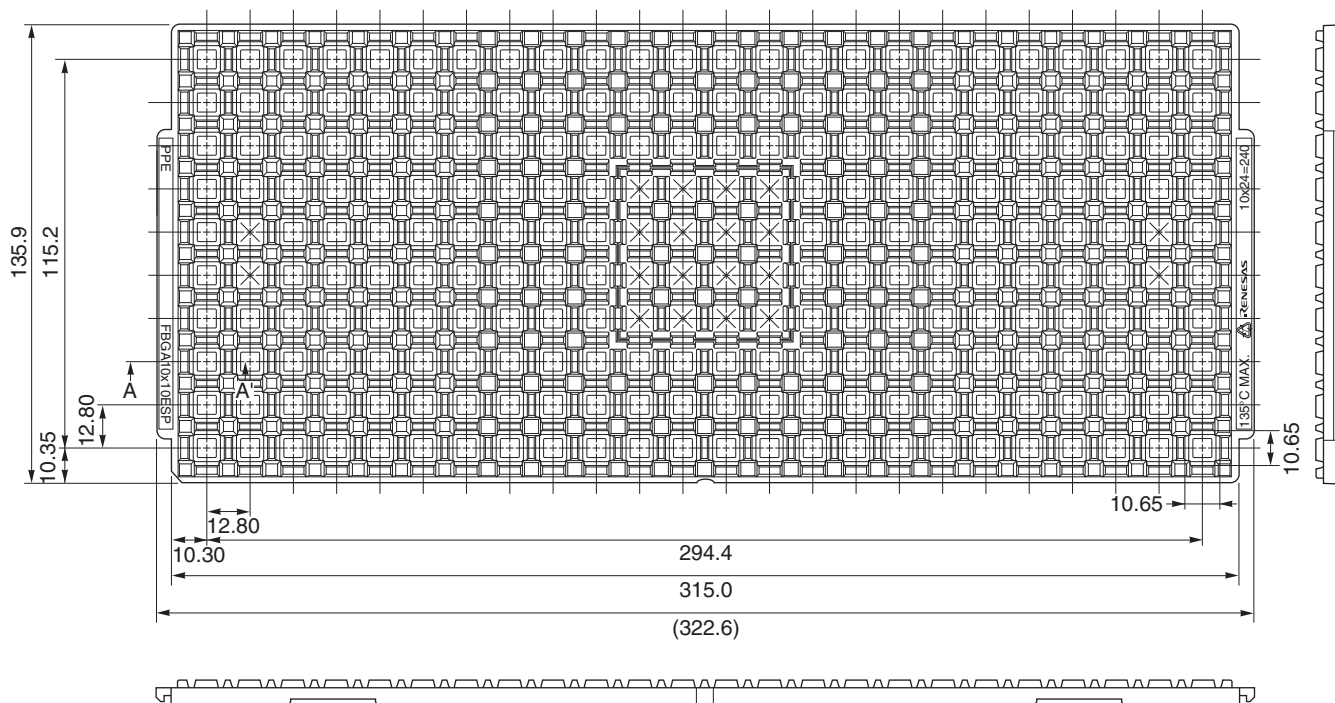
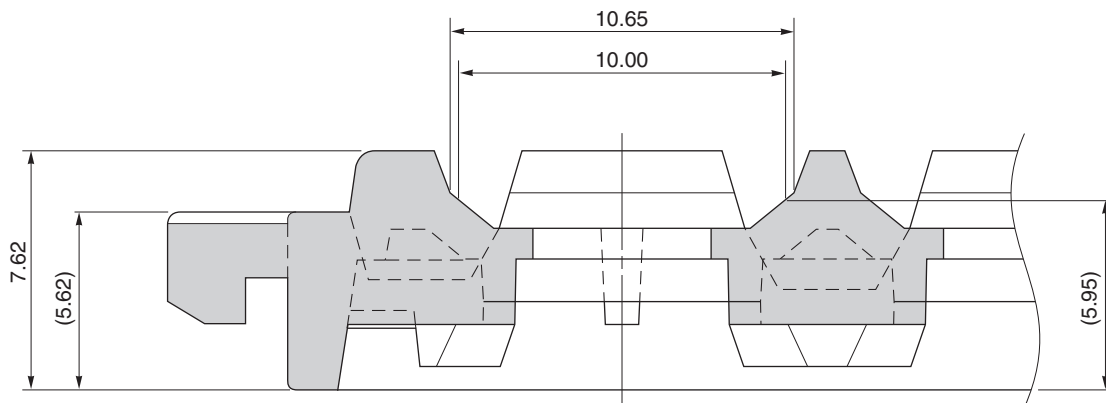


TRAY CONTAINER

UNIT : mm



< SECTION A - A' >



Applied Package	Quantity (pcs)
221-pin Tape FBGA (10x10)	240 MAX.
225-pin Tape FBGA (10x10)	
261-pin Tape FBGA (10x10)	
289-pin Tape FBGA (10x10)	

Tray	FBGA10x10 ESP
Material	Carbon PPE
Heat Proof Temp.	135°C MAX.
Surface resistance	less than $1 \times 10^{12} \Omega / \square$

The tolerance of tray's dimensions are based on JEDEC STANDARD.