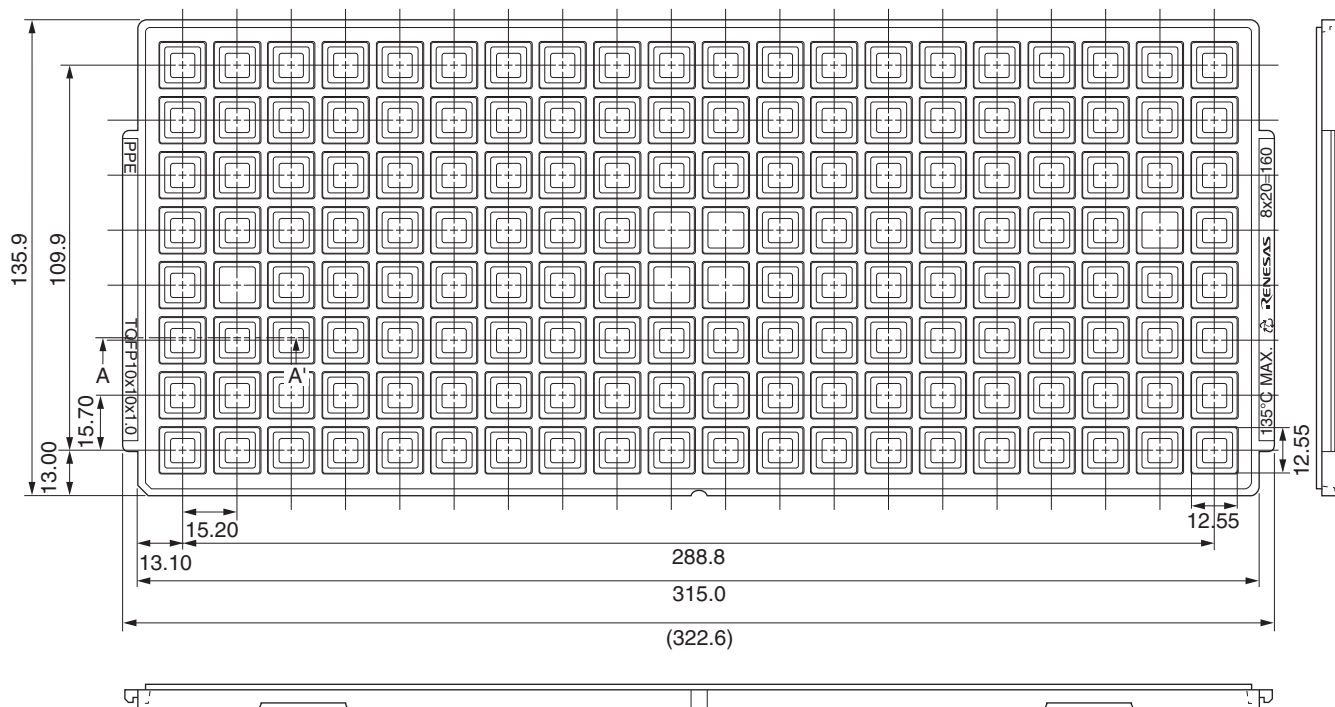
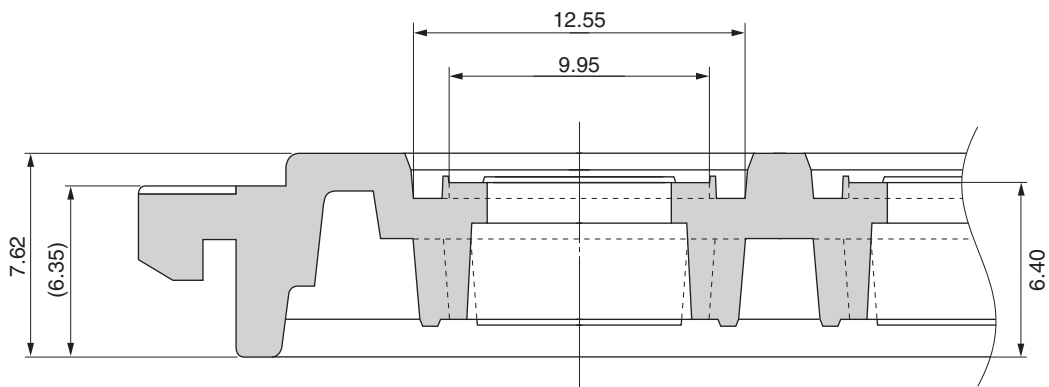


TRAY CONTAINER

UNIT : mm



<SECTION A-A>



Applied Package	Quantity (pcs)
64-pin · Plastic TQFP (Fine Pitch)(1.0mm thick)	MAX. 160

Tray	TQFP 10 x 10 x 1.0
Material	Carbon PPE
Heat Proof Temp.	135°C
Surface resistance	less than $1 \times 10^{12} \Omega / \square$

The tolerance of tray's dimensions are based on JEDEC STANDARD.