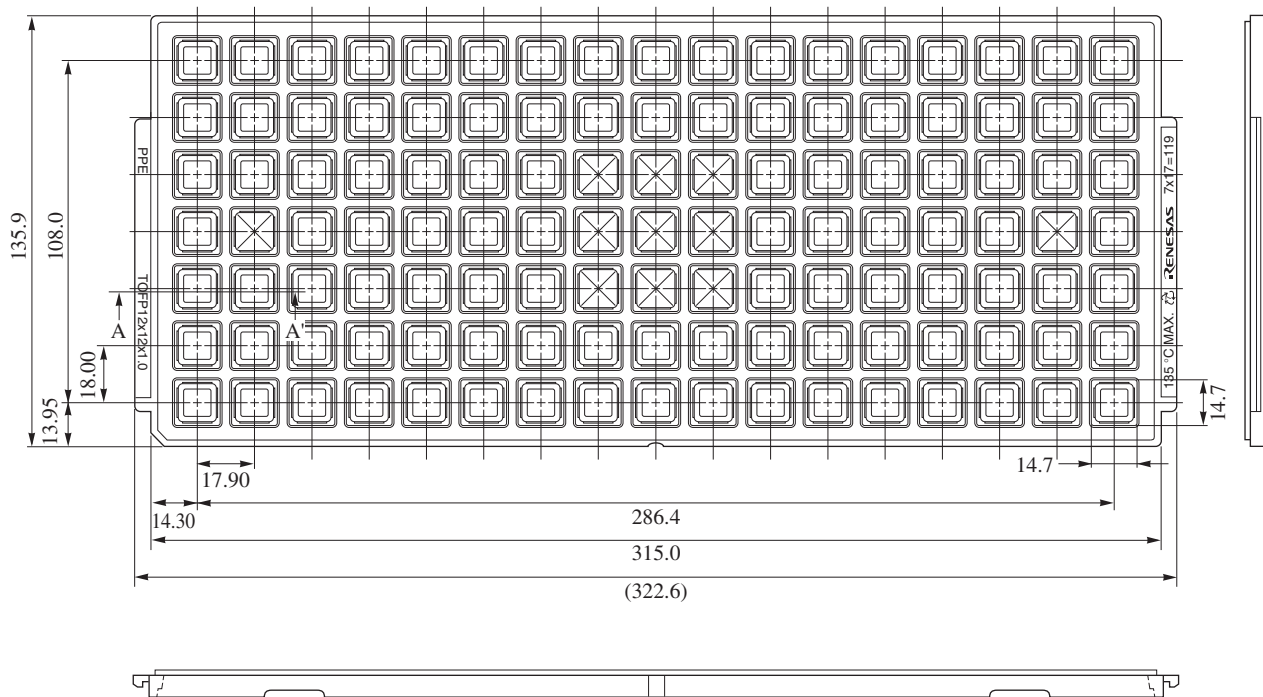
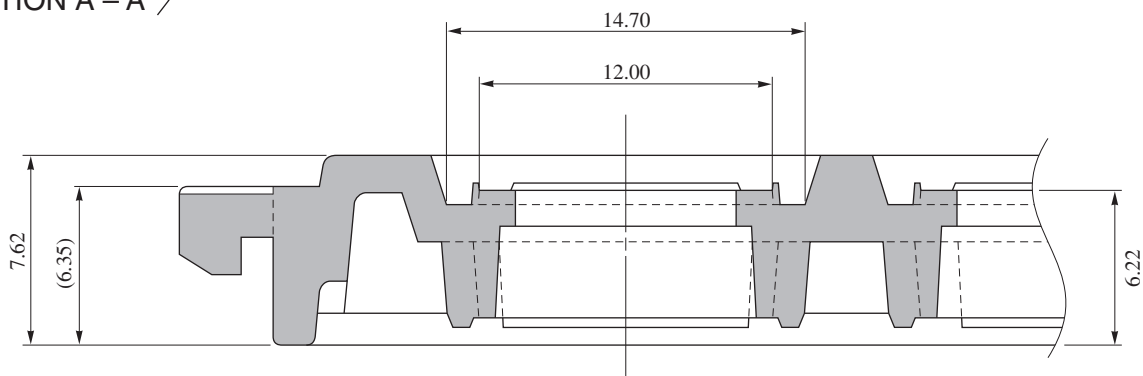


TRAY CONTAINER

UNIT : mm



< SECTION A - A' >



Applied Package	Quantity (pcs)
64-pin · Plastic TQFP(1.0mm thick)	MAX. 119
80-pin · Plastic TQFP(1.0mm thick)	
80-pin · Plastic TQFP(1.05mm thick)	
100-pin Plastic TQFP(1.0mm thick)	

Tray	TQFP 12x12x1.0
Material	Carbon PPE
Heat Proof Temp.	135°C
Surface resistance	less than $1 \times 10^{12} \Omega / \square$

The tolerance of tray's dimensions are based on JEDEC STANDARD.