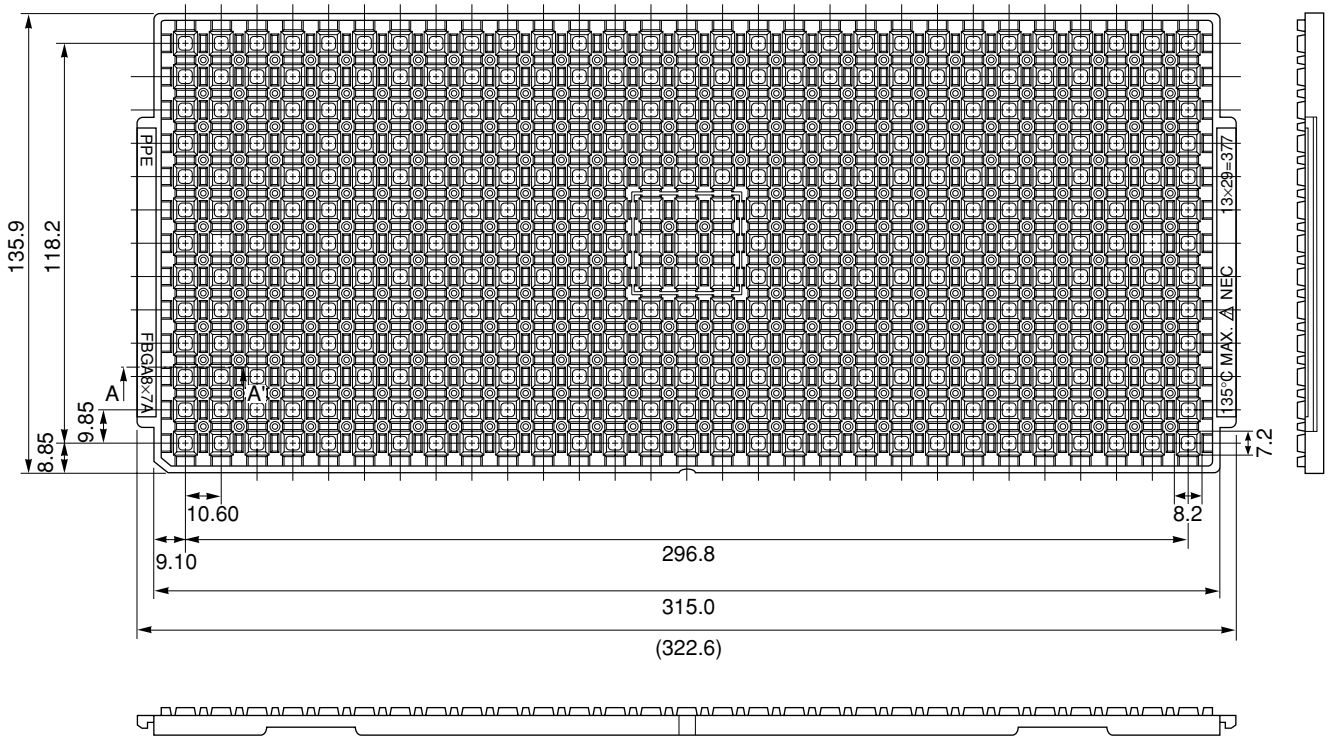
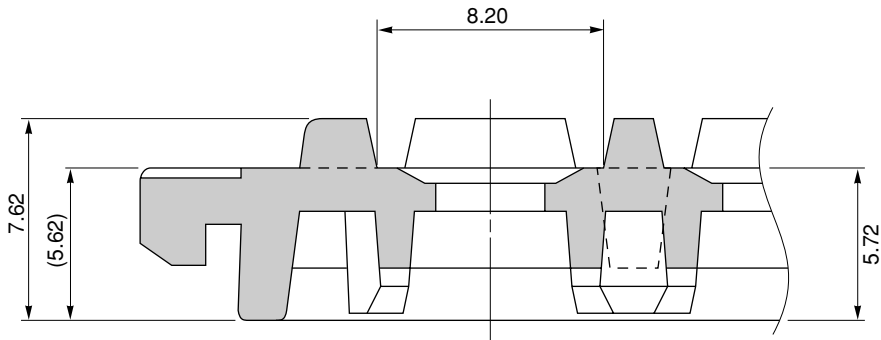


TRAY CONTAINER

UNIT : mm



< SECTION A – A' >



Applied Package	Quantity (pcs)
100-pin • Plastic FLGA (8×7)	MAX. 377

Tray	FBGA 8×7A
Material	Carbon PPE
Heat Proof Temp.	135°C
Surface resistance	less than $1 \times 10^{12} \Omega / \square$

The tolerance of tray's dimensions are based on JEDEC STANDARD.

SSD-A-H6747