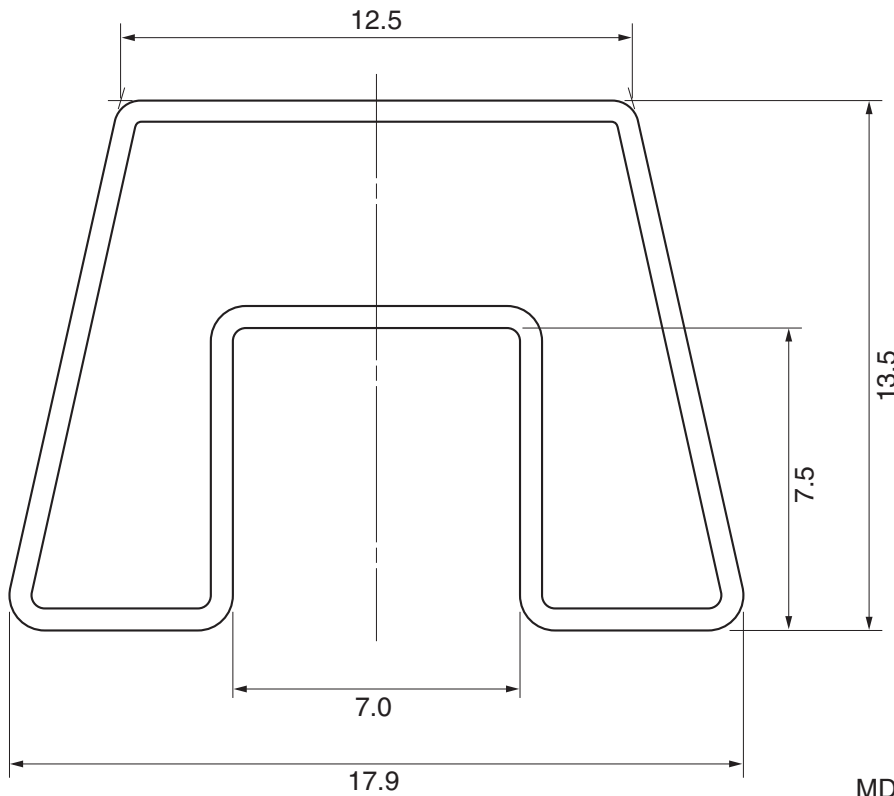


TUBE CONTAINER

UNIT : mm



MD400-05A

length : 495 ± 2.0

thickness : $0.5^{+0.2}_{-0.1}$

tolerance : ± 0.4

material : plastic (with antistatic finish)

Applied Package	Quantity (pcs)
14-pin · Plastic DIP	MAX. 24
20-pin · Plastic DIP	MAX. 17
22-pin · Plastic DIP/Ceramic DIP (cerdip)	MAX. 17
24-pin · Plastic DIP	MAX. 13
24-pin · Ceramic DIP (cerdip)	MAX. 15
28-pin · Plastic DIP/Ceramic DIP (cerdip)	MAX. 13
28-pin · Plastic · shrink DIP	MAX. 17
30-pin · Plastic · shrink DIP	MAX. 17