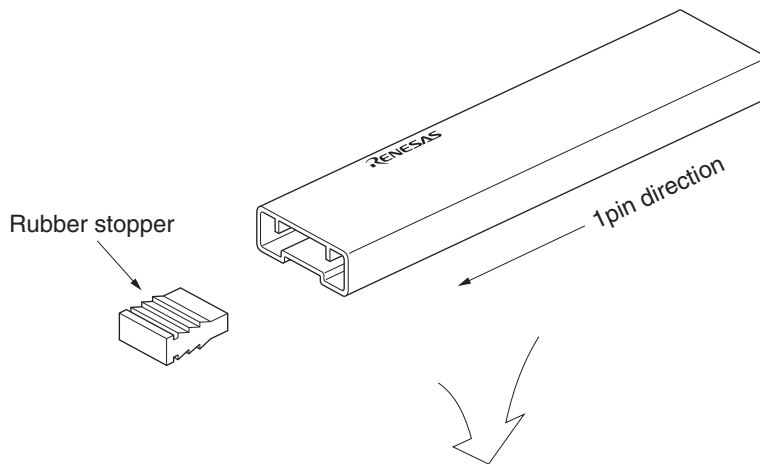
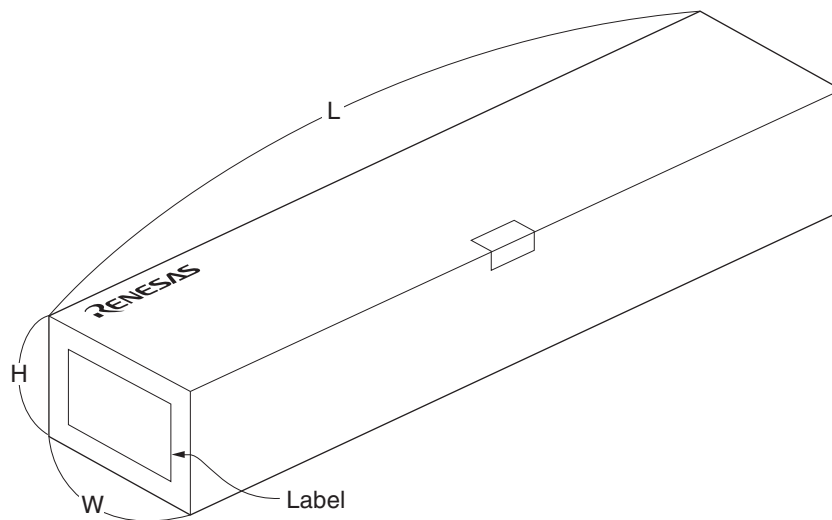


TUBE PACKING

1. CONTAINER



2. INNER BOX



CONTAINER			INNER BOX		
Applied package	Tube	Quantity (pcs)	Dimension(mm) (W x H x L)	Quantity (tube)	Note
16-pin Plastic SOP	MM375-06A	MAX. 48	163 x 135 x 532	MAX. 200	Polyethylene bag (50 tubes / bag x 4) Aluminum laminated dry bag (50 tubes / bag x 4)
20-pin Plastic SOP		MAX. 38			
24-pin Plastic SOP		MAX. 31	166 x 81 x 532	MAX. 100	Polyethylene bag (50 tubes / bag x 2) Aluminum laminated dry bag (50 tubes / bag x 2)
28-pin Plastic SOP		MAX. 27			