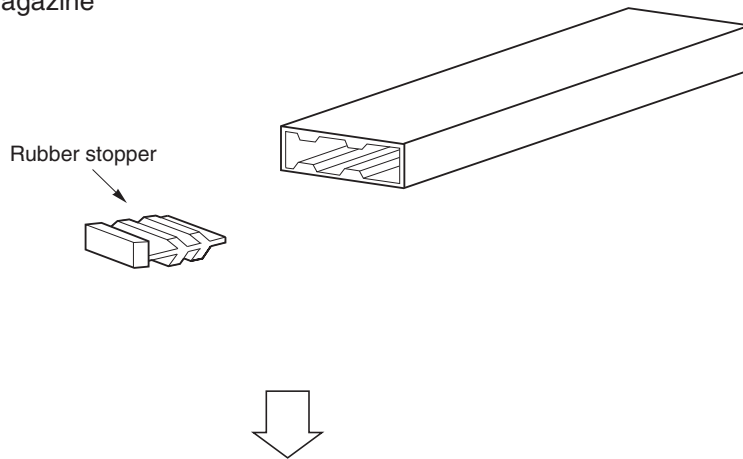


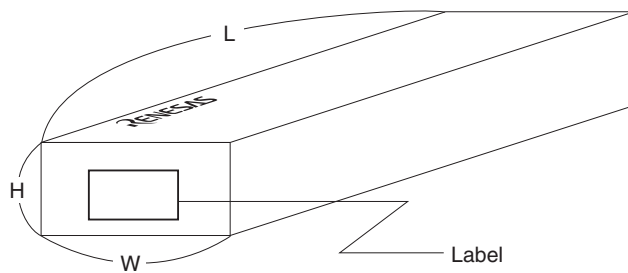
TUBE PACKING

1. CONTAINER

○ Magazine



2. INNER BOX



LABEL	PRODUCT NAME, QUANTITY, LOT NUMBER, CLASS
-------	-------------------------------------------

CONTAINER			INNER BOX		
Applied Package	Tube	Quantity (pcs)	Dimension (mm) (WxHxL)	Quantity (Tube)	Note
8-pin Plastic SOP	PB-98 MM300-04A MM300-2A	MAX. 80	125x85X540	MAX. 100	Polyethylene bag (50 tubes / bag) Aluminum laminated dry bag (50 tubes / bag)
14-pin Plastic SOP		MAX. 50			
16-pin Plastic SOP					
18-pin Plastic SOP					
20-pin Plastic SOP					