

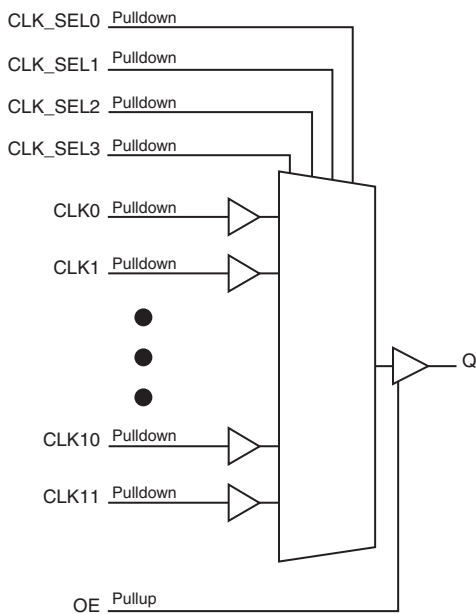
General Description

The 850S1201 is a low skew 12:1 Single-ended Clock Multiplexer. The 850S1201 has 12 selectable single-ended clock inputs and 1 single-ended clock output. The device operates up to 250MHz and is packaged in a 20 TSSOP package.

Features

- 12:1 single-ended multiplexer
- Nominal output impedance: 20Ω (V_{DD} = 3.3V)
- Maximum output frequency: 250MHz
- Propagation delay: 2.7ns (maximum)
- Full 3.3V or 2.5V supply modes
- -40°C to 85°C ambient operating temperature
- Available in lead-free (RoHS 6) package

Block Diagram



Pin Assignment

CLK8	1	20	CLK7
CLK9	2	19	CLK6
CLK10	3	18	CLK5
CLK11	4	17	CLK4
V _{DD}	5	16	CLK3
CLK_SEL0	6	15	CLK2
CLK_SEL1	7	14	CLK1
CLK_SEL2	8	13	CLK0
CLK_SEL3	9	12	GND
OE	10	11	Q

850S1201
20-Lead TSSOP
6.50mm x 4.40mm x 0.925mm
package body
G Package
Top View

Pin Description and Pin Characteristics

Table 1. Pin Descriptions

Number	Name	Type		Description
1	CLK8	Input	Pulldown	Single-ended clock input. LVCMOS/LVTTL interface levels.
2	CLK9	Input	Pulldown	Single-ended clock input. LVCMOS/LVTTL interface levels.
3	CLK10	Input	Pulldown	Single-ended clock input. LVCMOS/LVTTL interface levels.
4	CLK11	Input	Pulldown	Single-ended clock input. LVCMOS/LVTTL interface levels.
5	V _{DD}	Power		Power supply pin.
6, 7, 8, 9	CLK_SEL0, CLK_SEL1, CLK_SEL2, CLK_SEL3	Input	Pulldown	Clock select inputs. See Table 3. LVCMOS / LVTTL interface levels.
10	OE	Input	Pullup	Output enable pin for Q output. LVCMOS/LVTTL interface levels.
11	Q	Output		Single-ended clock output. LVCMOS/LVTTL interface levels.
12	GND	Power		Power supply ground.
13	CLK0	Input	Pulldown	Single-ended clock input. LVCMOS/LVTTL interface levels.
14	CLK1	Input	Pulldown	Single-ended clock input. LVCMOS/LVTTL interface levels.
15	CLK2	Input	Pulldown	Single-ended clock input. LVCMOS/LVTTL interface levels.
16	CLK3	Input	Pulldown	Single-ended clock input. LVCMOS/LVTTL interface levels.
17	CLK4	Input	Pulldown	Single-ended clock input. LVCMOS/LVTTL interface levels.
18	CLK5	Input	Pulldown	Single-ended clock input. LVCMOS/LVTTL interface levels.
19	CLK6	Input	Pulldown	Single-ended clock input. LVCMOS/LVTTL interface levels.
20	CLK7	Input	Pulldown	Single-ended clock input. LVCMOS/LVTTL interface levels.

NOTE: *Pullup and Pulldown* refer to internal input resistors. See Table 2, *Pin Characteristics*, for typical values.

Table 2. Pin Characteristics

Symbol	Parameter	Test Conditions	Minimum	Typical	Maximum	Units
C _{IN}	Input Capacitance			2		pF
C _{PD}	Power Dissipation Capacitance	V _{DD} = 3.465V		10		pF
		V _{DD} = 2.625V		8		pF
R _{PULLUP}	Input Pullup Resistor			51		kΩ
R _{PULLDOWN}	Input Pulldown Resistor			51		kΩ
R _{OUT}	Output Impedance	V _{DD} = 3.3V±5%		20		Ω
		V _{DD} = 2.5V±5%		25		Ω

Function Tables

Table 3. Clock Input Function Table

Inputs				Input Selected to Q
CLK_SEL3	CLK_SEL2	CLK_SEL1	CLK_SEL0	
0	0	0	0	CLK0
0	0	0	1	CLK1
0	0	1	0	CLK2
0	0	1	1	CLK3
0	1	0	0	CLK4
0	1	0	1	CLK5
0	1	1	0	CLK6
0	1	1	1	CLK7
1	0	0	0	CLK8
1	0	0	1	CLK9
1	0	1	0	CLK10
1	0	1	1	CLK11
1	1	0	0	Output goes LOW
1	1	0	1	Output goes LOW
1	1	1	0	Output goes LOW
1	1	1	1	Output goes LOW

Absolute Maximum Ratings

NOTE: Stresses beyond those listed under *Absolute Maximum Ratings* may cause permanent damage to the device. These ratings are stress specifications only. Functional operation of product at these conditions or any conditions beyond those listed in the *DC Characteristics* or *AC Characteristics* is not implied. Exposure to absolute maximum rating conditions for extended periods may affect product reliability.

Item	Rating
Supply Voltage, V_{DD}	4.6V
Inputs, V_I	-0.5V to $V_{DD} + 0.5V$
Outputs, V_O	-0.5V to $V_{DD} + 0.5V$
Package Thermal Impedance, θ_{JA}	87.2°C/W (0 mps)
Storage Temperature, T_{STG}	-65°C to 150°C

DC Electrical Characteristics

Table 4A. Power Supply DC Characteristics, $V_{DD} = 3.3V \pm 5\%$, $T_A = -40^\circ C$ to $85^\circ C$

Symbol	Parameter	Test Conditions	Minimum	Typical	Maximum	Units
V_{DD}	Positive Supply Voltage		3.135	3.3	3.465	V
I_{DD}	Power Supply Current	Output Unterminated			49	mA

Table 4B. Power Supply DC Characteristics, $V_{DD} = 2.5V \pm 5\%$, $T_A = -40^\circ C$ to $85^\circ C$

Symbol	Parameter	Test Conditions	Minimum	Typical	Maximum	Units
V_{DD}	Positive Supply Voltage		2.375	2.5	2.625	V
I_{DD}	Power Supply Current	Output Unterminated			41	mA

Table 4C. LVCMOS/LVTTL DC Characteristics, $V_{DD} = 3.3V \pm 5\%$ or $2.5V \pm 5\%$, $T_A = -40^{\circ}C$ to $85^{\circ}C$

Symbol	Parameter	Test Conditions	Minimum	Typical	Maximum	Units
V_{IH}	Input High Voltage	$V_{DD} = 3.465V$	2		$V_{DD} + 0.3$	V
		$V_{DD} = 2.625V$	1.7		$V_{DD} + 0.3$	V
V_{IL}	Input Low Voltage	$V_{DD} = 3.465V$	-0.3		0.8	V
		$V_{DD} = 2.625V$	-0.3		0.7	V
I_{IH}	Input High Current	CLK[0:11], CLK_SEL[0:3] $V_{DD} = V_{IN} = 3.465V$ or $2.625V$			150	μA
		OE $V_{DD} = V_{IN} = 3.465V$ or $2.625V$			10	μA
I_{IL}	Input Low Current	CLK[0:11], CLK_SEL[0:3] $V_{DD} = 3.465V$ or $2.625V$, $V_{IN} = 0V$	-10			μA
		OE $V_{DD} = 3.465V$ or $2.625V$, $V_{IN} = 0V$	-150			μA
V_{OH}	Output High Voltage; NOTE 1	$V_{DD} = 3.3V \pm 5\%$, $I_{OH} = -12mA$	2.6			V
		$V_{DD} = 2.5V \pm 5\%$, $I_{OH} = -12mA$	1.8			V
V_{OL}	Output Low Voltage; NOTE 1	$V_{DD} = 3.3V \pm 5\%$ or $2.5V \pm 5\%$, $I_{OL} = 12mA$			0.5	V

NOTE 1: Output terminated with 50Ω to $V_{DD}/2$. See Parameter Measurement Information section. *Load Test Circuit diagrams.*

AC Electrical Characteristics

Table 5A. AC Characteristics, $V_{DD} = 3.3V \pm 5\%$, $T_A = -40^{\circ}C$ to $85^{\circ}C$

Symbol	Parameter	Test Conditions	Minimum	Typical	Maximum	Units
f_{MAX}	Output Frequency				250	MHz
t_{PLH}	Propagation Delay, Low-to-High; NOTE 1		1.4		2.7	ns
τ_{jit}	Buffer Additive Phase Jitter, RMS; refer to Additive Phase Jitter Section	155.52MHz, Integration Range: 12kHz – 20MHz		0.35		ps
$t_{sk(i)}$	Input Skew				175	ps
$t_{sk(pp)}$	Part-to-Part Skew; NOTE 2, 3				600	ps
t_R / t_F	Output Rise/Fall Time	20% to 80%	100		500	ps
odc	Output Duty Cycle; NOTE 4	$f \leq 200MHz$	46		54	%
		$f = 250MHz$	40		60	%
$MUX_{ISOLATION}$	MUX Isolation	155.52MHz		43		dB

NOTE: Electrical parameters are guaranteed over the specified ambient operating temperature range, which is established when the device is mounted in a test socket with maintained transverse airflow greater than 500 lpm. The device will meet specifications after thermal equilibrium has been reached under these conditions.

NOTE 1: Measured from $V_{DD}/2$ of the input to $V_{DD}/2$ of the output.

NOTE 2: Defined as skew between outputs on different devices operating at the same supply voltage and with equal load conditions. Using the same type of inputs on each device, the outputs are measured at the differential cross points.

NOTE 3: This parameter is defined according with JEDEC Standard 65.

NOTE 4: Input duty cycle must be 50%.

Table 5B. AC Characteristics, $V_{DD} = 2.5V \pm 5\%$, $T_A = -40^{\circ}C$ to $85^{\circ}C$

Symbol	Parameter	Test Conditions	Minimum	Typical	Maximum	Units
f_{MAX}	Output Frequency				250	MHz
t_{pLH}	Propagation Delay, Low-to-High; NOTE 1		1.5		2.7	ns
f_{jit}	Buffer Additive Phase Jitter, RMS; refer to Additive Phase Jitter Section	155.52MHz, Integration Range: 12kHz – 20MHz		0.32		ps
$t_{sk(i)}$	Input Skew				195	ps
$t_{sk(pp)}$	Part-to-Part Skew; NOTE 2, 3				600	ps
t_R / t_F	Output Rise/Fall Time	20% to 80%	80		600	ps
odc	Output Duty Cycle; NOTE 4	$f \leq 200MHz$	46		54	%
		$f = 250MHz$	40		60	%
$MUX_{ISOLATION}$	MUX Isolation	155.52MHz		43		dB

NOTE: Electrical parameters are guaranteed over the specified ambient operating temperature range, which is established when the device is mounted in a test socket with maintained transverse airflow greater than 500 lpm. The device will meet specifications after thermal equilibrium has been reached under these conditions.

NOTE 1: Measured from $V_{DD}/2$ of the input to $V_{DD}/2$ of the output.

NOTE 2: Defined as skew between outputs on different devices operating at the same supply voltage and with equal load conditions. Using the same type of inputs on each device, the outputs are measured at the differential cross points.

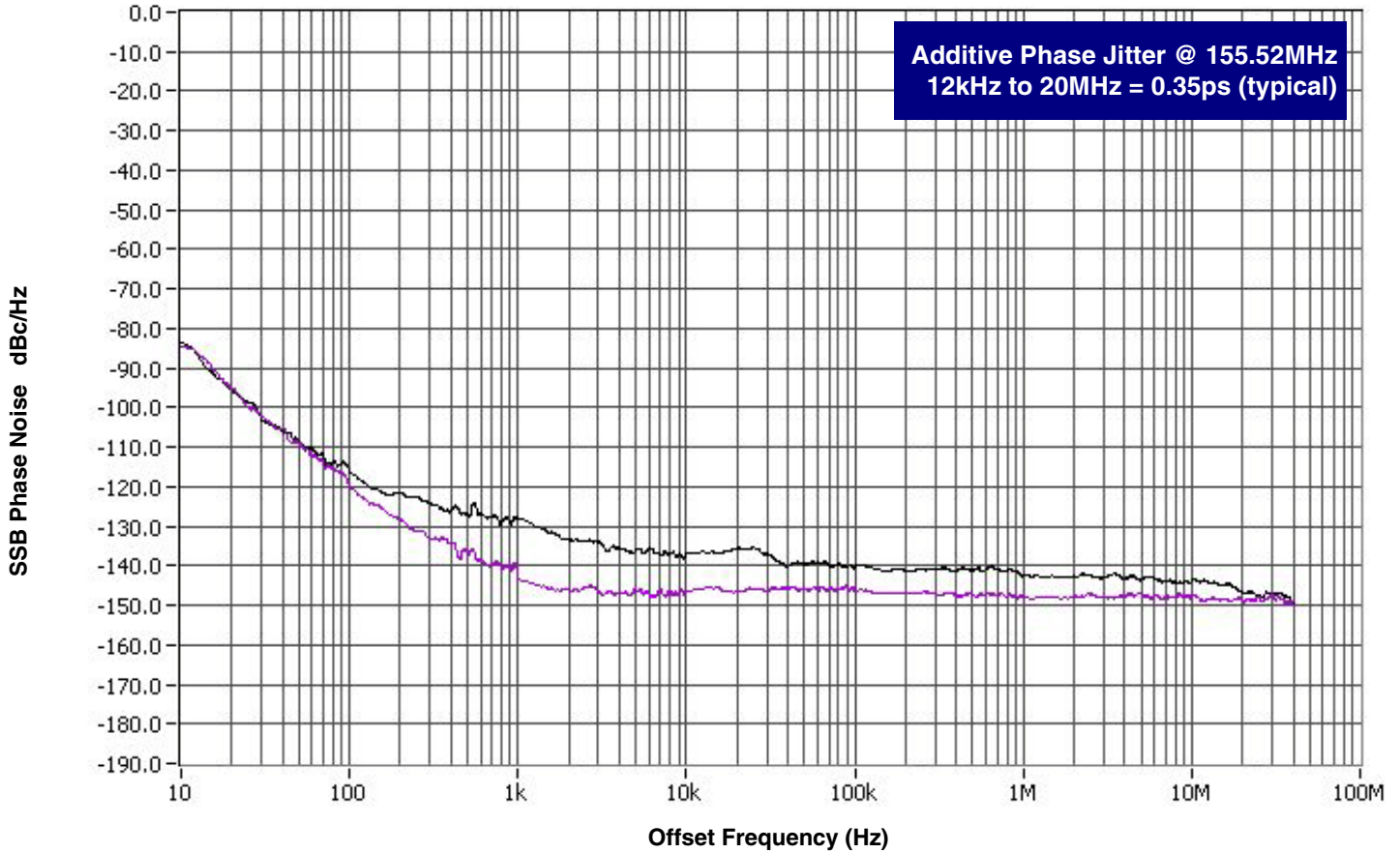
NOTE 3: This parameter is defined according with JEDEC Standard 65.

NOTE 4: Input duty cycle must be 50%.

Additive Phase Jitter

The spectral purity in a band at a specific offset from the fundamental compared to the power of the fundamental is called the **dBc Phase Noise**. This value is normally expressed using a Phase noise plot and is most often the specified plot in many applications. Phase noise is defined as the ratio of the noise power present in a 1Hz band at a specified offset from the fundamental frequency to the power value of the fundamental. This ratio is expressed in decibels (dBm) or a ratio

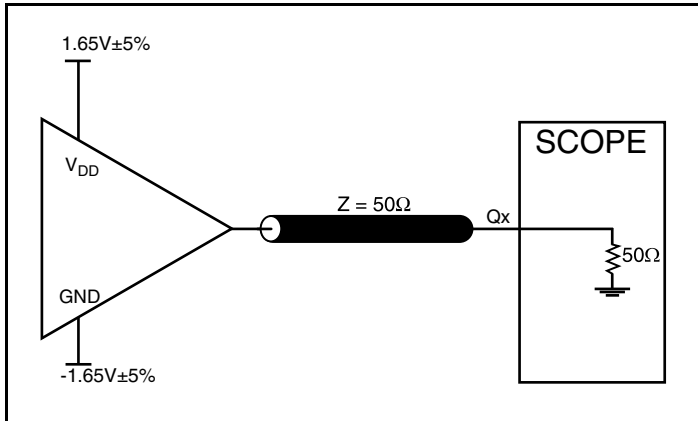
of the power in the 1Hz band to the power in the fundamental. When the required offset is specified, the phase noise is called a **dBc** value, which simply means dBm at a specified offset from the fundamental. By investigating jitter in the frequency domain, we get a better understanding of its effects on the desired application over the entire time record of the signal. It is mathematically possible to calculate an expected bit error rate given a phase noise plot.



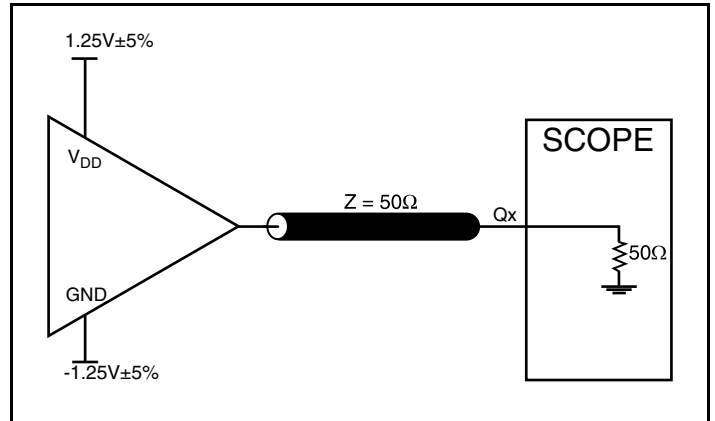
As with most timing specifications, phase noise measurements has issues relating to the limitations of the equipment. Often the noise floor of the equipment is higher than the noise floor of the device. This

is illustrated above. The device meets the noise floor of what is shown, but can actually be lower. The phase noise is dependent on the input source and measurement equipment.

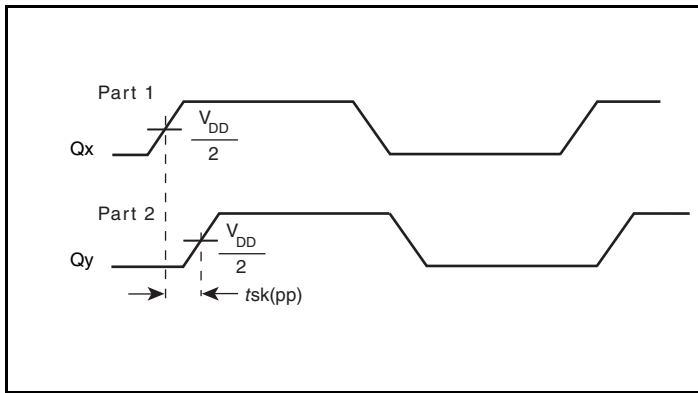
Parameter Measurement Information



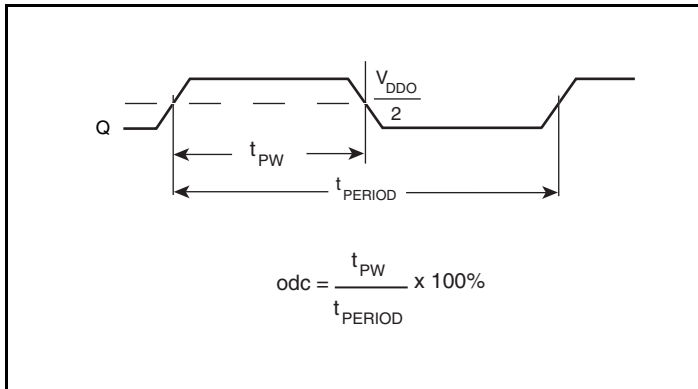
3.3V Output Load AC Test Circuit



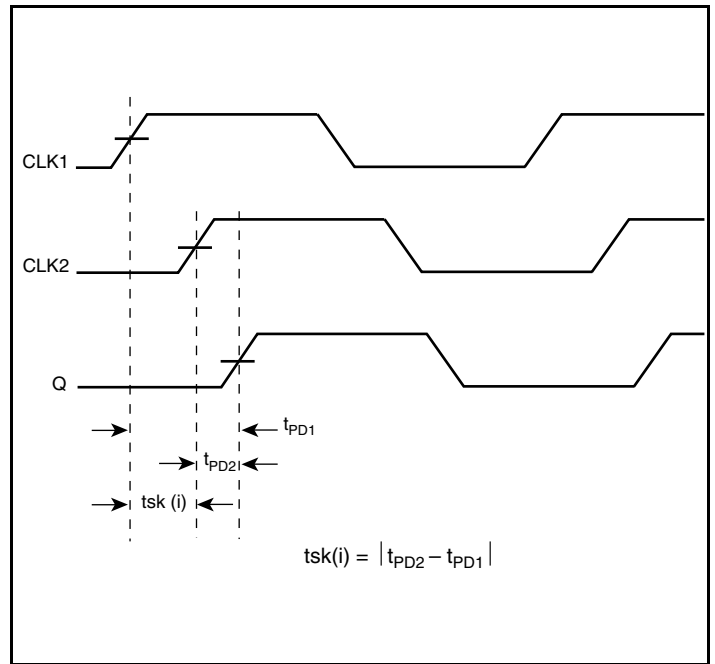
2.5V Output Load AC Test Circuit



Part-to-Part Skew

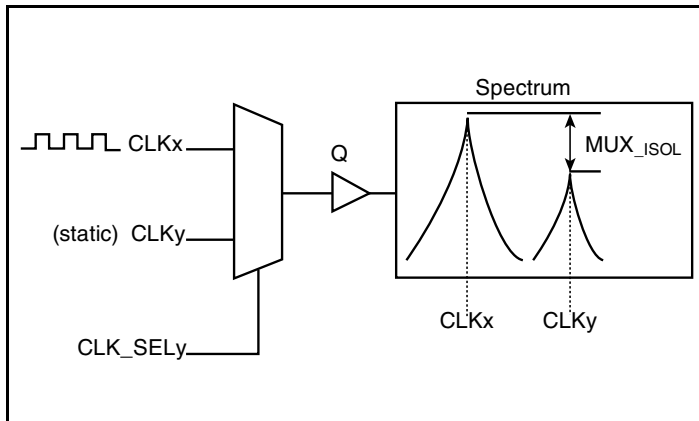


Output Duty Cycle/Pulse Width/Period

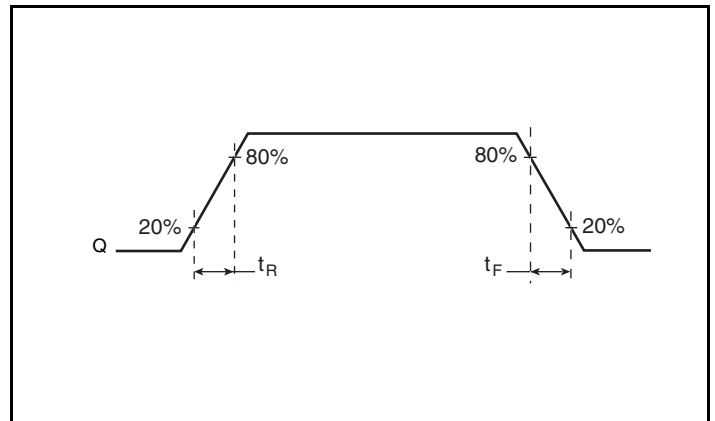


Input Skew

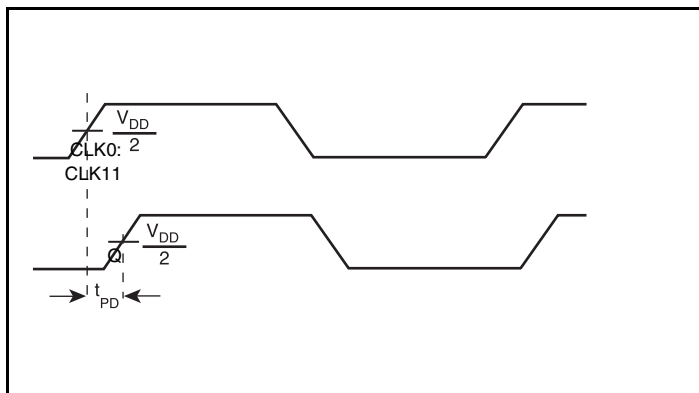
Parameter Measurement Information, continued



MUX Isolation



Output Rise/Fall Time



Propagation Delay

Recommendations for Unused Input Pins

Inputs:

CLK Inputs

For applications not requiring the use of a clock input, it can be left floating. Though not required, but for additional protection, a $1\text{k}\Omega$ resistor can be tied from the CLK input to ground.

LVC MOS Control Pins

All control pins have internal pull-ups or pull-downs; additional resistance is not required but can be added for additional protection. A $1\text{k}\Omega$ resistor can be used.

Reliability Information

Table 6. θ_{JA} vs. Air Flow Table for a 20 Lead TSSOP

θ_{JA} vs. Air Flow			
Meters per Second	0	1	2.5
Multi-Layer PCB, JEDEC Standard Test Boards	87.2°C/W	82.9	80.7

Transistor Count

The transistor count for 850S1201 is: 649

Package Outline and Package Dimensions

Package Outline - G Suffix for 20 Lead TSSOP

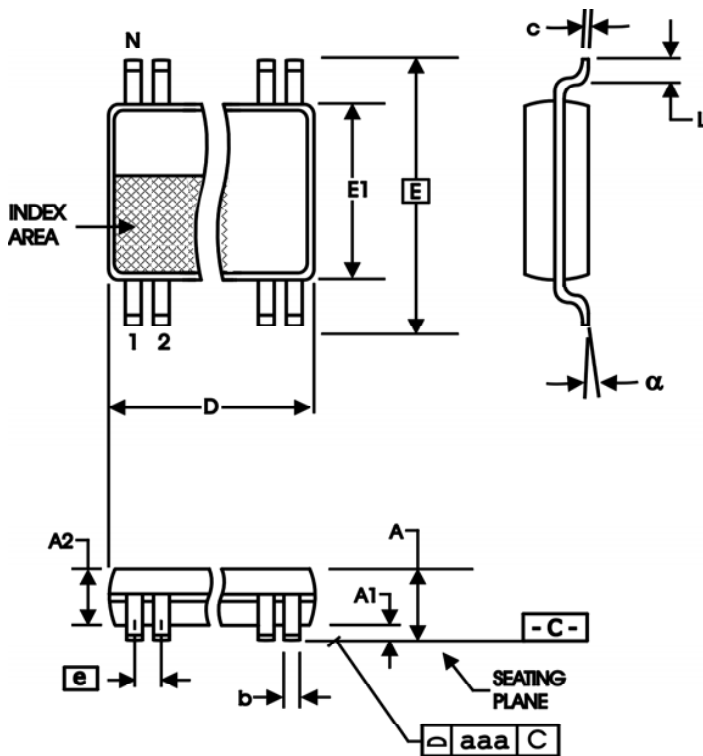


Table 7. Package Dimensions

All Dimensions in Millimeters		
Symbol	Minimum	Maximum
N	20	
A		1.20
A1	0.05	0.15
A2	0.80	1.05
b	0.19	0.30
c	0.09	0.20
D	6.40	6.60
E	6.40 Basic	
E1	4.30	4.50
e	0.65 Basic	
L	0.45	0.75
α	0°	8°
aaa		0.10

Reference Document: JEDEC Publication 95, MO-153

Ordering Information

Table 8. Ordering Information

Part/Order Number	Marking	Package	Shipping Packaging	Temperature
850S1201BGILF	ICS0S1201BIL	"Lead-Free" 20 Lead TSSOP	Tube	-40°C to 85°C
850S1201BGILFT	ICS0S1201BIL	"Lead-Free" 20 Lead TSSOP	Tape & Reel	-40°C to 85°C

NOTE: Parts that are ordered with an "LF" suffix to the part number are the Pb-Free configuration and are RoHS compliant.

Revision History Sheet

Rev	Table	Page	Description of Change	Date
A	T5A, T5B T8	5, 6 11	AC Characteristics Table - added thermal note. Ordering Information Table - correct Part/Order Number from 850S1201AGILF/T to 850S1201BGILF/T.	1/4/10
B		1	General Description - deleted HiperClocks logo. Throughout the datasheet - deleted "ICS" prefix and "I" suffix from the part number. Updated header/footer.	2/8/16

IMPORTANT NOTICE AND DISCLAIMER

RENESAS ELECTRONICS CORPORATION AND ITS SUBSIDIARIES (“RENESAS”) PROVIDES TECHNICAL SPECIFICATIONS AND RELIABILITY DATA (INCLUDING DATASHEETS), DESIGN RESOURCES (INCLUDING REFERENCE DESIGNS), APPLICATION OR OTHER DESIGN ADVICE, WEB TOOLS, SAFETY INFORMATION, AND OTHER RESOURCES “AS IS” AND WITH ALL FAULTS, AND DISCLAIMS ALL WARRANTIES, EXPRESS OR IMPLIED, INCLUDING, WITHOUT LIMITATION, ANY IMPLIED WARRANTIES OF MERCHANTABILITY, FITNESS FOR A PARTICULAR PURPOSE, OR NON-INFRINGEMENT OF THIRD-PARTY INTELLECTUAL PROPERTY RIGHTS.

These resources are intended for developers who are designing with Renesas products. You are solely responsible for (1) selecting the appropriate products for your application, (2) designing, validating, and testing your application, and (3) ensuring your application meets applicable standards, and any other safety, security, or other requirements. These resources are subject to change without notice. Renesas grants you permission to use these resources only to develop an application that uses Renesas products. Other reproduction or use of these resources is strictly prohibited. No license is granted to any other Renesas intellectual property or to any third-party intellectual property. Renesas disclaims responsibility for, and you will fully indemnify Renesas and its representatives against, any claims, damages, costs, losses, or liabilities arising from your use of these resources. Renesas' products are provided only subject to Renesas' Terms and Conditions of Sale or other applicable terms agreed to in writing. No use of any Renesas resources expands or otherwise alters any applicable warranties or warranty disclaimers for these products.

(Disclaimer Rev.1.01 Jan 2024)

Corporate Headquarters

TOYOSU FORESIA, 3-2-24 Toyosu,
Koto-ku, Tokyo 135-0061, Japan
www.renesas.com

Trademarks

Renesas and the Renesas logo are trademarks of Renesas Electronics Corporation. All trademarks and registered trademarks are the property of their respective owners.

Contact Information

For further information on a product, technology, the most up-to-date version of a document, or your nearest sales office, please visit www.renesas.com/contact-us/.