

SLG59M1563V

An Ultra-small, 22.5 mΩ, 2.5 A Load Switch with Reverse Blocking

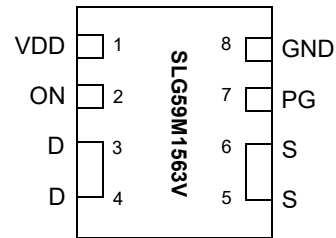
General Description

The SLG59M1563V is a 22.5 mΩ, 2.5 A single-channel load switch that is able to switch 1 V to 5 V power rails. The product is packaged in an ultra-small 1.0 x 1.6 mm package.

Features

- 1.0 x 1.6 x 0.55 mm STDFN 8L package (2 fused pins for drain and 2 fused pins for source)
- Logic level ON pin capable of supporting 0.85 V CMOS Logic
- 22.5 mΩ RDS_{ON} while supporting 2.5 A
- Power Good Output
- Pb-Free / Halogen-Free / RoHS compliant
- Operating Temperature: -40 °C to 85°C
- Operating Voltage: 1.5 V to 5.5 V

Pin Configuration

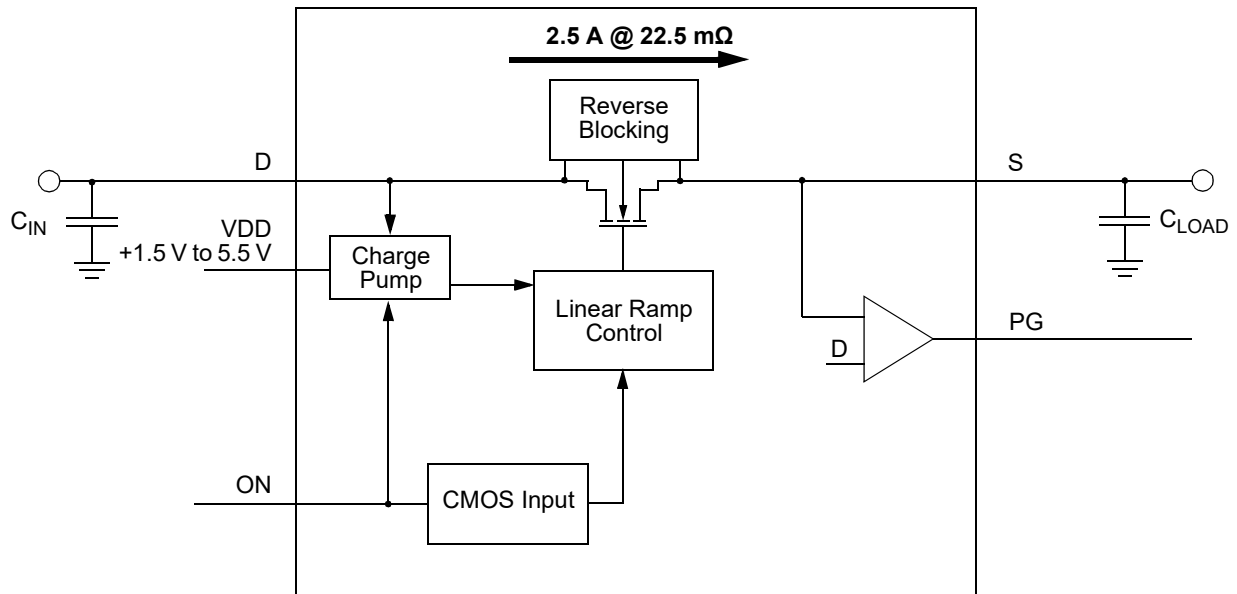


8-pin FC-TDFN
(Top View)

Applications

- Notebook Power Rail Switching
- Tablet Power Rail Switching
- Smartphone Power Rail Switching

Block Diagram



SLG59M1563V

An Ultra-small, 22.5 mΩ, 2.5 A Load Switch
with Reverse Blocking

Pin Description

Pin #	Pin Name	Type	Pin Description
1	VDD	Power	VDD supplies the power for the operation of the load switch and internal control circuitry. Bypass the VDD pin to GND with a 0.1 μF (or larger) capacitor.
2	ON	Input	A low-to-high transition on this pin initiates the operation of the SLG59M1563V's state machine. ON is a CMOS input with ON_V _{IL} < 0.3 V and ON_V _{IH} > 0.85 V thresholds. While there is an internal pull-down circuit to GND (~4 MΩ), connect this pin directly to a general-purpose output (GPO) of a microcontroller, an application processor, or a system controller.
3, 4	D	MOSFET	Drain terminal connection of the n-channel MOSFET (2 pins fused for D). Connect at least a low-ESR 0.1 μF capacitor from this pin to ground. Capacitors used at D should be rated at 10 V or higher.
5, 6	S	MOSFET	Source terminal connection of the n-channel MOSFET (2 pins fused for S). Connect a low-ESR capacitor from this pin to ground and consult the Electrical Characteristics table for recommended C _{LOAD} range. Capacitors used at S should be rated at 10 V or higher.
7	PG	Output	A push pull output. PG is asserted HIGH when V _S > 95% of V _D .
8	GND	GND	Ground connection. Connect this pin to system analog or power ground plane.

Ordering Information

Part Number	Type	Production Flow
SLG59M1563V	STDFN 8L	Industrial, -40 °C to 85 °C
SLG59M1563VTR	STDFN 8L (Tape and Reel)	Industrial, -40 °C to 85 °C

SLG59M1563V

An Ultra-small, 22.5 mΩ, 2.5 A Load Switch
with Reverse Blocking

Absolute Maximum Ratings

Parameter	Description	Conditions	Min.	Typ.	Max.	Unit
V _{DD}	Power Supply		--	--	7	V
T _S	Storage Temperature		-65	--	150	°C
ESD _{HBM}	ESD Protection	Human Body Model	2000	--	--	V
W _{DIS}	Package Power Dissipation		--	--	0.4	W
MOSFET I _{DS(PK)}	Peak Current from Drain to Source	For no more than 1 ms with 1% duty cycle	--	--	3.5	A

Note: Stresses greater than those listed under "Absolute Maximum Ratings" may cause permanent damage to the device. This is a stress rating only and functional operation of the device at these or any other conditions above those indicated in the operational sections of this specification is not implied. Exposure to absolute maximum rating conditions for extended periods may affect reliability.

Electrical Characteristics

T_A = -40 °C to 85 °C unless otherwise noted. Typical values are at T_A = 25 °C, unless otherwise noted.

Parameter	Description	Conditions	Min.	Typ.	Max.	Unit
V _{DD}	Power Supply Voltage	-40 °C to 85 °C	1.5	--	5.5	V
I _{DD}	Power Supply Current (PIN 1)	when OFF	--	--	1	μA
		when ON, No load	--	14	30	μA
RDS _{ON}	ON Resistance	T _A = 25 °C; I _{DS} = 100 mA	--	22.5	25	mΩ
		T _A = 85 °C; I _{DS} = 100 mA	--	25.6	30	mΩ
MOSFET I _{DS}	Current from D to S	Continuous	--	--	2.5	A
I _{REVERSE}	MOSFET Reverse Leakage Current	V _S = 1.0 V to 5.5 V, V _D = 0 V, ON = 0 V; V _{DD} = 1.5 V to 5.5 V; T _A = 25 °C	--	0.04	0.55	μA
		V _S = 1.0 V to 5.5 V, V _D = 0 V, ON = 0 V V _{DD} = 1.5 V to 5.5 V; T _A = 85 °C	--	0.26	1.3	μA
		V _S = 1.0 V to 5.5 V, V _D = 0 V, ON = 0 V V _{DD} = 1.5 V to 5.5 V; T _A = -40 °C	--	0.31	9.70	μA
V _D	Drain Voltage		1.0	--	V _{DD}	V
T _{ON_Delay}	ON Delay Time	50% ON to V _S Ramp Start	--	300	500	μs
T _{Total_ON}	Total Turn On Time	50% ON to 90% V _S ; Example: V _{DD} = V _D = 5 V, C _{LOAD} = 10 μF, R _{LOAD} = 20 Ω	2.1	2.6	3.1	ms
V _{S(SR)}	Slew Rate	10% V _S to 90% V _S ; Example: V _{DD} = V _D = 5 V, C _{LOAD} = 10 μF, R _{LOAD} = 20 Ω	1.4	1.95	2.2	V/ms
C _{LOAD}	Output Load Capacitance	C _{LOAD} connected from S to GND	--	--	500	μF
ON_V _{IH}	High Input Voltage on ON pin		0.85	--	V _{DD}	V
ON_V _{IL}	Low Input Voltage on ON pin		-0.3	0	0.3	V
V _{OL}	Low Output Voltage on PG pin	V _{DD} = 5 V, I _{OL} = -0.1 mA	--	--	0.4	V
V _{OH}	High Output Voltage on PG pin	V _{DD} = 5 V, I _{OH} = 0.1 mA	V _{DD} -0.4	--	V _{DD}	V
THERM _{ON}	Thermal shutoff turn-on temperature		--	125	--	°C
THERM _{OFF}	Thermal shutoff turn-off temperature		--	100	--	°C
THERM _{TIME}	Thermal shutoff time		--	--	1	ms
T _{OFF_Delay}	OFF Delay Time	50% ON to V _S Fall Start; V _{DD} = V _D = 5 V; R _{LOAD} = 20 Ω; no C _{LOAD}	--	8	--	μs

SLG59M1563V

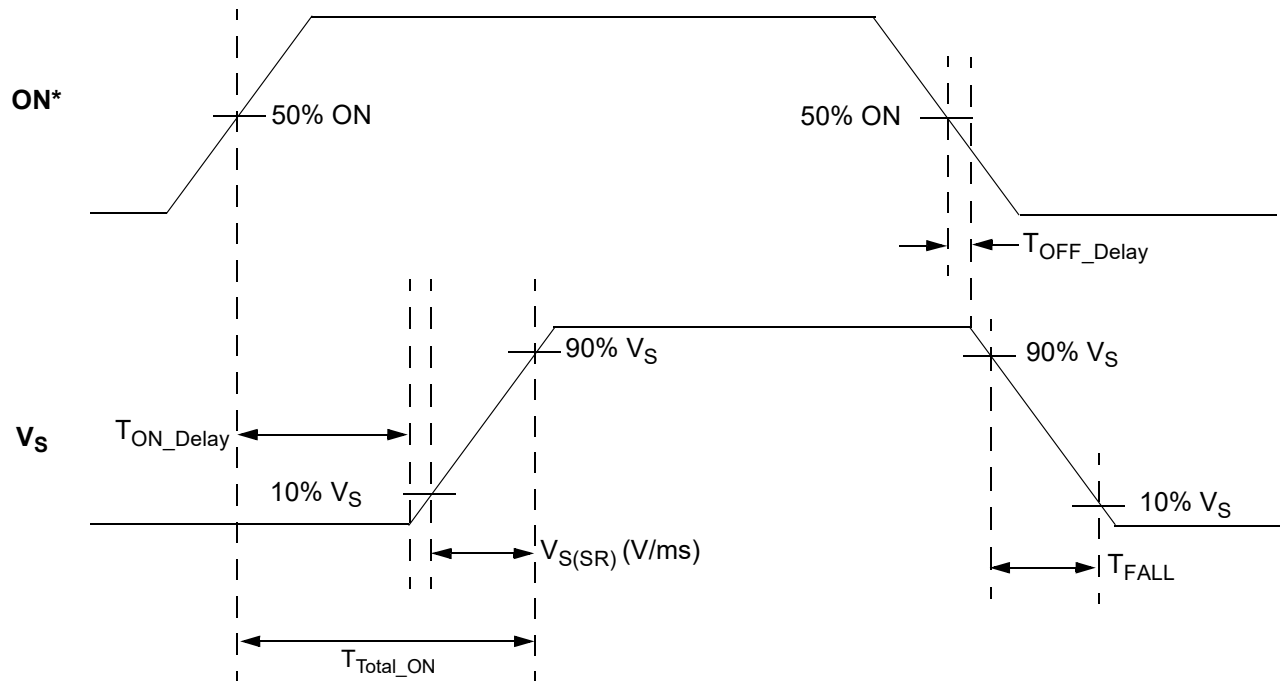
An Ultra-small, 22.5 mΩ, 2.5 A Load Switch with Reverse Blocking

Electrical Characteristics (continued)

$T_A = -40\text{ }^{\circ}\text{C}$ to $85\text{ }^{\circ}\text{C}$ unless otherwise noted. Typical values are at $T_A = 25\text{ }^{\circ}\text{C}$, unless otherwise noted.

Parameter	Description	Conditions	Min.	Typ.	Max.	Unit
PG _{TRIGGER}	Power Good Trigger Level	V_S % of V_D	--	95	--	%

T_{ON_Delay} , $V_{S(SR)}$, and T_{Total_ON} Timing Details



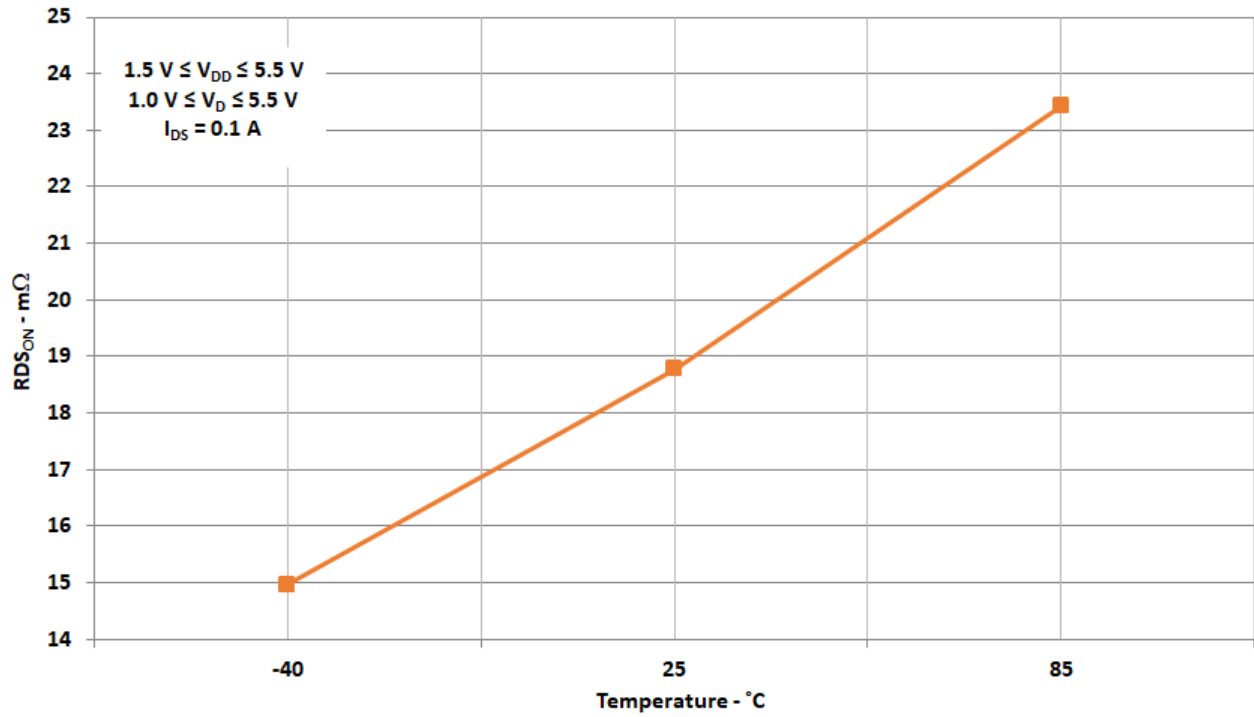
Note: * Rise and Fall times of the ON signal are 100 ns

SLG59M1563V

An Ultra-small, 22.5 mΩ, 2.5 A Load Switch with Reverse Blocking

Typical Performance Characteristics

RDS_{ON} vs. Temperature, V_{DD}, and V_{IN}



SLG59M1563V

An Ultra-small, 22.5 mΩ, 2.5 A Load Switch
with Reverse Blocking

SLG59M1563V Power-Up/Power-Down Sequence Considerations

To ensure glitch-free power-up under all conditions, apply V_{DD} first, followed by V_D after V_{DD} exceeds 1 V. Then allow V_D to reach 90% of its max value before toggling the ON pin from Low-to-High. Likewise, power-down in reverse order.

If V_{DD} and V_D need to be powered up simultaneously, glitching can be minimized by having a suitable load capacitor. A 10 μF C_{LOAD} will prevent glitches for rise times of V_{DD} and V_D higher than 2 ms.

If the ON pin is toggled HIGH before V_{DD} and V_D have reached their steady-state values, the load switch timing parameters may differ from datasheet specifications.

SLG59M1563V

An Ultra-small, 22.5 mΩ, 2.5 A Load Switch with Reverse Blocking

Layout Guidelines:

1. The VDD pin needs a 0.1 μF and 10 μF external capacitors to smooth pulses from the power supply. Locate these capacitors as close as possible to the SLG59M1563V's PIN1.
2. Since the D and S pins dissipate most of the heat generated during high-load current operation, it is highly recommended to make power traces as short, direct, and wide as possible. A good practice is to make power traces with absolute minimum widths of 15 mils (0.381 mm) per Ampere. A representative layout, shown in [Figure 1](#), illustrates proper techniques for heat to transfer as efficiently as possible out of the device;
3. To minimize the effects of parasitic trace inductance on normal operation, it is recommended to connect input C_{IN} and output C_{LOAD} low-ESR capacitors as close as possible to the SLG59M1563V's D and S pins;
4. The GND pin should be connected to system analog or power ground plane.

SLG59M1563V Evaluation Board:

A GreenFET Evaluation Board for SLG59M1563V is designed according to the statements above and is illustrated on [Figure 1](#). Please note that evaluation board has D_Sense and S_Sense pads. They cannot carry high currents and dedicated only for RDS_{ON} evaluation.

Please solder your SLG59M1563V here

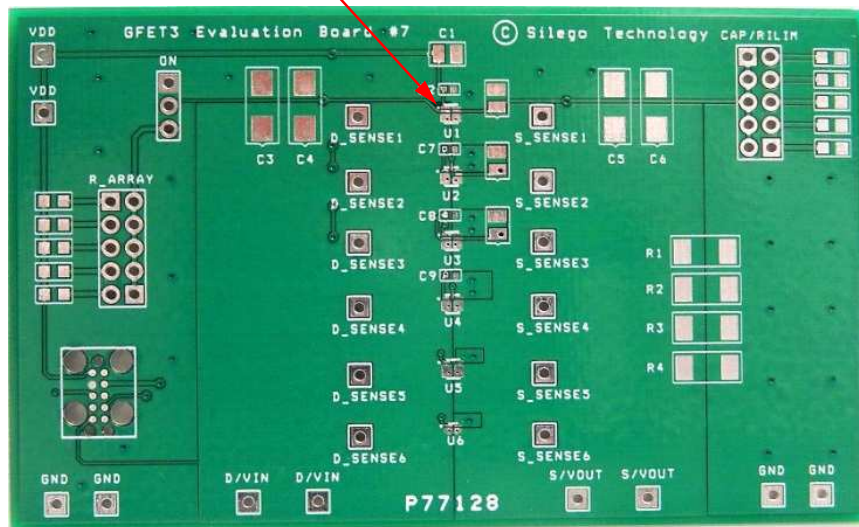


Figure 1. SLG59M1563V Evaluation Board.

SLG59M1563V

An Ultra-small, 22.5 mΩ, 2.5 A Load Switch with Reverse Blocking

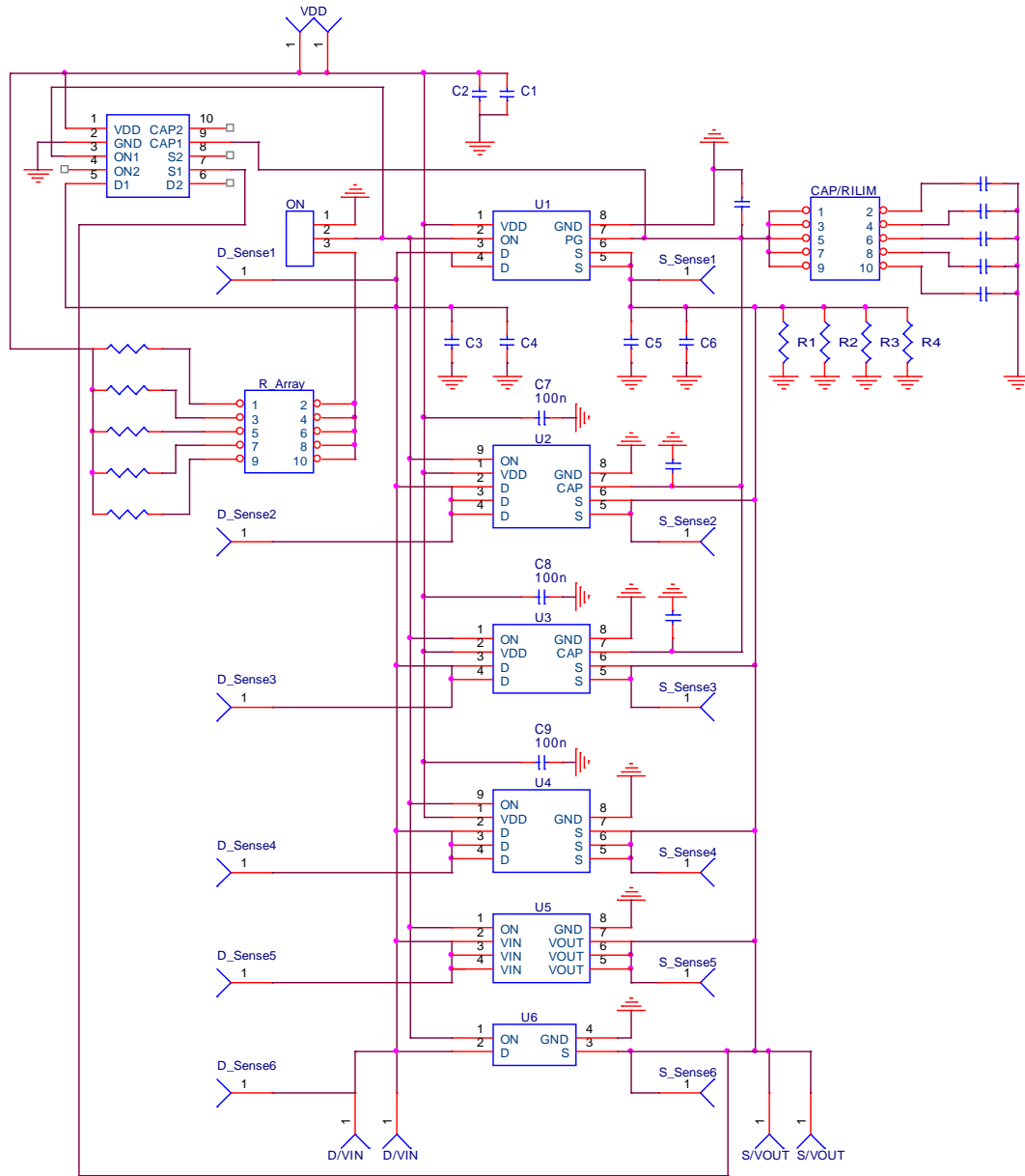


Figure 2. SLG59M1563V Evaluation Board Connection Circuit.

SLG59M1563V

An Ultra-small, 22.5 mΩ, 2.5 A Load Switch with Reverse Blocking

Basic Test Setup and Connections

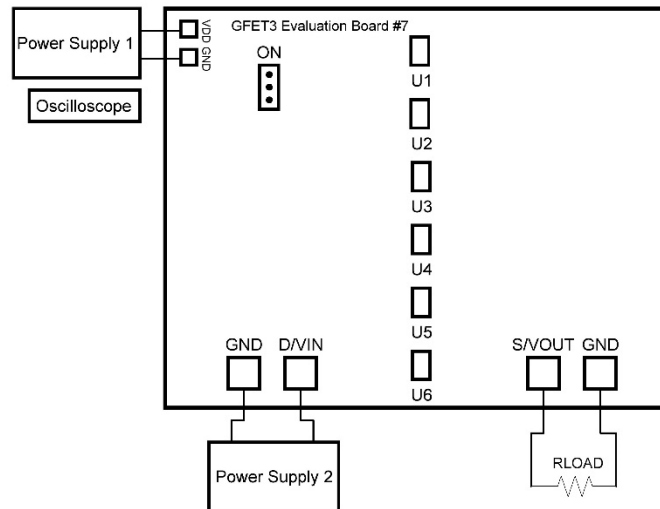


Figure 3. Typical connections for GreenFET Evaluation.

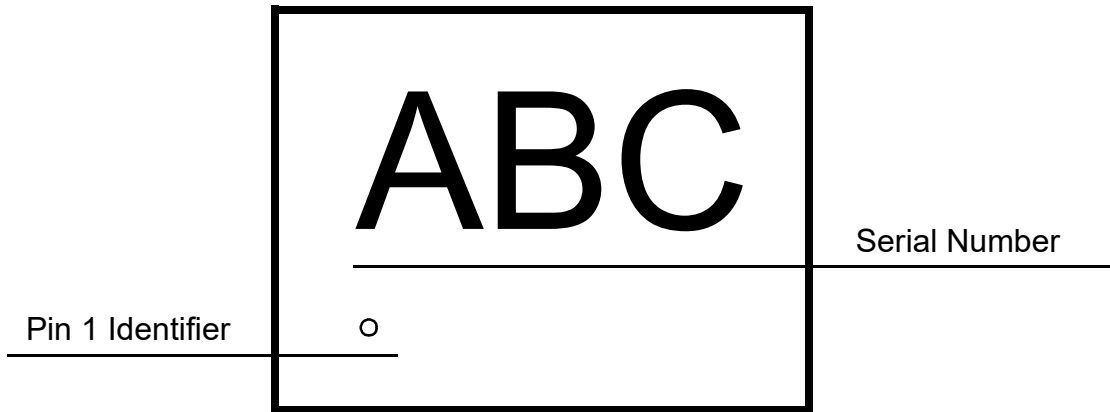
EVB Configuration

1. Connect oscilloscope probes to D/VIN, S/VOUT, ON, etc.;
2. Turn on Power Supply 1 and set desired V_{DD} from 1.5 V...5.5 V range;
3. Turn on Power Supply 2 and set desired V_D from 1 V... V_{DD} range;
4. Toggle the ON signal High or Low to observe SLG59M1563V operation.

SLG59M1563V

An Ultra-small, 22.5 mΩ, 2.5 A Load Switch
with Reverse Blocking

Package Top Marking System Definition



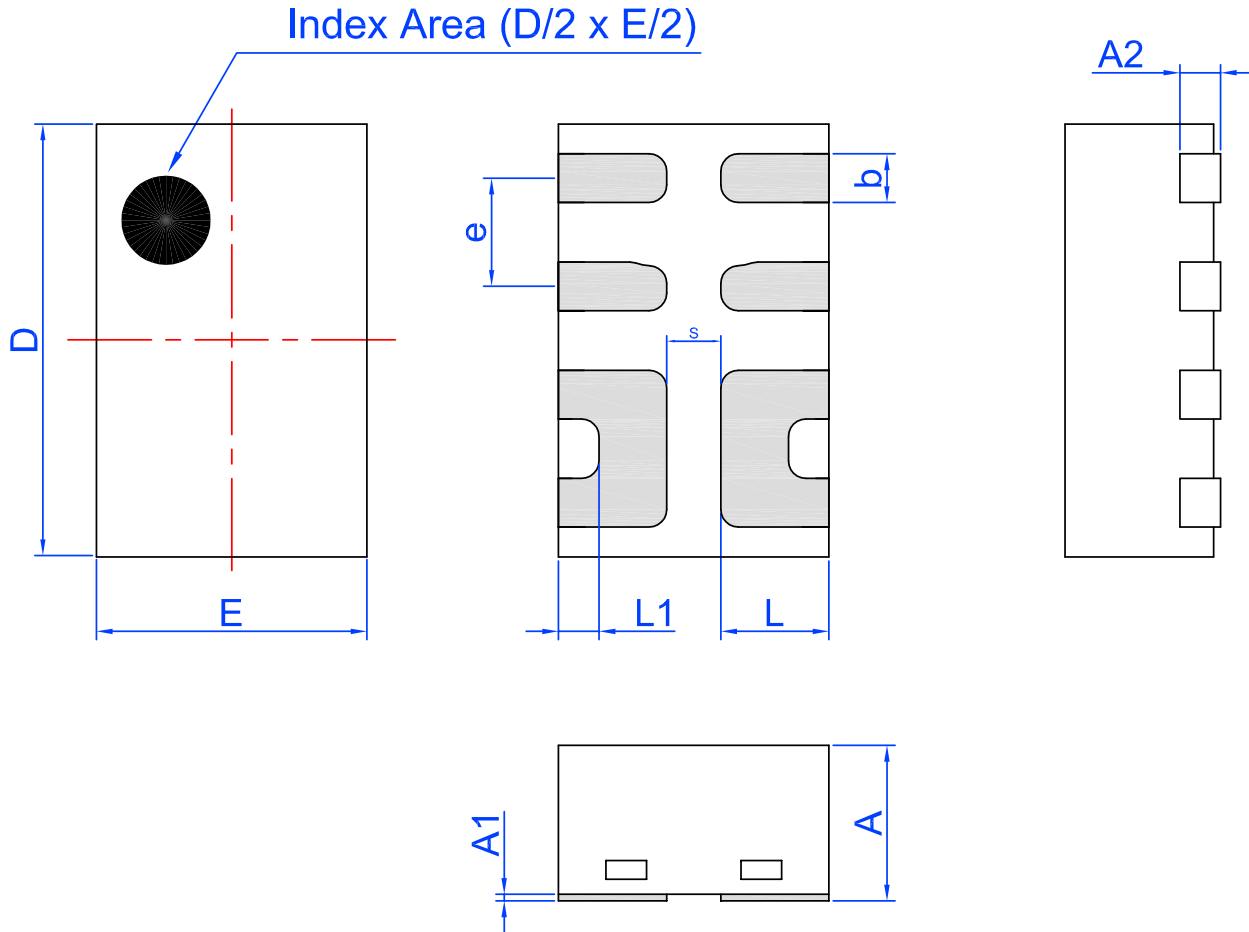
Each character in Serial Number field can be alphanumeric A-Z

SLG59M1563V

An Ultra-small, 22.5 mΩ, 2.5 A Load Switch with Reverse Blocking

Package Drawing and Dimensions

8 Lead STDFN Package 1.0 x 1.6 mm (Fused Lead)
IC Net Weight: 0.0025 g



Unit: mm

Symbol	Min	Nom.	Max	Symbol	Min	Nom.	Max
A	0.50	0.55	0.60	D	1.55	1.60	1.65
A1	0.005	-	0.060	E	0.95	1.00	1.05
A2	0.10	0.15	0.20	L	0.35	0.40	0.45
b	0.13	0.18	0.23	L1	0.10	0.15	0.20
e	0.40 BSC			S	0.2 REF		

SLG59M1563V

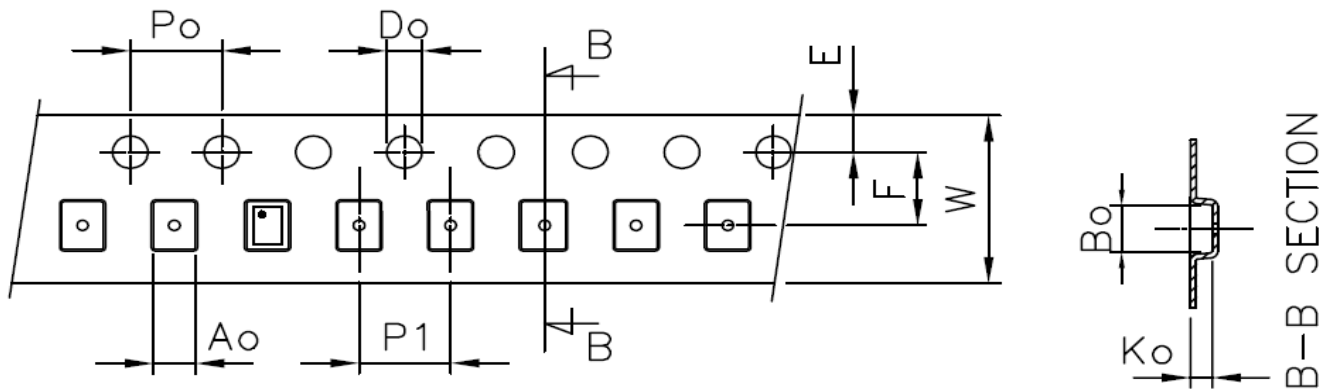
An Ultra-small, 22.5 mΩ, 2.5 A Load Switch with Reverse Blocking

Tape and Reel Specifications

Package Type	# of Pins	Nominal Package Size [mm]	Max Units		Reel & Hub Size [mm]	Leader (min)		Trailer (min)		Tape Width [mm]	Part Pitch [mm]
			per Reel	per Box		Pockets	Length [mm]	Pockets	Length [mm]		
STDFN 8L 1x1.6mm 0.4P FC Green	8	1.0 x 1.6 x 0.55	3,000	3,000	178 / 60	100	400	100	400	8	4

Carrier Tape Drawing and Dimensions

Package Type	Pocket BTM Length	Pocket BTM Width	Pocket Depth	Index Hole Pitch	Pocket Pitch	Index Hole Diameter	Index Hole to Tape Edge	Index Hole to Pocket Center	Tape Width
	A0	B0	K0	P0	P1	D0	E	F	W
STDFN 8L 1x1.6mm 0.4P FC Green	1.12	1.72	0.7	4	4	1.55	1.75	3.5	8



Recommended Reflow Soldering Profile

Please see IPC/JEDEC J-STD-020: latest revision for reflow profile based on package volume of 0.88 mm³ (nominal). More information can be found at www.jedec.org.

SLG59M1563V

An Ultra-small, 22.5 mΩ, 2.5 A Load Switch
with Reverse Blocking

Revision History

Date	Version	Change
2/2/2022	1.04	Updated Company name and logo Fixed typos
1/11/2019	1.03	Updated Style and formatting Added Chart Added Layout Guidelines Fixed typos
9/13/2016	1.02	Added Power Up/Down Sequencing Considerations Updated text and parameter names for clarity
3/9/2016	1.01	Updated IDSIkg conditions

IMPORTANT NOTICE AND DISCLAIMER

RENESAS ELECTRONICS CORPORATION AND ITS SUBSIDIARIES (“RENESAS”) PROVIDES TECHNICAL SPECIFICATIONS AND RELIABILITY DATA (INCLUDING DATASHEETS), DESIGN RESOURCES (INCLUDING REFERENCE DESIGNS), APPLICATION OR OTHER DESIGN ADVICE, WEB TOOLS, SAFETY INFORMATION, AND OTHER RESOURCES “AS IS” AND WITH ALL FAULTS, AND DISCLAIMS ALL WARRANTIES, EXPRESS OR IMPLIED, INCLUDING, WITHOUT LIMITATION, ANY IMPLIED WARRANTIES OF MERCHANTABILITY, FITNESS FOR A PARTICULAR PURPOSE, OR NON-INFRINGEMENT OF THIRD-PARTY INTELLECTUAL PROPERTY RIGHTS.

These resources are intended for developers who are designing with Renesas products. You are solely responsible for (1) selecting the appropriate products for your application, (2) designing, validating, and testing your application, and (3) ensuring your application meets applicable standards, and any other safety, security, or other requirements. These resources are subject to change without notice. Renesas grants you permission to use these resources only to develop an application that uses Renesas products. Other reproduction or use of these resources is strictly prohibited. No license is granted to any other Renesas intellectual property or to any third-party intellectual property. Renesas disclaims responsibility for, and you will fully indemnify Renesas and its representatives against, any claims, damages, costs, losses, or liabilities arising from your use of these resources. Renesas' products are provided only subject to Renesas' Terms and Conditions of Sale or other applicable terms agreed to in writing. No use of any Renesas resources expands or otherwise alters any applicable warranties or warranty disclaimers for these products.

(Disclaimer Rev.1.01 Jan 2024)

Corporate Headquarters

TOYOSU FORESIA, 3-2-24 Toyosu,
Koto-ku, Tokyo 135-0061, Japan
www.renesas.com

Trademarks

Renesas and the Renesas logo are trademarks of Renesas Electronics Corporation. All trademarks and registered trademarks are the property of their respective owners.

Contact Information

For further information on a product, technology, the most up-to-date version of a document, or your nearest sales office, please visit www.renesas.com/contact-us/.