

# INDEX

Following is the sample part number. Please click on similar one.

<a href="#">RBN100N125S1HGWS-80#FF0</a>	p2.	<a href="#">NP110N04PUK-E1-AY</a>	p16.
<a href="#">RBC40E120B1FPQ-80#FF0</a>	p3.	<a href="#">CR08AS-12A-AT14#B10</a>	p17.
<a href="#">RBN300N75A5PJWS-000#FF0</a>	p4.	<a href="#">BCR16FM-12LB-1A8#BG0</a>	p18.
<a href="#">RBC300A75F3PJWS-000#FF0</a>	p5.	<a href="#">μPD166010T1F-E1-AY</a>	p19.
<a href="#">RBA250N04AHPF-4UA01#GB0</a>	p6.	<a href="#">FA4A3Q-T1B-A</a>	p20.
<a href="#">RJK0222DNS-00-#Q5</a>	p7.	<a href="#">BB505CES-TL-E</a>	p21.
<a href="#">RQA0004PXDQS#H1</a>	p9.	<a href="#">TBB1005EMTL-E</a>	p22.
<a href="#">2SK2158A-T1B-AT</a>	p10.	<a href="#">RD6.8FM(0)-T1-AY</a>	p23.
<a href="#">2SJ182L-E</a>	p10.	<a href="#">NNCD6.2(0)LH-T1-AT</a>	p24.
<a href="#">N0400P(x)-ZK-E1-AY</a>	p11.	<a href="#">NSAD500S-T1-A</a>	p25.
<a href="#">μPA2735xGR-E1-AT</a>	p12.	<a href="#">1SS270ATD-EQ</a>	p26.
<a href="#">HAF2007-90S-TL-E</a>	p13.	<a href="#">HSM88WATR-EQ</a>	p27.
<a href="#">HAT2256R-EL-E</a>	p14.	<a href="#">RKZ6.8Z4...KL-1R1Q</a>	p28.
<a href="#">H5N5004PL-E0-E#T2</a>	p15.		

# RBN100N125S1HGWS-80#FF0

Renesas RB Series Power Device

IGBT

Product series

N	N-ch IGBT
H	N-ch IGBT w/FRD

VCES

65	650V
125	1250V
180	1800V

Product series (Identified by Tsc)

T	None
D	Tsc>3us
M	Tsc>5us
S	Tsc>10us

Ic,nom[A]

\*1

\*1

\*1 Internal code

Quality grade

Lead-free code

F0	None (Bare-die)
B0	Lead-free, Sn

Packing

F	Wafer case
C	Magazine

Specification (Bare-die Product)

H	High power
M	Middle power
L	Low power
Q	High speed

Package code

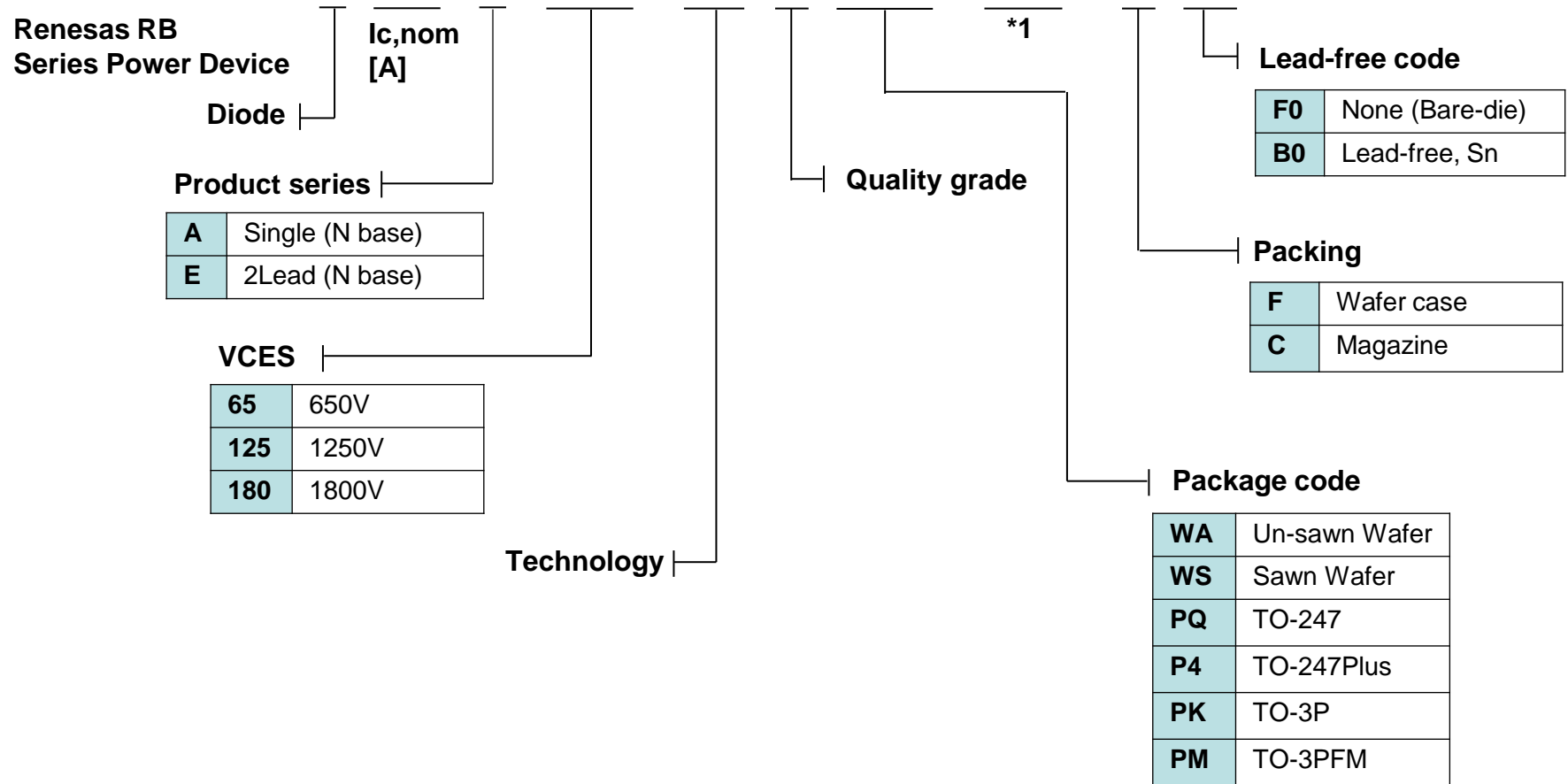
WA	Un-sawn Wafer
WS	Sawn Wafer
PQ	TO-247
P4	TO-247Plus
PK	TO-3P
PM	TO-3PFM

Internal code (Package Product)

## Renesas RBN Series IGBTs

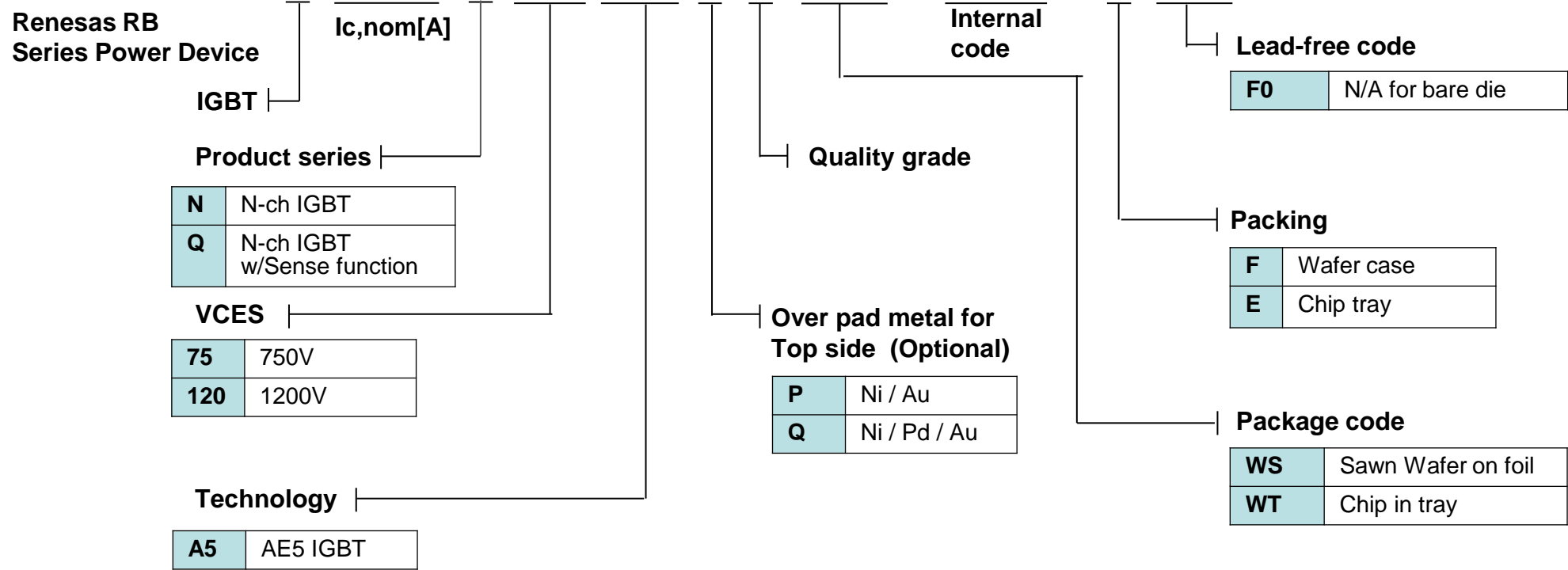
# RBC40E125B1FPQ-80#FF0

\*1 Internal code



## Renesas RBC Series FRDs

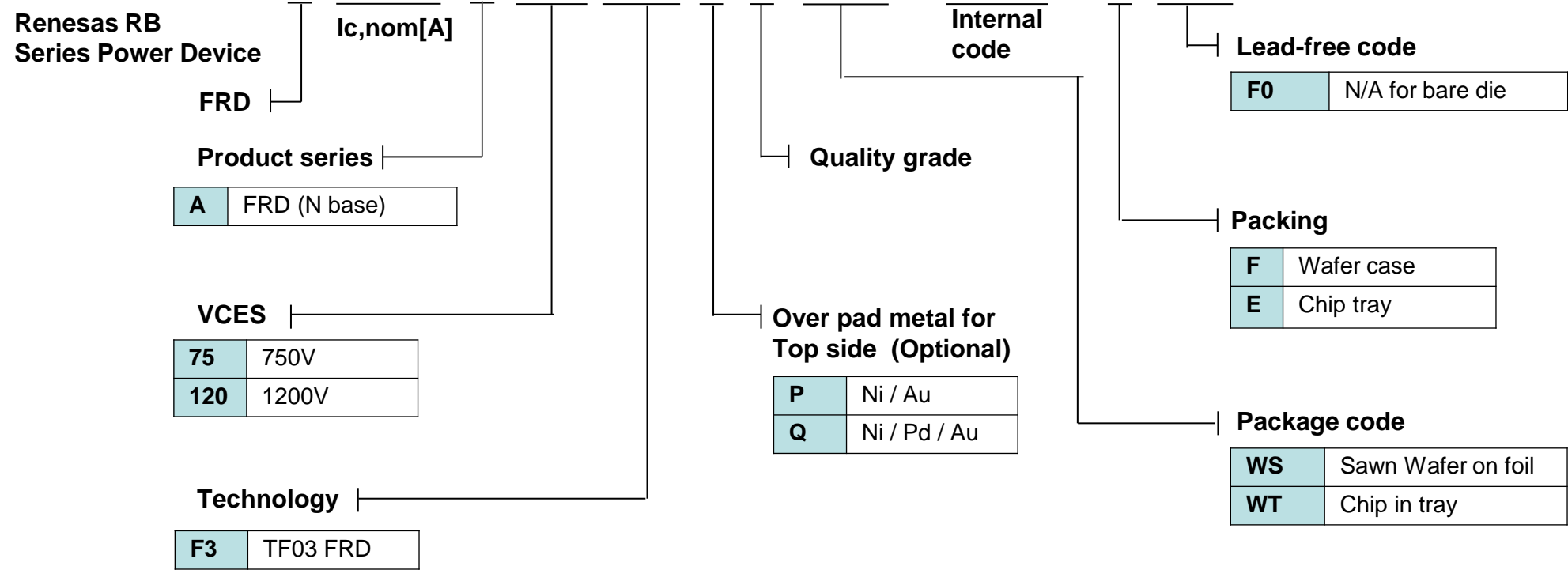
# RBN300N75A5PJWS-000#FF0



## Automotive IGBT bare die for standard product

Note:  
Codes shown in gray color are optional.

# RBC300A75F3PJWS-000#FF0



## Automotive FRD bare die for standard product

Note:  
Codes shown in gray color are optional.

# RBA 250 N 04 A H PF-4 U A 01 # G B 0

Renesas MOSFET  
for Automotive

$I_{D(DC)}$

160	160A
250	250A

**Polarity**

N	N-Channel
P	P-Channel

$V_{DSS}$

04	40V
10	100V

**Process**

A	ANL3
C	ANM2

**RDS(on) range**

01	0.5 to 1.5mohm
02	1.5 to 2.5mohm


**Option**

A	Standard
---	----------

**Gate drive type**

U	Non-Logic, No G-S Protection Diode
---	---------------------------------------

**Package code**

PF-4	
------	---

**Optional special specifications**

**Lead-free code**

B	Lead-free (Sn)
---	----------------

**Packing**

G	Emboss taping
---	---------------

Quality grade

## Automotive MOSFETs for standard product

# RJ K 02 22 D NS - 00 - #Q 5

Renesas RJ Series Power Device

Product series

E	MOS Pch w/ function
F	MOS Nch w/ function
H	IGBT + Diode
J	Power MOS Pch
K	Power MOS Nch
L	Power MOS Nch Built-in High Speed Diode
M	Power MOS Pch & Nch
P	IGBT
Q	Multi-Chip device
S	SiC-SBD*1
U	Diode(FRD, etc)

\*1 SiC: Silicon Carbide  
SBD:Schottky Barrier Diode

Serial number

Package code  
(See next page)

Quality grade

Voltage class(V)

01	10-19		
02	20-29	30	300-309
03	30-39	40	400-409
04	40-49	43	430-439
06	60-69	45	450-459
08	80-89	50	500-509
10	100-109	60	600-609
12	120-129	65	650-659
15	150-159	1B	1100-1199
20	200-209	1C	1200-1299
25	250-259	1D	1300-1399

Optional index by product series

Lead-free code

0	Lead-free	w/o Bi
1		w/ Bi
2	Lead-free*1	w/o Bi
3		w/ Bi
5	Halogen-free Lead-free	w/o Bi
6		w/ Bi

\*1: High-melting-point solder excepted in RoHS is contained internally.

Packing

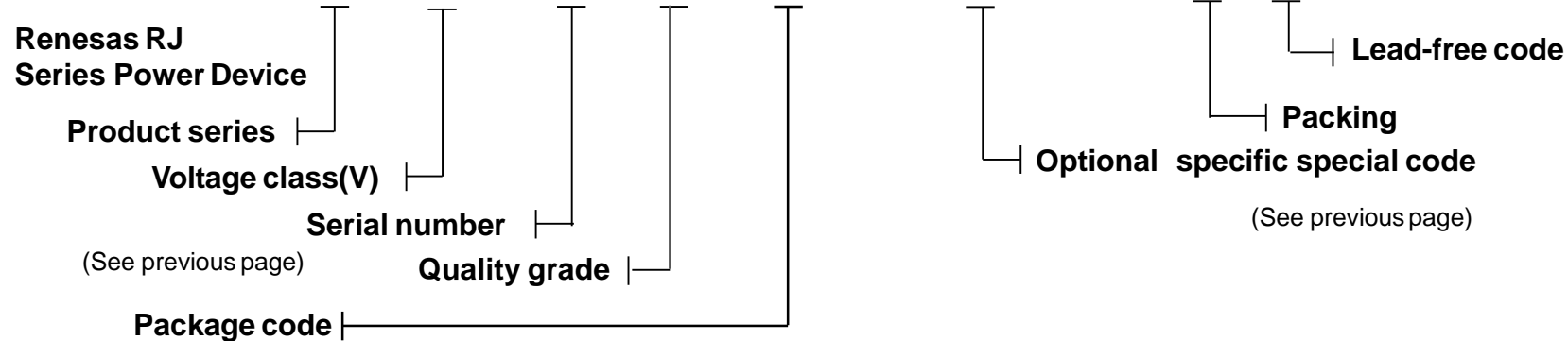
0	Bulk(Plastic bag)
1	Bulk(Tray)
H	Emboss taping (Left)
J	Emboss taping (Left) Large
Q	Emboss taping (Right) Large
T	Tube
W	Wafer
X	Chip









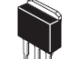














## Renesas RJ Series Power Devices

Ex: RJK0222DNS is N channel MOS FET in HWSO3046-8 package.

Note:  
Codes shown in gray color are optional.

# RJ K 02 22 D NS - 00 - #Q 5



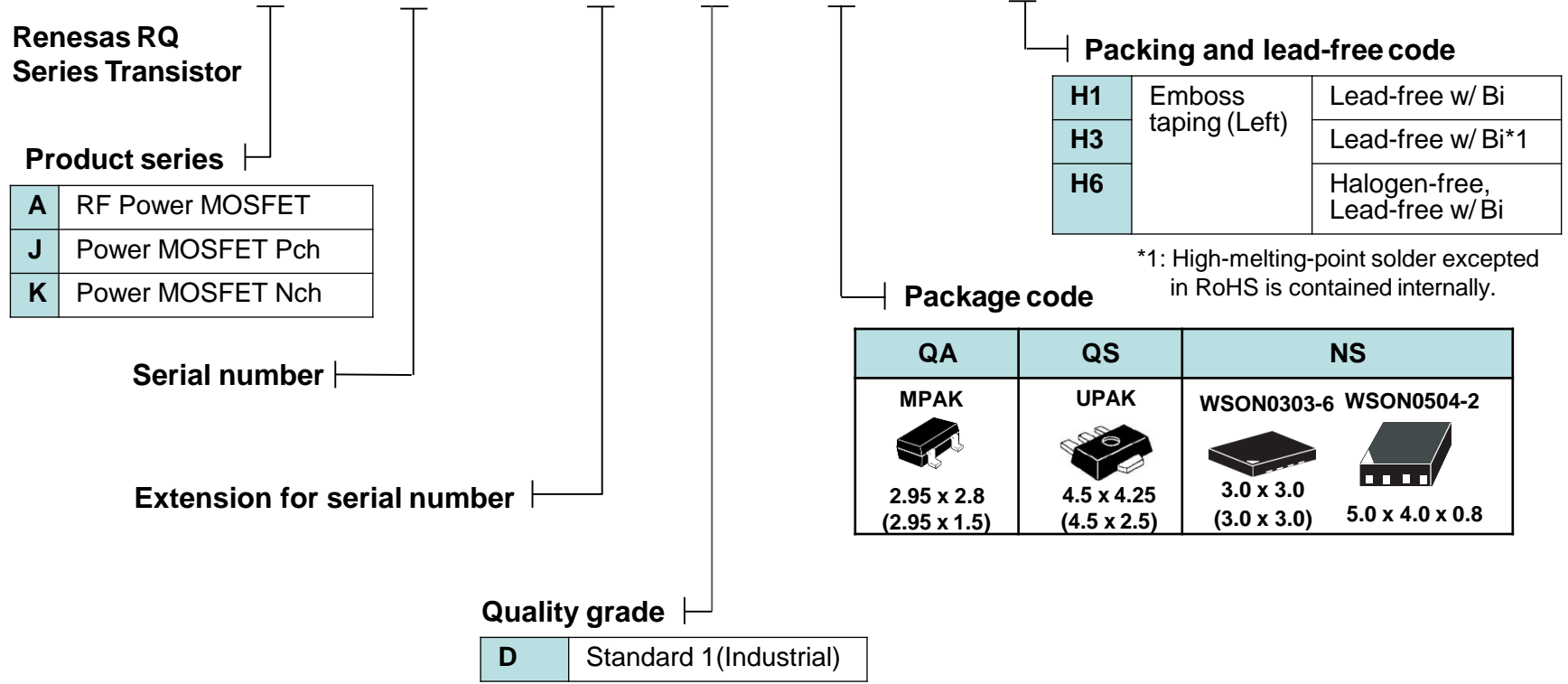
GE	JE	PA	PB	PD	PE
TSOJ-8  2.95 x 2.3 (2.95 x 2.65)	TO-92MOD  4.8 x 18.1 (4.8 x 8.0)	WPAK, WPAK(3)  5.1 x 6.1 (4.9 x 5.9)	LPAK  4.9 x 6.1 (4.9 x 3.95)	DPAK(S) MP-3A   6.5 x 9.5 6.6 x 10.4 (6.5 x 7) (6.6 x 6.1)	LDPAK(S) LDPAK(S)-(1)   6.5 x 9.5 10.2 x 13.0 (6.5 x 7) (10.2 x 10)
PJ	PK	PM	PN	PP	PQ
LDPAK(L)  10.2 x 21.0 (12.2 x 10)	TO-3P TO-3PSG   (6.5 x 9.5) (15.6 x 18.7)	TO-3PFM, TO-3PFM-5  15.9 x 40.9 (15.9 x 19.9)	TO-220AB, TO-220AB-2L  11.5 x 29 (11.5 x 15)	TO-220FP, TO-220FP-2L TO-220FL  10.16 x 28.85 (10.16 x 15.87)	TO-247, TO-247A  15.94 x 41.32 (15.94 x 21.13)
QA	QS	SC	SP	NS	
MPAK  2.95 x 2.8 (2.95 x 1.5)	UPAK  4.5 x 4.25 (4.5 x 2.5)	HSOP-20  15.9 x 14.0 (14.1 x 11.0)	FP-8DA  4.9 x 6.1 (4.9 x 3.95)	HVSON3333 WSON0303-6   3.0 x 3.0 3.3 x 3.3	WSON0504-2 HWSN3046-8   4.8 x 3.2 5.0 x 4.0

Ex: RJK0222DNS is N channel MOS FET in HWSN3046-8 package.

Note:  
Codes shown in gray color are optional.



# RQ A 0004 PX D QS #H1

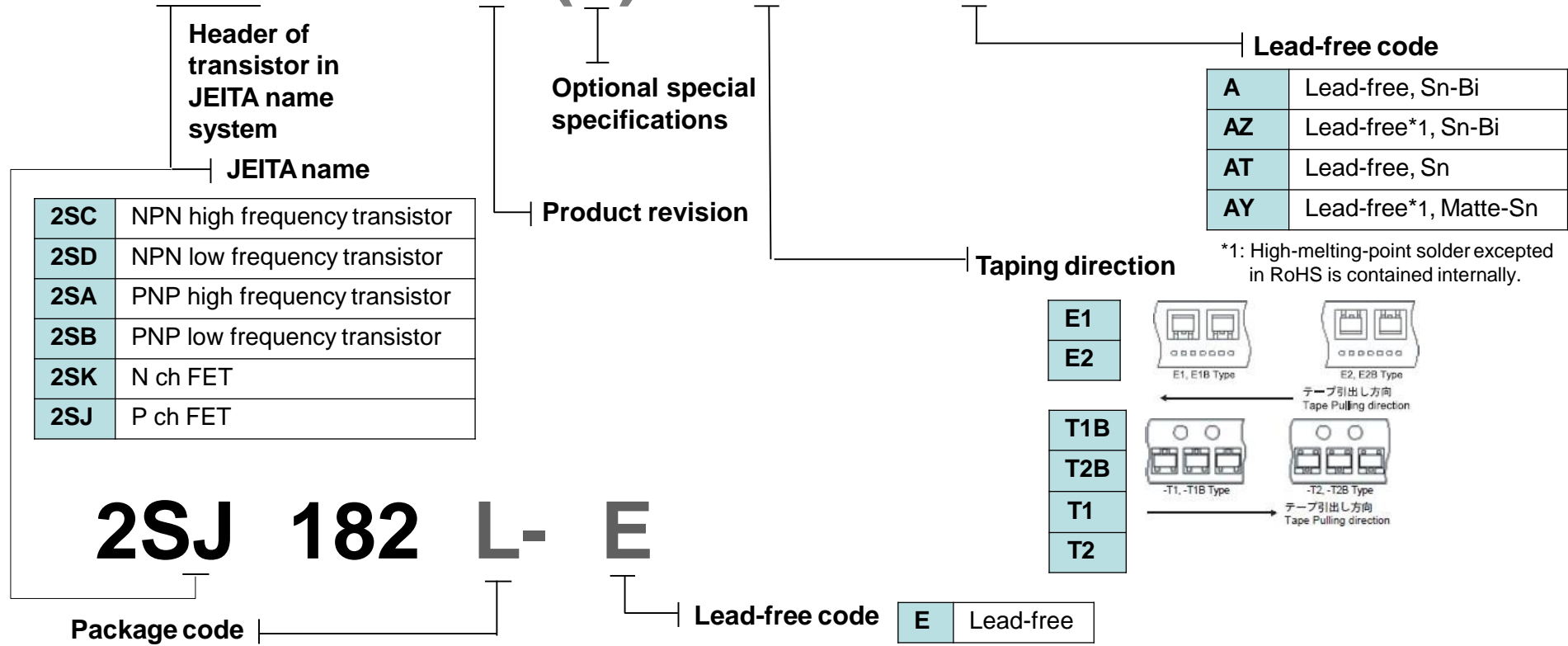


## Renesas RQ Series Transistors

Ex: RQA0004PXDQS is RF MOSFET in UPAK package.

Note:  
Codes shown in gray color are optional.

# 2SK 2158A (0) – T1B - AT Renesas Transistors in JEITA name system



## 2SJ 182 L- E

L		R	S		-
<b>2SJ 182 L- E</b> DPAK(L)    DPAK(L)-(2)  10.2 x 21.0 (12.2 x 10)    6.5 x 23.4 (6.5 x 7.2)	FP-8DA  4.9 x 6.1 (4.9 x 3.95)	DPAK(S)-1    DPAK(S)  10.2 x 13.0 (10.2 x 10)    6.5 x 9.5 (6.5 x 7)	TO-220FM  10.5 x 31 (10 x 17)		

Ex: 2SK2158 is High speed switching N channel MOSFET in SC-59 package.

Note:  
Codes shown in gray color are optional.

# N 04 00 P (x) - ZK- E1 - AY

Renesas  
N Series  
Transistor

**Voltage Code(V)**

01	10-19
02	20-29
03	30-39
04	40-49
05	50-59
06	60-69
08	80-89
25	250-259

**Serial number, Packages**

NxxxxR	SOT-23F
NxxxxS	SOT-23F
NxxxxP	SOT-23F, 3pin TMM, MP-3ZK
NxxxxN	3pin XSOF03, 3pin TMM, SOT-23F, MP-45F, MP-25K(TO-220), MP-25ZK(TO-263)

Optional special specifications

**Polarity, Device**

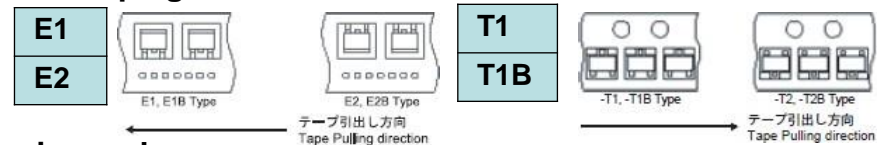
R	PNP-Tr
S	NPN-Tr
P	Pch-FET
N	Nch-FET

**Lead-free code**

A	Lead-free, Sn-Bi
AZ	Lead-free*1, Sn-Bi
AT	Lead-free, Sn
AY	Lead-free*1, Matte-Sn

\*1: High-melting-point solder excepted in RoHS is contained internally.

**Taping direction**



**Packaging code**

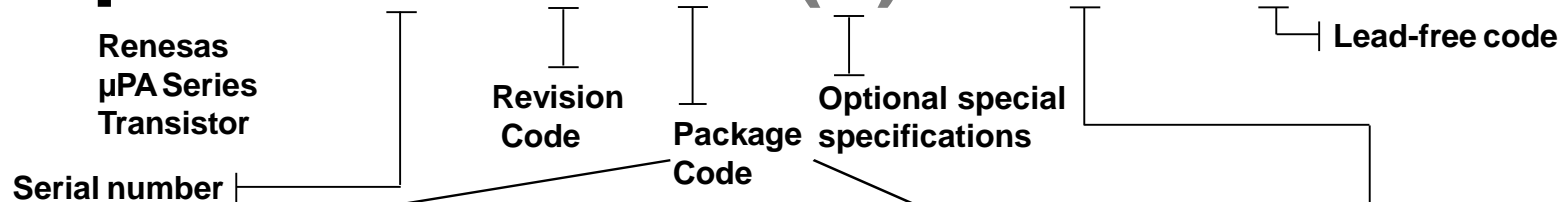
-			ZK	
3pXSOF03 (0812)  (1.2x1.2x0.3)	3pin Mini Mold Thin Type  (2.9x2.8x0.9)	SOT-23F  (2.9x2.4x0.85)	MP-25ZK  (10.0x15.25x4.45)	MP-3ZK  (6.5x10.4x2.3)
S			ZP	
MP-25K  (10.0x29.6x4.45)	MP-45F  (10.0x28.5x4.5)	MP-3  (10.0x30.6x4.45)	MP-25ZP  (10.0x15.25x4.45)	

## Renesas N Series Transistors

Ex: N0400P is P channel MOSFET in MP-3ZK package.

Note:  
Codes shown in gray color are optional.

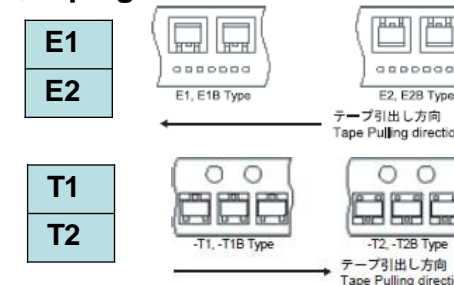
# μPA 2735 x GR (0) – E1 - AT



A	Lead-free, Sn-Bi
AZ	Lead-free*4, Sn-Bi
AT	Lead-free, Sn
AY	Lead-free*4, Matte-Sn

80,81*1	C/GR	16pin DIP/SOP	2200-11	T1M	8pin VSOF(1629)
500-05	T	5pin MM(SC-74A)	2350-72, 2380	T1G/ T1P	4pin EFLIP/ 4pin EFLIP-LGA
507, 508	TE	5pin TMM(SC-95)	2374-78	T1P	6pin EFLIP-LGA
509	TA	5pin MM(SC-74A)	2460-65	T1Q	8pin HUSON(2027)
570-04	T		2520-93	T1H	8pin VSOF(2429)
600-09	T	6pin MM(SC-74)	2650, 2680	T1E	6LD3x3MLP
610,611	TA		2670-72	T1R	8pin HUSON(2027)
620-22, 650-54	TT	6pin WSOF(1620)	2700-2721	GR	8pin TSSOP
670-75/677-79	T/TB	6pin SSP(SC-88)	2722-27, 2731-32, 2743-49, 2760, 2763	T1A	8pin HUSON(2027)
800-13*2	T	6pin 65MM	2728, 2733-42, 2750-57, 2761-62, 2770-94	GR	8pin SOP
828-895*2	TD	6pin L2MM(1208)	2800-13, 2821-22	T1L	8pin HVSON(3333)
900*3	TU		2814-20, 2825	T1S	HWSON-8
17xx	G	8pin SOP	2987	GS	16pin DIP
1803-1890	GR	8pin TSSOP			
1901-81	TE	6pin TMM(SC-95)			
2001-04	C/GR	16pin DIP/SOP			

### Taping direction



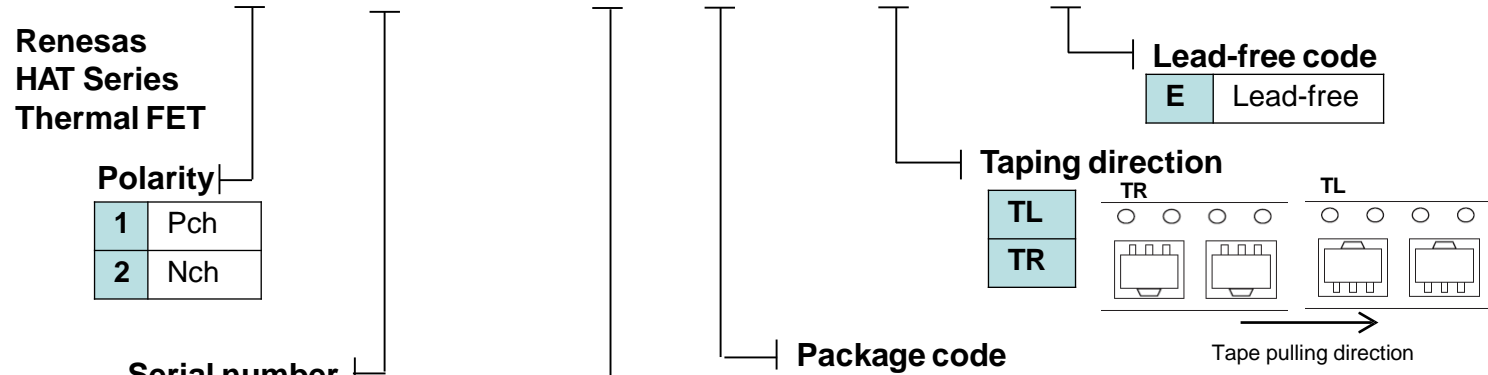
- \*1: PNP-NPN transistor array.
- \*2: NPN Bipolar transistors(with built-in 2 elements).
- \*3: NPN SiGe transistor(IC) for RF.
- \*4: High-melting-point solder excepted in RoHS is contained internally.

## Renesas μPA Series Transistors

Ex: μPA2735GR is Switching N channel MOSFET in 8pin SOP package.

Note:  
Codes shown in gray color are optional.

# HAF 2 007 - 90 S - TL - E

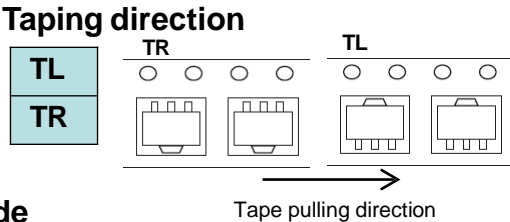


**Polarity**

1	Pch
2	Nch

**Lead-free code**

E	Lead-free
---	-----------



Serial number

Special specification number

Package code

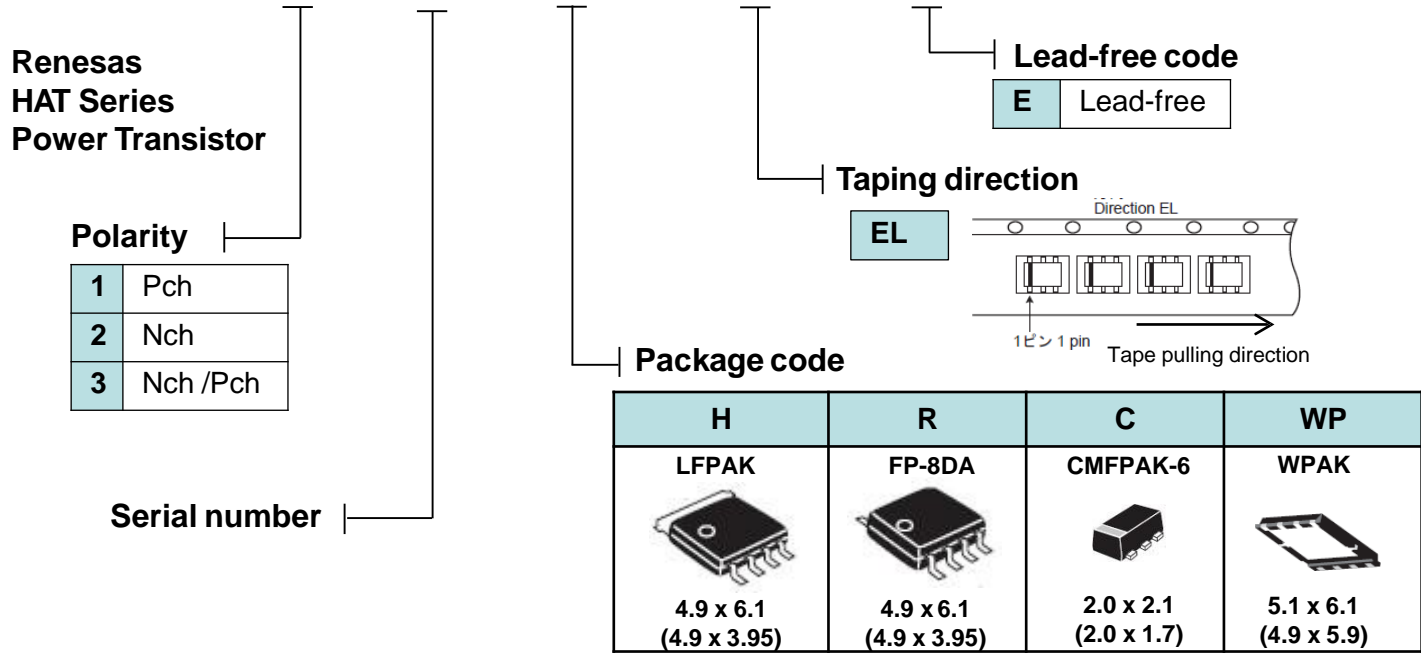
L		R
<b>DPAK(L)</b>  10.2 x 21.0 (12.2 x 10)	<b>DPAK(L)-(2)</b>  6.5 x 23.4 (6.5 x 7.2)	<b>FP-8DA</b>  4.9 x 6.1 (4.9 x 3.95)
S		-
<b>DPAK(S)-1</b>  10.2 x 13.0 (10.2 x 10)	<b>DPAK(S)</b>  6.5 x 9.5 (6.5 x 7)	<b>TO-220FM</b>  10.5 x 31 (10 x 17)

## Renesas HAF Series Thermal FET Power Transistors

Ex: HAF2007-90S is N channel MOSFET in DPAK(S) package.

Note:  
Codes shown in gray color are optional.

# HAT 2 256 R - EL - E



## Power HAT Series Power Transistors

Ex: HAT2256R is N channel MOSFET in FP-8DApackage.

Note:  
Codes shown in gray color are optional.

# H5 N 50 04 PL - E0 - E #T2

**Renesas Power Transistor**

**Series name**

H5	H5 Series
H7	H7 Series
H8	H8 Series

**Polarity**

P	Pch
N	Nch




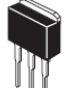


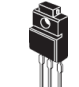


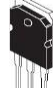
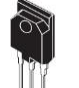
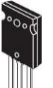
**Serial number**

**Voltage code (V)**

02	20-29
03	30-39
04	40-49
06	60-69
08	80-89
10	100-109
15	150-159
20	200-209
23	230-239
25	250-259
28	380-289
30	300-309
50	500-509
60	600-609

**Optional special specifications**

**Package code**

DS	DL	LS	LD
 DPAK(S) 6.5 x 9.5 (6.5 x 7)	 DPAK(L)-(2) 6.5 x 23.4 (6.5 x 7.2)	 LDPAK(S)-(1) 10.2 x 13.0 (10.2 x 10)	 DPAK(L) 10.2 x 21.0 (12.2 x 10)
AB	FL	FM	FP
 TO-220AB 11.5 x 29 (11.5 x 15)	 TO-220FL 10 x 27.5 (10 x 15)	 TO-220FM 10 x 31 (10 x 17)	 TO-220FP 10.16 x 28.85 (10.16 x 18.87)
MD	P	PF	PL
 TO-92MOD 4.8 x 18.1 (4.8 x 8.0)	 TO-3P 15.6 x 37.9 (15.6 x 19.9)	 TO-3PFM 15.6 x 40.9 (15.9 x 19.9)	 TO-3PL 20 x 46 (20 x 26)

**Lead-free code**

E	Lead-free
---	-----------

**Packing code**

-	Bulk
T2	Tube

## Renesas H5N, H5P, H7N, H7P, H8N Series Power Transistors

Ex: H5N5004PL is N channel MOSFET in TO-3PL package.

Note:  
Codes shown in gray color are optional.

# NP 110 N 04 P U K - E1 - AY

**Renesas NP Series Power MOSFETs**

**I<sub>D(DC)</sub> Rating(A)**

15	15	70	70
16	16	74	74
20	20	75	75
22	22	80	80
23	23	82	82
28	28	83	83
32	32	84	84
33	33	88	88
34	34	89	89
35	35	90	90
36	36	100	100
40	40	109	109
48	48	110	110
50	50	160	160
52	52	161	161
55	55	180	180
60	60		

**Polarity**

P	Pch
N	Nch

**V<sub>DSS</sub>(V)**

03	30
04	40
055	55
06	60
075	75
10	100

**Series Name (Generation)**

**Protection diode/ Source drive voltage**

B	w/ diode	2.5V
L	w/ diode	4.5V
H	w/ diode	10V
D	w/o	4.5V
U	w/o	10V

**Package Code**

K	M	N	P	T	H	S	V	Y
MP-25ZK	MP-25K (TO-220)	MP-25SK (TO-262)	MP-25ZP (TO-263)	MP-25ZT (TO-263-7p)	MP-3	MP-3ZK	MP-3ZP (TO-252)	8pin HSON
10 x 15.25 (10 x 9.15)	10 x 29.6 (10 x 15.9)	10 x 23.8 (10 x 10.1)	10 x 15.25 (10 x 9.15)	10 x 14.85 (10 x 9.15)	6.5 x 13.7 (6.5 x 5.5)	6.5 x 10.4 (6.5 x 6.1)	6.5 x 10.4 (6.5 x 6.1)	6 x 5.15 (5.4 x 5.15)

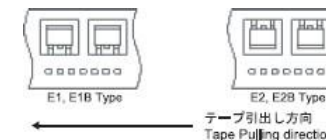
**Lead-free code**

A	Lead-free, Sn-Bi
AZ	Lead-free*1, Sn-Bi
AT	Lead-free, Sn
AY	Lead-free*1, Matte-Sn

\*1: High-melting-point solder excepted in RoHS is contained internally.

**Taping direction**

E1
E2



NP series features:

- ✓ Super low on-state resistance(R<sub>on</sub>)
- ✓ Low total gate charge(Q<sub>G</sub>)
- ✓ High current rating
- ✓ High reliability(Compliant AEC-Q101)

## Renesas NP Series Power MOSFETs

Ex: NP110N04PUK is N channel MOSFET in MP-25ZP package(40V/110A).

Note:  
Codes shown in gray color are optional.



# Thyristor

## CR 08 AS - 12 A A T14 # B 1 0

(\*1): The hyphen might be omitted because orderable part number is limited to 18 digits.

### Renesas Thyristor

#### I<sub>T</sub>(AV) (A)

02	0.3
03	0.3
04	0.4
05	0.1 (CR05BS)
	0.3 (CR05AM)
	0.5 (CR05AS)
08	0.8
2	2
3	3
5	5
6	6
8	8
12	12
25	25

#### V<sub>DRM</sub>(V)

8	400
12	600
16	800

#### IGT item (optional)

none	Standard
A	1 - 30 μA
B	20 - 50 μA
C	40 - 100 μA
D	1 - 50 μA
E	20 - 100 μA

#### Version

none	125°C
A	125°C
B	150°C
D	150°C
G	TO-220F(Ver.S), To be EOled
UE	ex-NEC alternative

#### Quality grade & Specification

B	Industry use (Standard grade)	Standard
		Custom
F	Consumer use (Standard grade)	Standard
		Custom


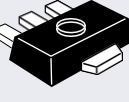
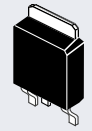

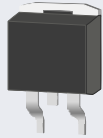
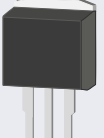
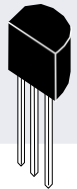
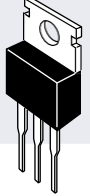
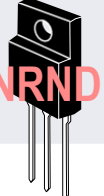
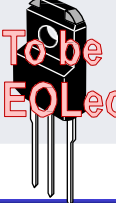
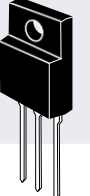

#### Internal Code

0	Terminal Pb-free (RoHS Compliant)	TO-92*, MP-3A
		MPAK(L)-(3)
		TO-220F/FL
G		TO-3PFM
		TO-220FPA(Ver.S)
H		TO-220FPA
		TO-220ABA
		TO-262/263
1	Completely Pb-free	MPAK, UPAK
		TO-92
D		

#### Lead-forming(optional), Packing

A	Lead-forming type
TB	TO-92 taping
T1/T2	Tape & Reel (800 pcs.)
T13/T23	Tape & Reel (3000 pcs.)
T14/T24	Tape & Reel (4000 pcs.)

#### Package

BS	AS	AS	AS	CS	CS	AM / BM	CM	LM	PM	FM	RM
MPAK	UPAK	MP-3A	MPAK(L)-(3)	TO-263	TO-262	TO-92	TO-220ABA	TO-220FL	TO-220F	TO-220FPA	TO-3PFM
											
NRND								NRND	To be EOled		

# Triac

## BCR 16 FM<sup>(\*1)</sup> 12 L B<sup>(\*1)</sup> 1 A8 # B G 0

(\*1): Hyphens might be omitted because orderable part number is limited to 18 digits.

Renesas Triac

I (RMS)(A)

08	0.8
1	1
2	2
3	3
4	4
5	5
6	6
8	8
10	10
12	12
16	16
20	20
25	25
30	30
40	40

V<sub>DRM</sub>(V)

8	400
12	600
14	700
16	800
20	1000
30	1500

Version

A	125°C, Standard
B	150°C, Standard
C	Application specified (Low inrush current use)
D	TO-220F(2), To be EOLed
E	TO-220F(Ver.S), To be EOLed
G	High Commutation
H	Next-Gen. Chip
J	

Lead-forming(optional), Packing

A□	Lead-forming type
TB	TO-92 taping
T1/T2	Tape & Reel (800 pcs.)
T13/T23	Tape & Reel (3000 pcs.)
T14/T24	Tape & Reel (4000 pcs.)

IGT item (optional)

none	Standard
1	High-sensitivity

Commutation Characteristics

L, none	Guaranteed (for L-load)
R	Non-guaranteed (for R-load)

Internal Code

0	Terminal Pb-free (RoHS Compliant)	TO-92*, MP-3A DPAK(L)-(3) TO-220F/FL TO-3P, TO-3PFM
G		TO-220FPA(Ver.S)
H		TO-220FPA TO-220ABA TO-262/263
1	Completely Pb-free	UPAK
D		TO-92, SOT-223

Quality grade & Specification

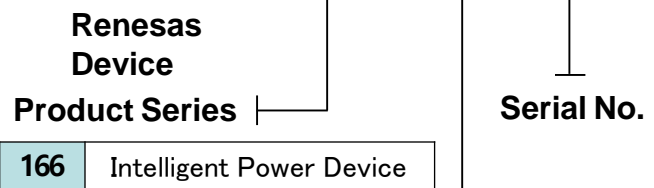
B	Industry use	Standard
C	(Standard grade)	Custom

Package

AS	AS	AS	CS	CS	DS	AM	CM	LM	PM / PR	FM / FR	AM	RM
UPAK	MP-3A	DPAK(L)-(3)	TO-263	TO-262	SOT-223	TO-92	TO-220ABA	TO-220FL	TO-220F	TO-220FPA	TO-3P	TO-3PFM

NRND To be EOLed

# μPD 166 0 10 T1F - E1 - AY

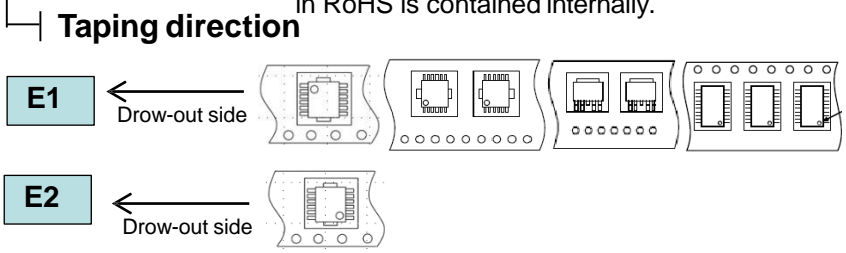


	V <sub>DSS</sub> (V)	I <sub>L</sub> (A)	R <sub>DS(on)</sub> (mΩ)	P <sub>D</sub> (W)	Ch
005GR	35	2	100	1	1
007T1F	28	30	10	59	1
009T1F	28	30	10	59	1
010T1F	28	30	10	59	1
011TIJ	28	Self limited	25	2	2
013TIJ	28	Self limited	60	2	2
015GR	35	2	100	1.5	2
017TIF	28	Self limited	6	1.2	1
019TIF	28	Self limited	13.5	59	1
020T1F	28	Self limited	10	1.2	1
021T1F	28	Self limited	10	1.2	1
100GR	40	Self limited	160	1.5	1
101GR	40	Self limited	160	2	2
104GS	100	Self limited	90	2	2

**Lead-free code**

AZ	Lead-free*1, Sn-Bi
AY	Lead-free*1, Matte-Sn

\*1: High-melting-point solder excepted in RoHS is contained internally.



**Package**

GR	GS	T1F	TiJ
8-pin SOP	20-pin SOP	5-pin TO-252 (MP-3ZK)	12-pin HSSOP
5.35 x 6.0 (5.35 x 4.4)	12.7 x 7.7 (12.7 x 5.6)	6.5 x 9.8 (6.5 x 6.1)	7.8 x 10.3 (6.4 x 7.5)

**Type**






0	High Side
1	Low Side

## Renesas Intelligent Power Device

Ex: μPD166005GR is Single N-channel High Side Intelligent Power Device in 8-pin SOP package.

# FA4A3Q (0) - T1B - A

**Package code**

C	SP-8 
F	3pin MM  (2.9 x 2.8 x 1.4)
G	3pin SSP  (2.0 x 2.1 x 0.9)
H	3pin PoMM  4.5 x 4.0 (4.5 x 2.5)
K	3pin USM  1.6 x 1.6 x 0.75 (1.6 x 0.8 x 0.75)

**10<sup>n</sup> of R<sub>1</sub> Index \*1**

2	10 <sup>2</sup>
3	10 <sup>3</sup>
4	10 <sup>4</sup>

**R<sub>1</sub> Value**

A	1
F	2.2
L	4.7
J	3.3

**R<sub>2</sub>/R<sub>1</sub> Ratio**

A	R <sub>1</sub> =0
K	10/47
L	0.47
M	1
N	10/4.7
P	10/2.2, 47/10
Q	10
R	47/2.2
Z	0

**Classification & Specification**

A*	Small signal NPN (I <sub>C</sub> =100mA) type A
B1	Semi-power NPN (I <sub>C</sub> =700mA) type A
D1	Semi-power NPN (I <sub>C</sub> =1000mA) type A
D2	Semi-power NPN w/ ZeDi (I <sub>C</sub> =1000mA) type C
E1	Semi-power NPN w/ ZeDi (I <sub>C</sub> =2000mA) type D
N*	Small signal PNP (I <sub>C</sub> =-100mA) type B
P1	Semi-power PNP (I <sub>C</sub> =-700mA) type B
Q1	Semi-power PNP (I <sub>C</sub> =-2000mA) type B
R1	Semi-power PNP (I <sub>C</sub> =-1000mA) type B

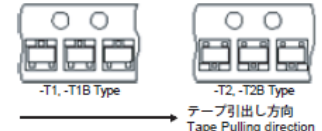
**Optional special specifications**

**Lead-free code**

A	Lead-free, Sn-Bi
AT	Lead-free, Sn

**Taping direction**

T1B	T2B
-----	-----

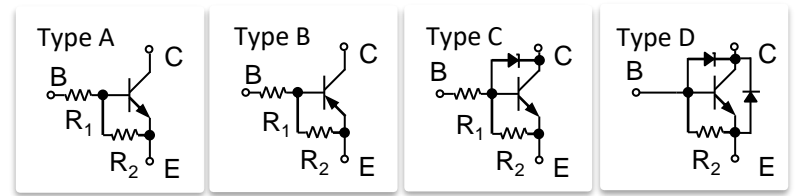


\*1: When R<sub>1</sub> = 0, it shows R<sub>2</sub> value.

Paradigm of R<sub>1</sub>,R<sub>2</sub> (KΩ)Combination Code

	R <sub>1</sub>	R <sub>2</sub>		R <sub>1</sub>	R <sub>2</sub>
A4A	-	10	F4N	22	47
A3M	1	1	F4Z	22	-
A3Q	1	10	J3P	3.3	10
A4L	10	4.7	L2N	0.47	1
A4M	10	10	L2Q	0.47	4.7
A4P	10	47	L3M	4.7	4.7
A4Z	10	-	L3N	4.7	10
F2Q	0.22	2.2	L3Z	4.7	-
F3M	2.2	2.2	L4K	47	10
F3P	2.2	10	L4L	47	22
F3R	2.2	47	L4M	47	47
F4M	22	22	L4Z	47	-

**Equivalent Circuit (type)**



## Renesas transistors with built-in resistor

Ex: FA4A3Q is NPN transistor with built-in resistor in 3pin MM package (I<sub>C</sub>=100mA , R<sub>1</sub>=1KΩ, R<sub>2</sub>=10KΩ)

# BB 5 05 C ES - TL - E

BB Series  
Build in Biasing  
Circuit Transistor

Use/Process

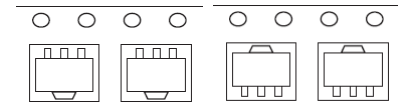
5	UHF/VHF Amplifier
---	-------------------

Lead-free code

E	Lead-free
---	-----------

Taping direction

TL
TR



Tape pulling direction

Extension for serial number

Package code

M	C
CMPAK-4  2.0 x 2.1 (2.0 x 1.25)	MPAK-4  2.95 x 2.8 (2.95 x 1.5)

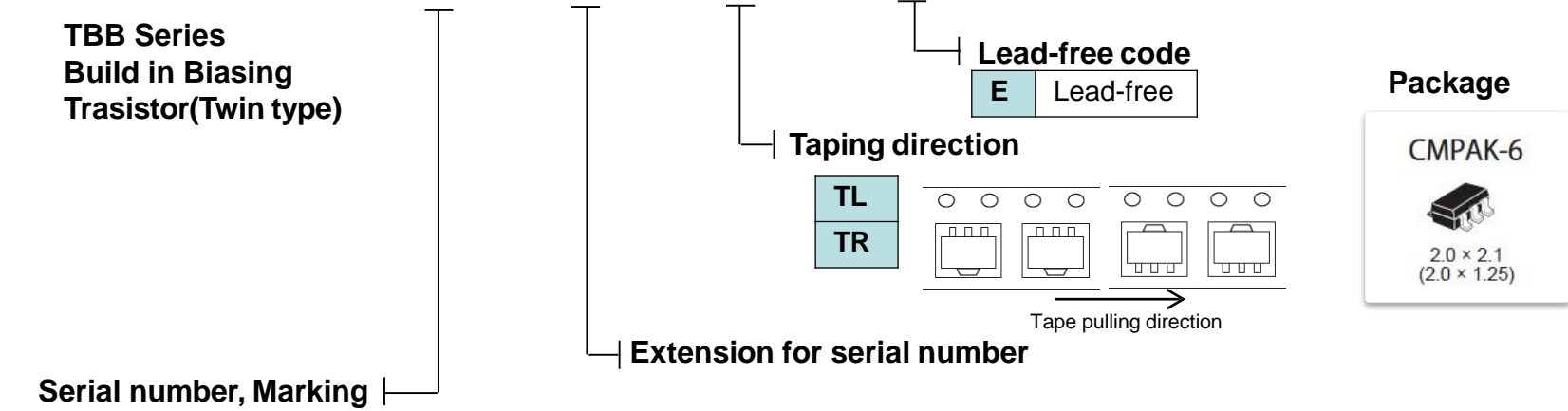
Serial number, Marking

		V <sub>DS</sub> (V)	I <sub>D</sub> (mA)	Ciss(pF) typ	NF(dB) typ
502	BS	6	20	1.7	1.6@0.9GHz
505	ES	6	20	1.75	1.5@0.9GHz
506	FS	6	30	1.6	1.4@0.9GHz

## Renesas BB Series Build-in Biasing Circuit Transistors

Ex: BB505C is Build-in Biasing Circuit MOSFET in CMPAK-4 package.

# TBB 1005 EM TL - E



		Ratings		FET1 Characteristics			FET2 Characteristics		
		V <sub>DS</sub> (V)	I <sub>D</sub> (mA)	Ciss(pF) typ	lyfsl(mS) typ	NF(dB) typ	Ciss(pF) typ	lyfsl(mS) typ	NF(dB) typ
<b>04</b>	<b>DM</b>	6	30	1.8	26	1.7@0.9GHz	2.7	32	1.2@0.2GHz
<b>05</b>	<b>EM</b>	6	30	1.8	26	1.7@0.9GHz	2.6	25	1.2@0.2GHz
<b>10</b>	<b>KM</b>	6	30	2.1	29	1.1@0.2GHz	2.1	29	1.1@0.2GHz
<b>12</b>	<b>MM</b>	6	30	1.6	32	1.95@0.9GHz	2.7	30	1.95@0.2GHz
<b>16</b>	<b>RM</b>	6	30	2.2	35	1@0.2GHz	2.2	35	1@0.2GHz

## Renesas TBB Series (Twin type) Build in Biasing Circuit Transistors

Ex: TBB1005EM is Twin Build-in Biasing Circuit MOSFET in CMPAK-6 package.

# RD 6.8 FM (0) - T1 - AY






Renesas RD  
Serise Zener Diode

Optional special  
specifications

Lead-free code

Standard  $V_Z(V)^*$

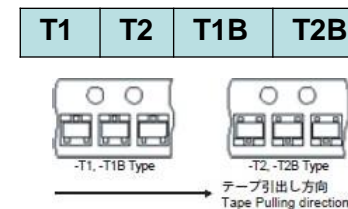
2.0	1.9 - 2.2	8.2	7.7 - 8.7	36	34.0 - 38.0
2.2	2.1 - 2.4	9.1	8.5 - 9.6	39	37.0 - 41.0
2.4	2.3 - 2.6	10	9.4 - 10.6	43	40.0 - 45.0
2.7	2.5 - 2.9	11	10.4 - 11.6	47	44.0 - 49.0
3.0	2.8 - 3.2	12	11.4 - 12.6	51	48.0 - 54.0
3.3	3.1 - 3.5	13	12.4 - 14.1	56	53.0 - 60.0
3.6	3.4 - 3.8	15	13.8 - 15.6	62	58.0 - 66.0
3.9	3.7 - 4.1	16	15.3 - 17.1	68	64.0 - 72.0
4.3	4.0 - 4.5	18	16.8 - 19.1	75	70.0 - 79.0
4.7	4.4 - 4.9	20	18.8 - 21.2	82	77.0 - 87.0
5.1	4.8 - 5.4	22	20.8 - 23.3	91	85.0 - 96.0
5.6	5.3 - 6.0	24	22.8 - 25.6	100	94.0 - 106.0
6.2	5.8 - 6.6	27	25.1 - 28.9	110	104.0 - 116.0
6.8	6.4 - 7.2	30	28.0 - 32.0	120	114.0 - 126.0
7.5	7.0 - 7.9	33	31.0 - 35.0		

<b>FM</b>	2pin PoMM  (4.7×1.5×2.05)	1000mW
<b>FS</b>	2pin SPM  (3.5×1.6×0.98)	
<b>S</b>	2pin SSP  (2.5×1.25×0.9)	200mW
<b>SL</b>		200mW low noise
<b>UJ</b>	2pin USM  (2.1×0.8×0.7)	150mW low noise
<b>UM</b>		150mW
<b>MW</b>	3pin MM  (2.9×2.8×1.4)	200mW Dual type

<b>A</b>	Lead-free, Sn-Bi
<b>AZ</b>	Lead-free*1, Sn-Bi
<b>AT</b>	Lead-free, Sn
<b>AY</b>	Lead-free*1, Matte-Sn

\*1: High-melting-point solder excepted in RoHS is contained internally.

Taping direction



T1	T2	T4
Ammo pack Box (2000 pcs/box)	Ammo pack Real (5000pcs/box)	Ammo pack Box (5000 pcs/box)

Note:  
Codes shown in gray color are optional.

## Renesas RD Series Zener Diodes

Ex: RD6.8FM is Zenner diode( $V_Z=6.8V$ ) in 2pin PoMM package.

# NNCD 6.2 (0) LH - T1 - AT

Renesas NNCD Series  
ESD Noise-Clipping Diode






Breakdown voltage(V)\*

2.0	1.90 - 2.20	10	9.45 - 10.58
2.2	2.10 - 2.40	11	10.40 - 11.60
2.4	2.30 - 2.60	12	11.38 - 12.64
2.7	2.50 - 2.90	13	12.43 - 14.00
3.3	3.10 - 3.50	15	13.80 - 15.56
3.6	3.40 - 3.80	16	15.31 - 17.14
3.9	3.70 - 4.10	18	16.89 - 19.06
4.3	4.00 - 4.49	20	18.80 - 21.14
4.7	4.40 - 4.92	22	20.81 - 23.25
5.1	4.82 - 5.39	24	22.86 - 25.66
5.6	5.29 - 5.94	27	25.10 - 28.90
6.2	5.84 - 6.55	30	28.00 - 32.00
6.8	6.44 - 7.17	33	31.00 - 35.00
7.5	7.03 - 7.87	36	34.00 - 38.00
8.2	7.73 - 8.67	39	37.00 - 41.00
9.1	8.53 - 9.58		

\*The Breakdown voltage range are DA package products, Others package are little different range.

Optional special specifications

Package & products feature

DA	 2pin SSP (2.5×1.25×0.9)	200mW	High ESD
DT			High ESD, 2-way connection
MDT			Low capacitance, High ESD, 2-way connection
C	 2pin USM (2.1×0.8×0.7)	150mW	High ESD
F			High ESD
MF	 3pin MM (2.9×2.8×1.4)	200mW Dual type	Low capacitance, High ESD
ST			High ESD, 2-way connection
G			High ESD
LG, RG	 5pin MM (2.9×2.8×1.4)	200mW Quad type	Low capacitance
MG			Low capacitance, High ESD
H, PH			High ESD
LH, RH	 5pin SSP (2.0×2.1×0.9)		Low capacitance

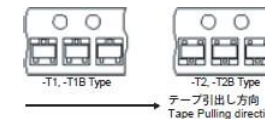
Lead-free code

A	Lead-free, Sn-Bi
AZ	Lead-free*1, Sn-Bi
AT	Lead-free, Sn
AY	Lead-free*1, Matte-Sn

\*1: High-melting-point solder excepted in RoHS is contained internally.

Tapping direction

T1	T2	T1B
----	----	-----



Note:  
Codes shown in gray color are optional.

## Renesas NNCD Series ESD Noise-Clipping Diodes

Ex: NNCD6.2LH is Quad type ESD Noise-Clipping Diode in 5pin SSP package.



# NSAD 500 S - T1 - A

Renesas NSAD Series  
Surge Absorber Diode

Lead-free code




A	Lead-free, Sn-Bi
AT	Lead-free, Sn

NSAD Series

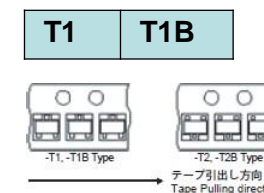
	VBO(V) typ.	C(pF) typ.	ESD(kV) min
500	8	3.5	8

Low capacity ESD surge absorber for 100 to 500 Mbps-class data line ESD noise protection.

Package

<b>F</b>	3pin MM  (2.9×2.8×1.4)	200mW Dual type
<b>S</b>	3pin SSP  (2.0×2.1×0.9)	150mW Dual type
<b>H</b>	5pin SSP  (2.0×2.1×0.9)	200mW Quad type

Tapping direction

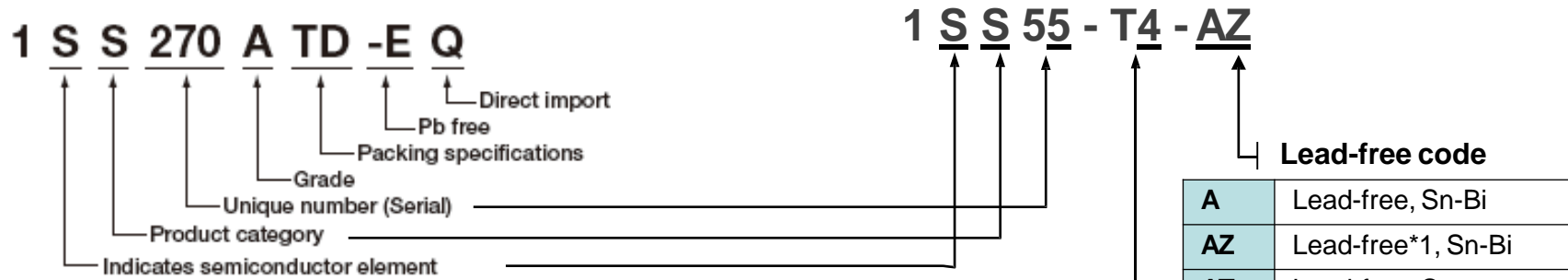


## Renesas NSAD Series Surge Absorber Diodes

Ex: NSAD 500S is Dual type Surge Absorber Diode in 3pin SSP package.

# 1SS270ATD-EQ / 1SS55-T4-AZ

● Glass (Inserting ) Type [JEITA]



Product category

R	Rectification diode
S	Signal diode
V	Varicap/PIN diode
Z	Zener diode

Abbreviation indicating application

S	For signal
V	Varicap/PIN
R	For rectifier
Z	Zener
C	Chip, Wafer

Package abbreviation

B	CMPAK, MOP	N	VSON-5
C	UFP	P	Do-41*
D	SFP	R	SRP
G	Do-35*	S	MHD*
K	LLD	T	(Temp. compensation zener) use UFP
L	EFP	U	UFP
M	MPAK, MPAK5	W	MPAK for rectifier

\*: Glass (inserting) type.

A	Lead-free, Sn-Bi
AZ	Lead-free*1, Sn-Bi
AT	Lead-free, Sn
AY	Lead-free*1, Matte-Sn

\*1: High-melting-point solder excepted in RoHS is contained internally.

Packing Specification

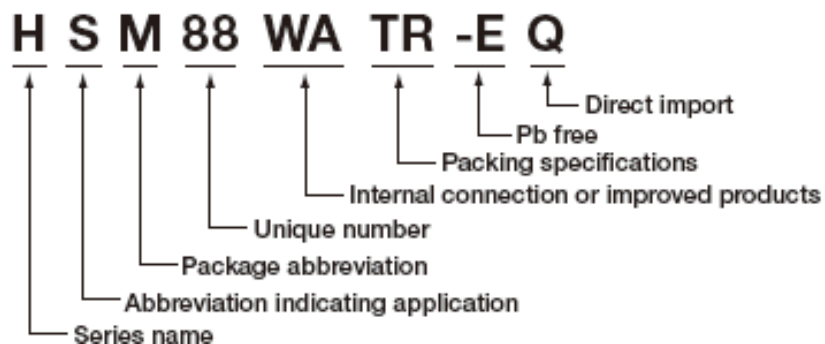
T1	T2	T4
Ammo pack Box (2000 pcs/box)	Ammo pack Reel (5000pcs/box)	Ammo pack Box (5000 pcs/box)

Other:  
T6 Reel 2500/reel  
T7 Box 2500/box T8  
Box 5000/box

# HSM88WATR-EQ

● Surface-mount Type

With Some Exceptions



Abbreviation indicating application

S	For signal
V	Varicap/PIN
R	For rectifier
Z	Zener
C	Chip, Wafer

Package abbreviation

B	CMPAK, MOP	N	VSON-5
C	UFP	P	Do-41*
D	SFP	R	SRP
G	Do-35*	S	MHD*
K	LLD	T	(Temp. compensation zener) use LFP
L	EFP	U	LFP
M	MPAK, MPAK5	W	MPAK for rectifier

\*: Glass (inserting) type.

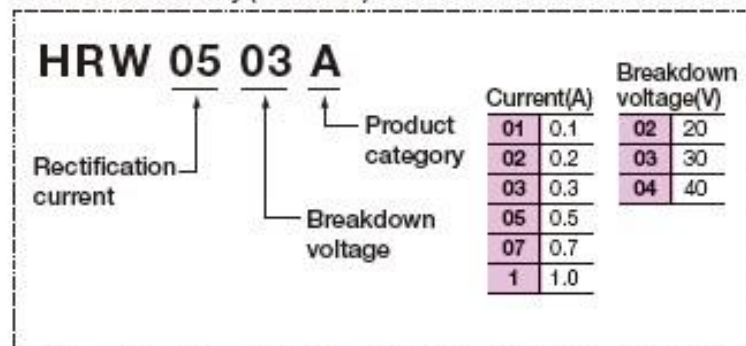
Unique number

300 to 499	Varicap
10 to 229	Varicap/PIN
Vz center value integer	Zener
0103 to 0703	Rectification schottky (*See table)

Packing specifications

Please refer to Web-site concern to Diode

Rectification schottky (\*See table)

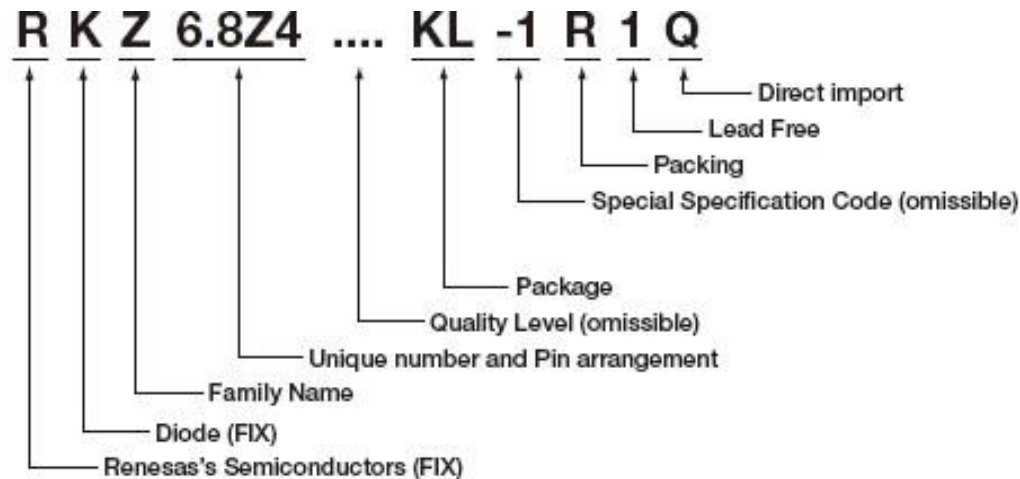


Internal connection

S	Series
SR	Reverse series
WK	Cathode common
WA	Anode common
WS	2 series connections
FA	4 elements anode common
YP	2 elements parallel

Packing information: go to p24

# RKZ6.8Z4.....KL-1R1Q



With Some Exceptions

Packing Resin Mold

4mm	TR	P
	TL	H
	UR	Q
2mm	UL	J
	KR	R
	KL	K
	PR	S
	PL	L

Glass

52mm	Bulk	0
	TG	A
	TA	7
26mm	TK	7
	TE	8
	TJ	8
	TD	9
	TN	9
Radial	TDX	B
	RE/RX	6
	RF/RV	5

Family Name and Unique number

V	Vari-Cap	Tuner	500 to 599
		VOO	600 to 699
P	PIN Diodes	Anit.Sw	200 to 299
		Attenuator	300 to 399
S	Switching	Switching	100 to 149
		RF Switch	150 to 199
D	Schottky		700 to 799
R	Rect.Schottky	Depend on Io,VR(*1)	
Z	Zener	Depend on Vz,Cd(*) (*1) 4pF : Z4 Low Cd(8 to 25pF): Z others: none	
Q(*2)	Compound Chips	more than 6pin	400 to 499

(\*1)Refer to the another Table (Rectification schottky) (\*2)Depend on Family

Pin Arrangement

S	Series Connect
SR	Rev.Series.Connect
WK	Cathode Common
WA	Anode Common
WS	Series Connect (x2)
FA	Anode Common (x4)
FK	Cathode Common (x4)
YP	Parallel (x2)

Quality Level

J	Q1A/B
(omissible;D)	Q2
A	Q3

Package

KA	DO-35	KP	MP8
KB	DO-41	KQ	(0402)
KC	MHD	KR	MOP
KD	LLD	KS	MFP12
KE	MAP	KT	VSON-5
KF	SRP	QA	MPAK
KG	URP	QC	MPAK5
KH	TURP	QE	CMPAK
KJ	UFP	QF	CMPAK4
KK	SFP	QK	MMPAK
KL	EFP	WA	Wafer-1
KM	TEFP	WB	Wafer-2
KN	MP8	WC	Wafer-3

Lead Free

Full Pb Free	0	without Bi
Full Pb Free	1	with Bi
Terminal Pb Free	2	without Bi
Terminal Pb Free	3	with Bi
Pb	4	-

WD	Wafer-4
WE	Wafer-5
WF	Wafer-6
WT	Chip-1
WS	Chip-2
WR	Chip-3

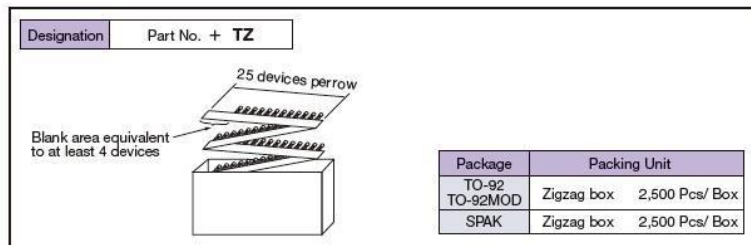
Packing information: go to p24

# HZ/RKZ/1S Packing abbreviation

## ■ Emboss Taping Reel Pack

Package	Packing Unit	Name	Packing Configurations
URP	3,000	Part No.+TL[H]/TR[P]	Emboss TAPING REEL PACK (Conforming to JEITA standard RC-1009B) 8mm emboss tape (Tape equivalent to JEITA type TE84F)
MPAK VSON-3 VSON-4 CMPAK CMPAK-4	3,000	Part No.+TL[H]/TR[P]	
MPAK-5 VSON-5	3,000	Part No.+TL[H]/TR[P]	
UFP (TURP) TURP-FM	4mm pitch 4,000	Part No.+TR(TRF)[P]	
	2mm pitch 8,000	Part No.+KR(KRF)[R]	
SFP	2mm pitch 8,000	Part No.+KR[R]	
EFP MP6	2mm pitch 10,000	Part No.+KR[R]	
SRP-F	3,000	Part No.+[P]	

Note) TR is recommended for emboss taping and reel specification.  
Characters in [ ] in Name column are new codes.



## ■ Taping Pulling Direction

Package	Taping Code	Appearance
URP SRP-F	TR[P] (Taping to Right)	TR Pulling direction → 
UFP (TURP) TURP-FM URP-F	TR[P] (Taping to Right) (TRF)	TR Pulling direction → 
	KR[R] (KRF)	KR Pulling direction → 
SFP EFP MP6	KR[R]	KR Pulling direction → 
MPAK CMPAK CMPAK-4 VSON-3 VSON-4 VSON-5	TR[P] (Taping to Right)	TR Pulling direction → 

Characters in [ ] in Taping Code column are new codes.