

REV	REF	DATE	DRAWN BY
1.00	Release	04.03.2010	YOI

Renesas Starter Kit for R8C/38C CPU Board Schematics

PAGE	DESCRIPTION
1	INDEX
2	R8C/38C Microcontroller
3	Switches, LEDs, RESET, PSU
4	E8a, Serial Port
5	Application Headers, Pin Function Select, Debug LCD
6	Microcontroller Pin Headers
7	LIN

Note:

R : Fixed Resistor
RV : Potentiometer
U : Integrated Circuit
X : Crystal
RES : Reset Switch
SW : Switch
LED : Light Emitting Diode
PWR : Power Jack
J : Connector, Jumper

Board Code:

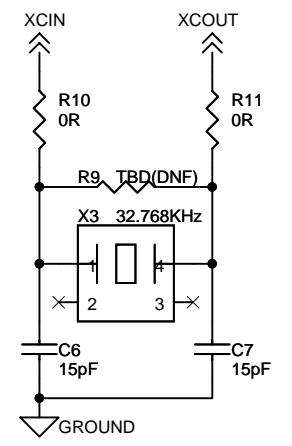
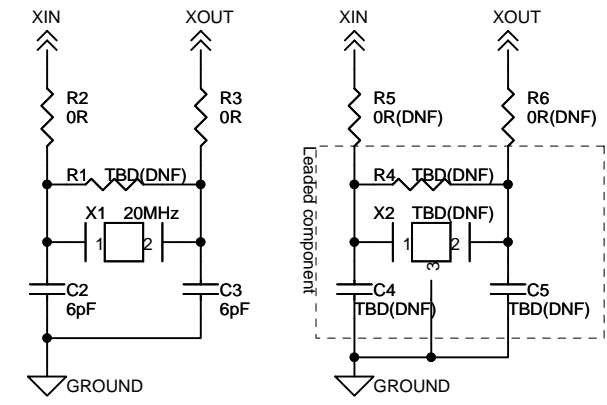
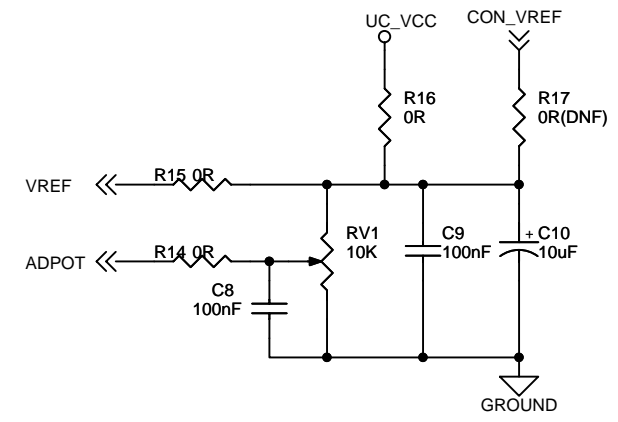
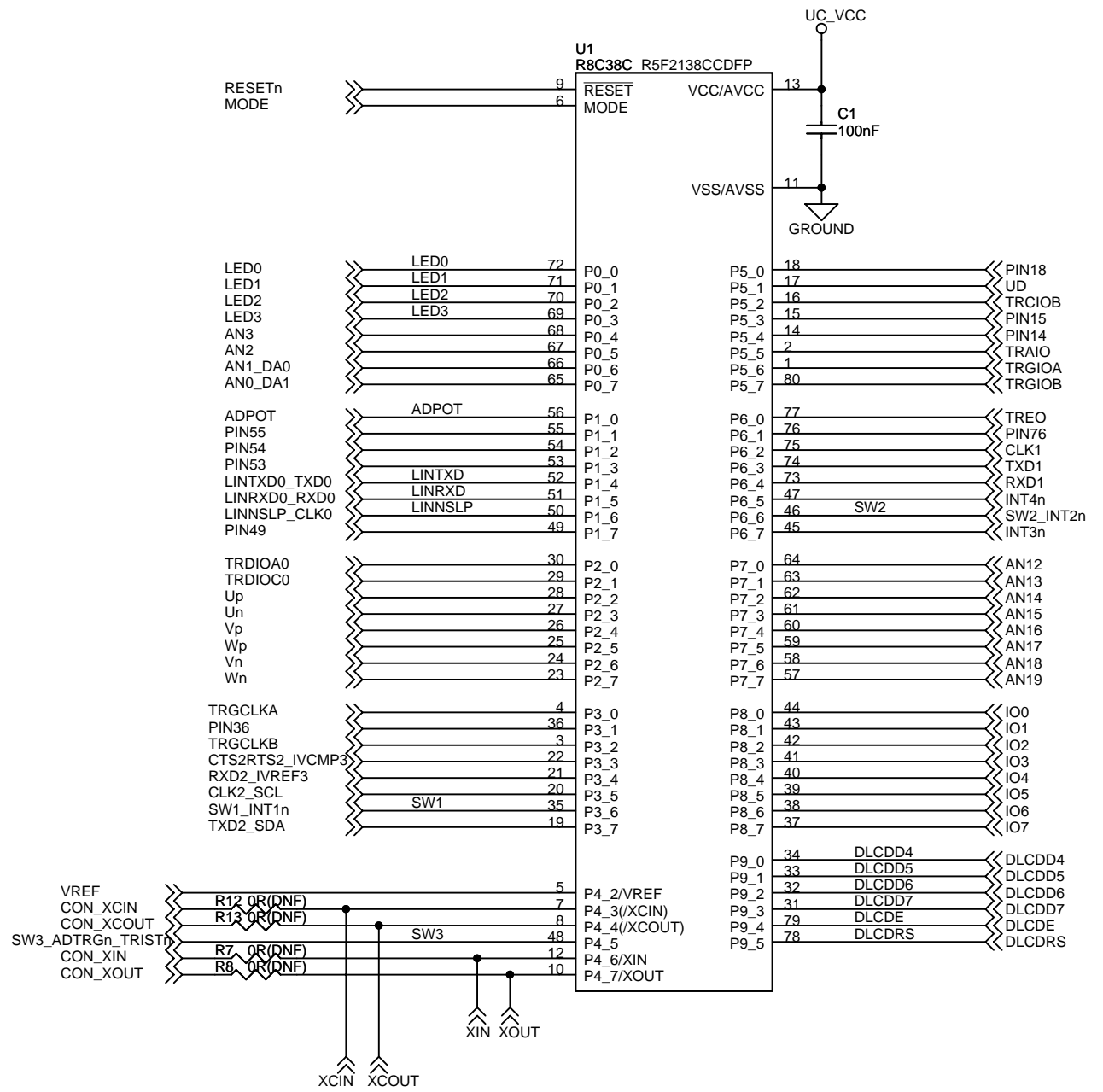
R0K521380C000BE

* "DNF" marking means that component does not fit by default.

RTE Drawing No. D008992
RSO Drawing No. DK30806

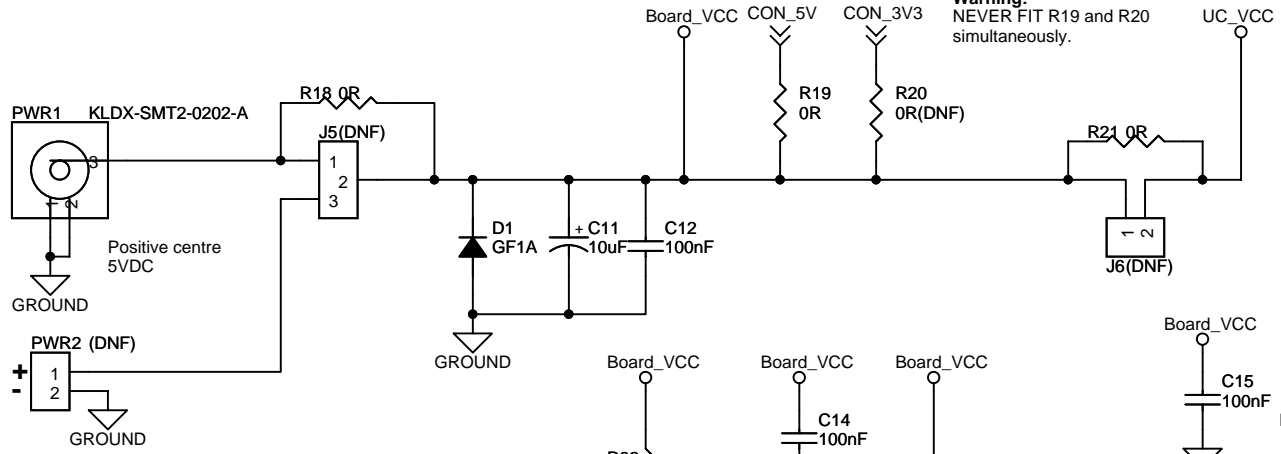
Renesas Solutions Corp.		
Title RSKR8C38C [INDEX]		
Size A4	Document Number RJJ99J0068-0100	Rev 1.00
Date: Thursday, March 04, 2010	Sheet 1	of 7

Microcontroller



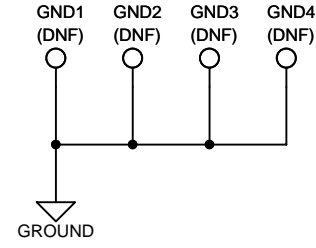
Renesas Solutions Corp.			
Title RSKR8C38C [R8C/38C Micon]			
Size A4	Document Number RJJ99J0068-0100		Rev 1.00
Date: 2	Thursday, March 04, 2010		Sheet 1 of 7

PSU

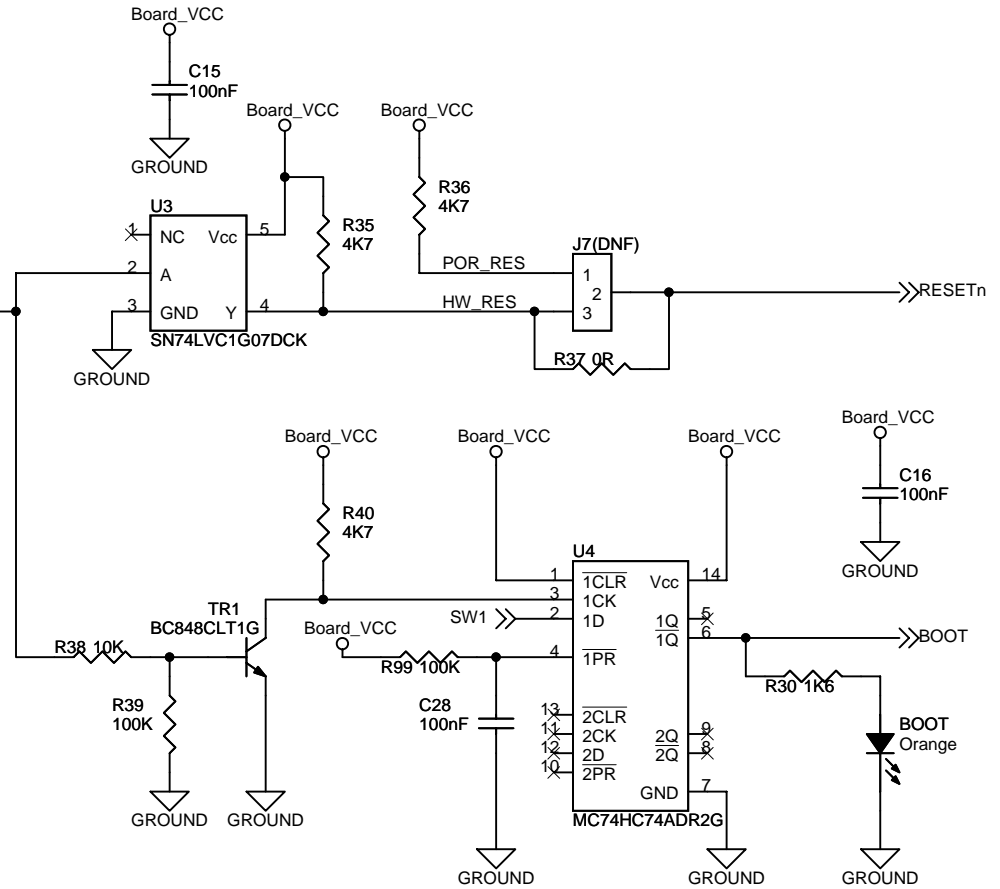
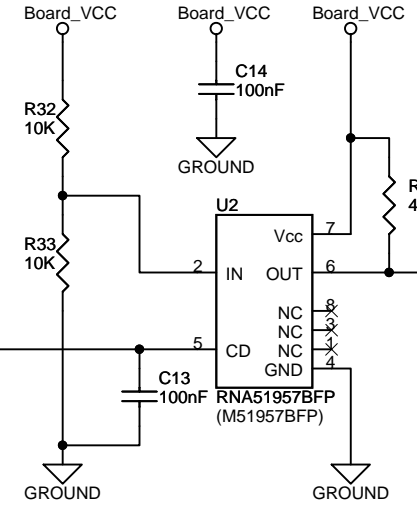
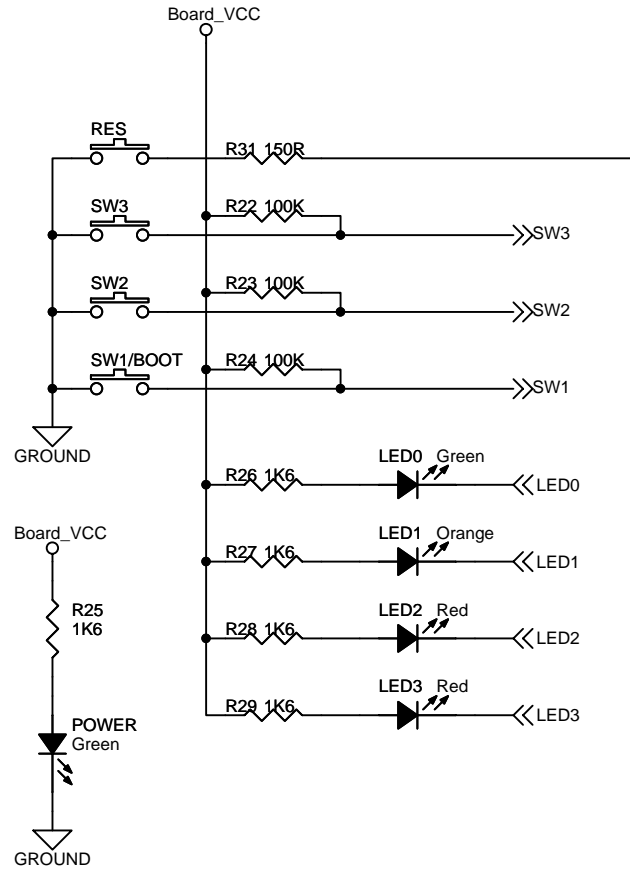


Warning:
NEVER FIT R19 and R20 simultaneously.

Ground Test Points



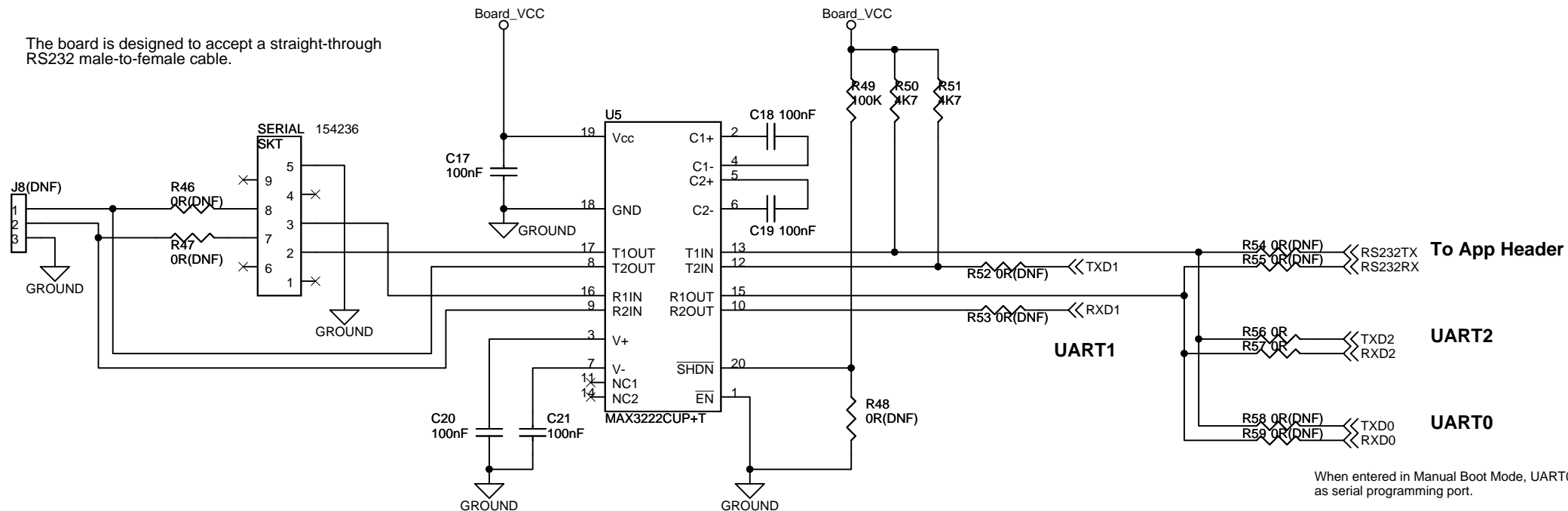
Switches, LEDs, RESET



Renesas Solutions Corp.		
Title RSKR8C38C [Switches, LEDs, RESET, PSU]		
Size A4	Document Number RJJ99J0068-0100	Rev 1.00
Date: Thursday, March 04, 2010	Sheet 3	of 7

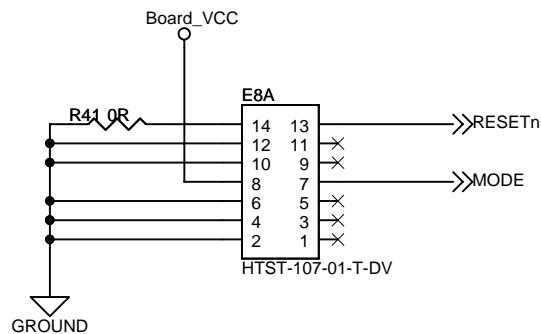
Serial Port

The board is designed to accept a straight-through RS232 male-to-female cable.



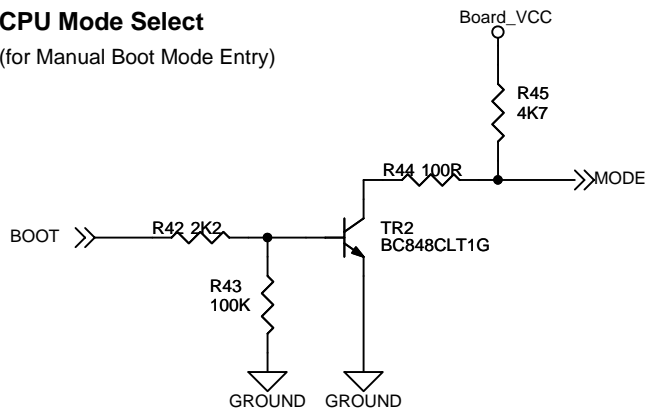
When entered in Manual Boot Mode, UART0 works as serial programming port.

E8a Debug Connector



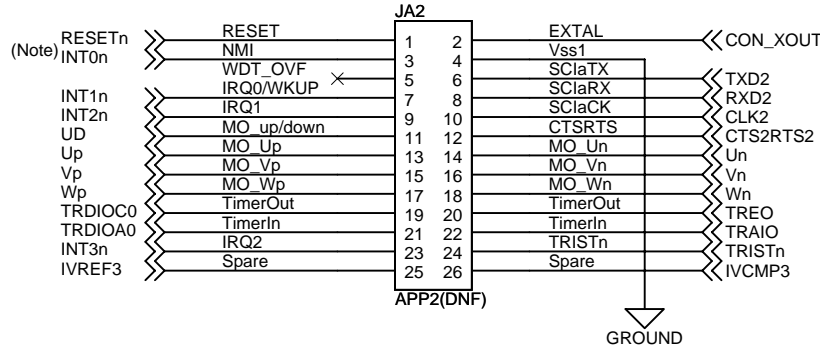
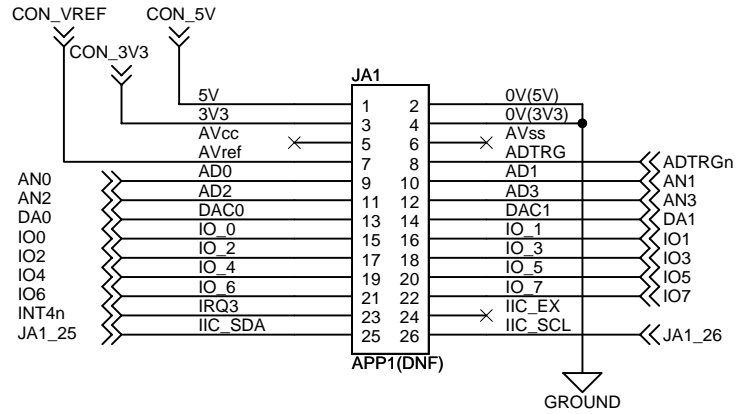
CPU Mode Select

(for Manual Boot Mode Entry)

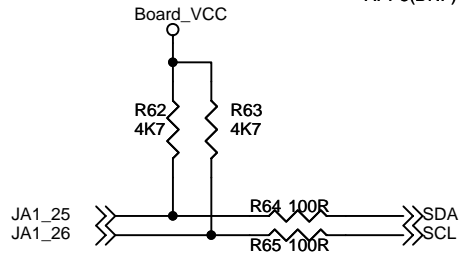
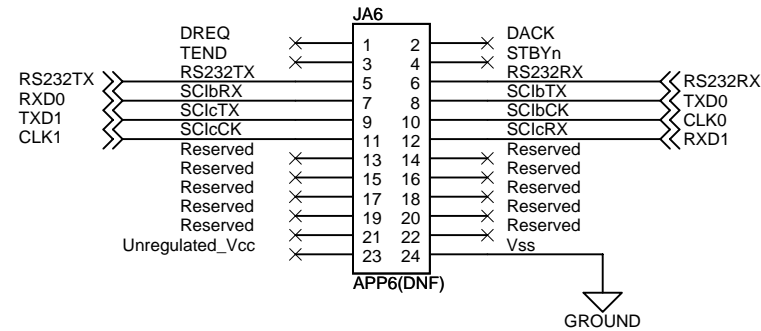
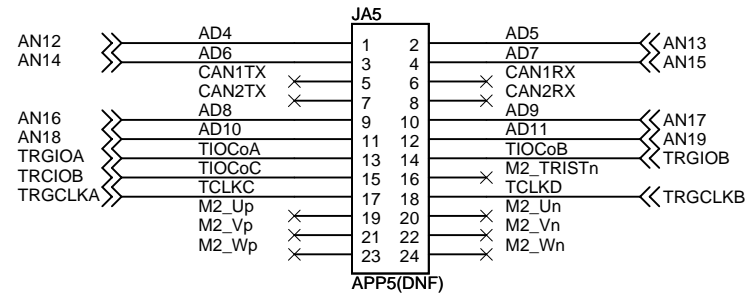


Mode Type	MODE
Single Chip Mode	H
Standard Serial I/O Mode (Boot Mode)	L

Application Board Interface

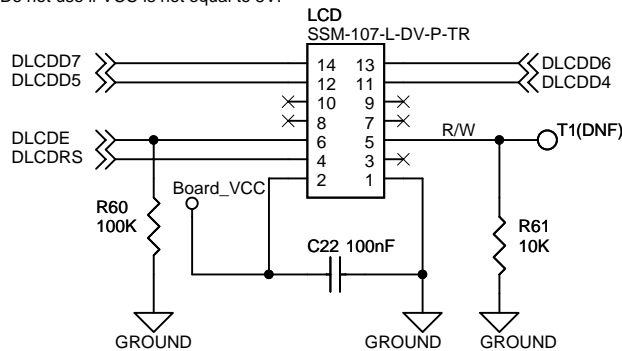


Note on INT0n
ONLY when pulse output forced cutoff signal input is assigned to JA2-3 by the App Board side, INT0n route should be used.



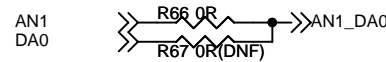
Debug LCD

Do not use if VCC is not equal to 5V.

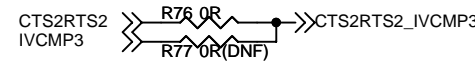


Microcontroller Pin Function Select

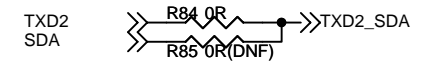
[Micon Pin#66(P0_6)]



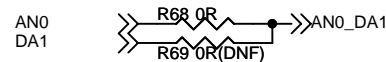
[Micon Pin#22(P3_3)]



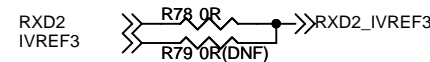
[Micon Pin#19(P3_7)]



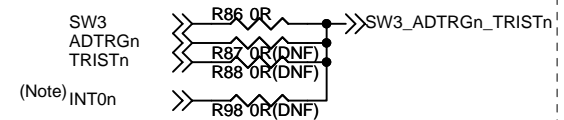
[Micon Pin#65(P0_7)]



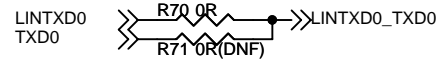
[Micon Pin#21(P3_4)]



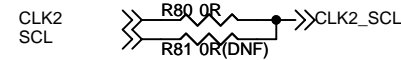
[Micon Pin#48(P4_5)]



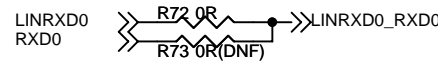
[Micon Pin#52(P1_4)]



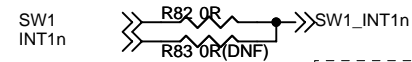
[Micon Pin#20(P3_5)]



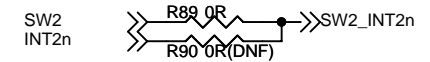
[Micon Pin#51(P1_5)]



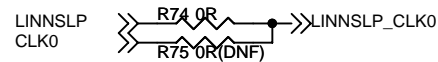
[Micon Pin#35(P3_6)]



[Micon Pin#46(P6_6)]

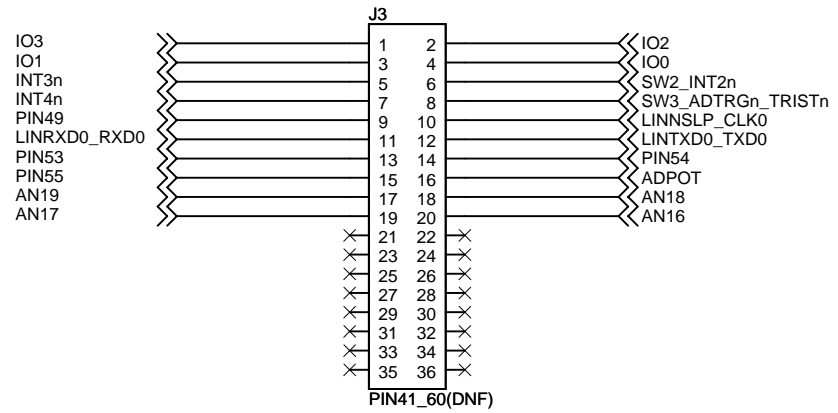
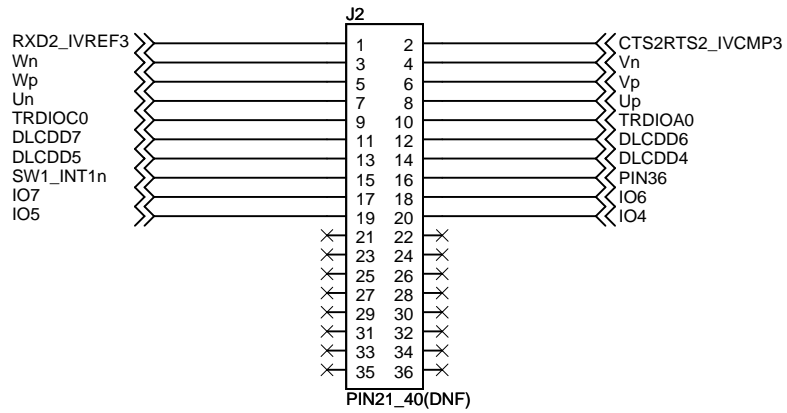
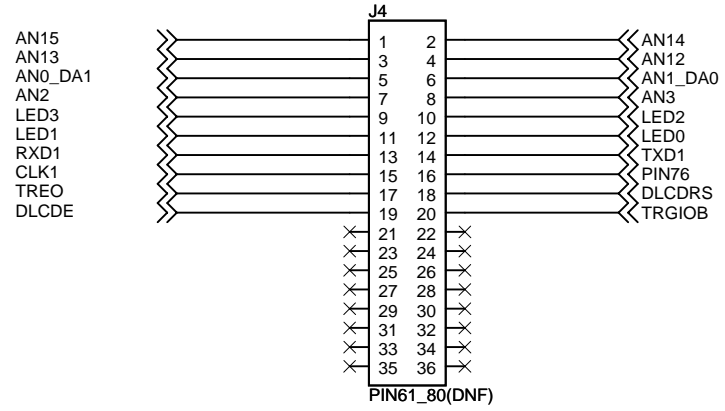
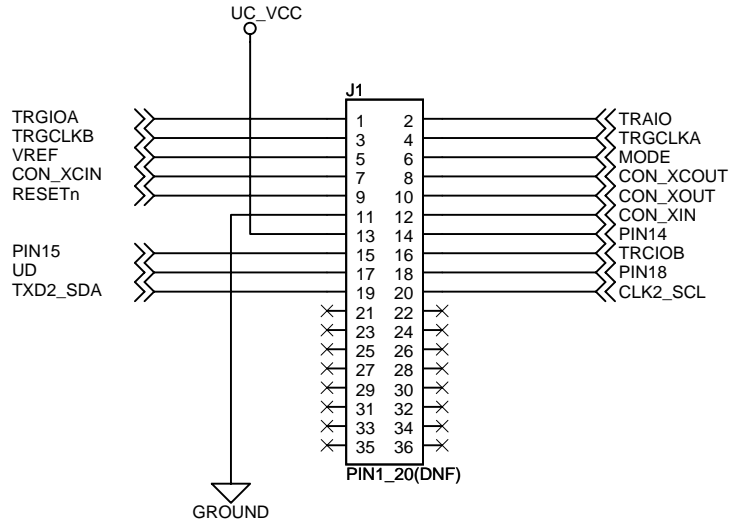


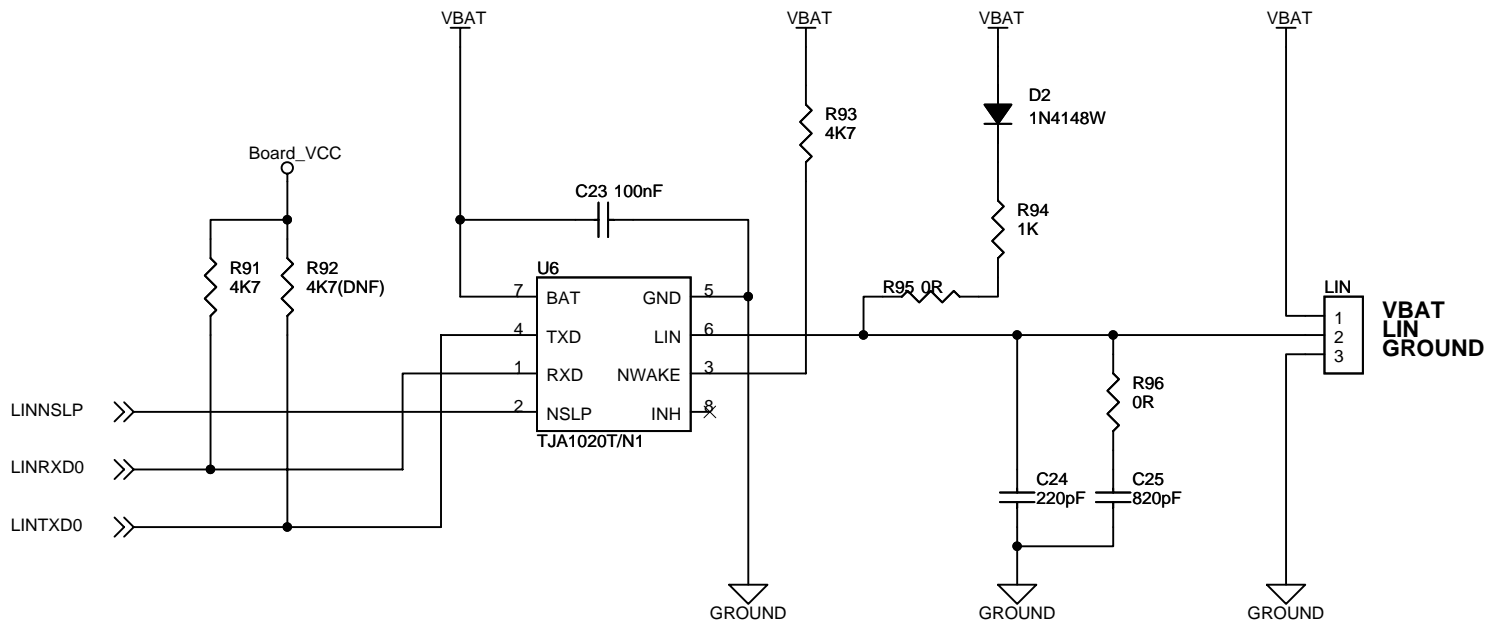
[Micon Pin#50(P1_6)]



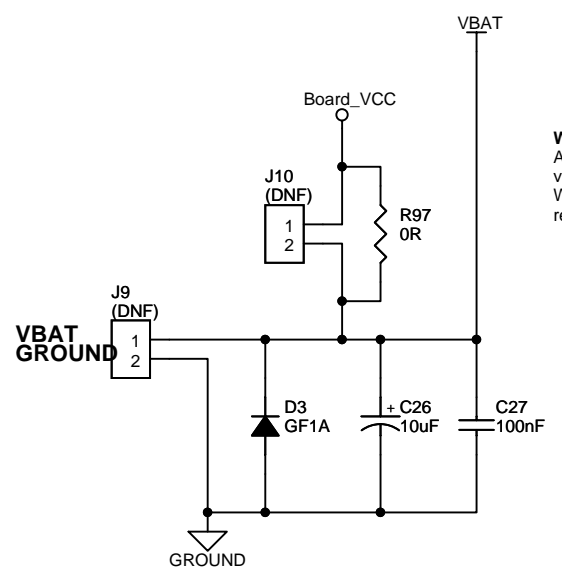
Renesas Solutions Corp.		
Title RSKR8C38C [Application Headers, Micon Pin Function Select, Debug LCD]		
Size A4	Document Number RJJ99J0068-0100	Rev 1.00
Date: Thursday, March 04, 2010	Sheet 5	of 7

Microcontroller Pin Headers





LIN Mode Select	Fitted	Removed
R95, R96	Master	Slave



Warning:
 As for default setting, Board_VCC is supplied to VBAT via R97.
 When external power is supplied to VBAT, please be sure to remove R97.

Renesas Solutions Corp.		
Title RSKR8C38C [LIN]		
Size A4	Document Number RJJ99J0068-0100	Rev 1.00
Date: Thursday, March 04, 2010	Sheet 7	of 7