

# ISL70591SEHEVAL1Z

User's Manual: Evaluation Board

High Reliability

**ISL70591SEHEVAL1Z**

Evaluation Board

UG175  
Rev.0.00  
August 30, 2018

**1. Overview**

The [ISL70591SEH](#) IC is a radiation hardened 100µA precision constant current source designed for thermistor and other resistive sensor excitation applications. Its two-terminal floating type topology allows the load to be connected at the high side (+V pin), low side (-V pin), or at both the high and low sides of the current source. It is specifically designed to operate in the harsh environment of space.

The ISL70591SEHEVAL1Z evaluation board provides a quick and easy method to evaluate the ISL70591SEH 100µA current source. A thorough knowledge of the ISL70591SEH's operation is required to use this evaluation board properly. Refer to the [ISL70591SEH](#) datasheet for information about the device's function and performance.

**1.1 Key Features**

- Convenient test points and connections for test equipment
- Jumpers to select between a short (0Ω resistor), 100Ω resistor, or 1kΩ resistor at either the input side or output side, or at both sides of the current source
- Banana jacks for:
  - Power
  - Ground
  - Connecting external loads and circuitry such as external sensors and signal conditioning circuits (for example, instrumentation amplifiers) between VS and VP and/or between VM and GND

**1.2 Specifications**

This evaluation board is configured and optimized for the following conditions:

- $V_S = 3V$  to 40V
- Board temperature: +25°C

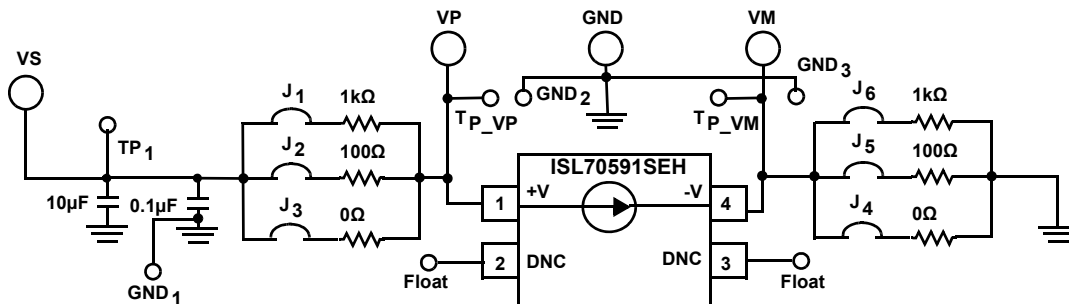
**1.3 Ordering Information**

Part Number	Description
ISL70591SEHEVAL1Z	ISL70591SEHEVAL1Z evaluation board

**1.4 Related Literature**

For a full list of related documents, visit our website:

- [ISL70591SEH](#) product page



**Figure 1. ISL70591SEHEVAL1Z Block Diagram**

## 2. Functional Description

[Figure 1 on page 2](#) shows the ISL70591SEHEVAL1Z evaluation board block diagram. A picture of the ISL70591SEHEVAL1Z is shown in [Figure 3 on page 6](#). The ISL70591SEHF/PROTO 4 Ld flatpack IC is soldered onto the ISL70591SEHEVAL1Z. It is located in the lower center of the board and is designated as U1.

The current source outputs a constant current of 100 $\mu$ A to the circuit that is connected in series with the IC. It is designed to operate across a compliance voltage range of +3V to +40V (+35V under ion beam) and a temperature range of -55°C to +125°C.

The ISL70591SEHEVAL1Z is a simple platform to demonstrate the features and evaluate the performance of the ISL70591SEH current source. It provides easy access to the pins of the ISL70591SEH device and convenient connectors/test points for connecting test equipment. For more information, refer to the schematic ([Figure 4 on page 7](#)), top layer silkscreen ([Figure 7 on page 9](#)), and “[Bill of Materials](#)” on page 8.

[Figures 8 through 17](#) show performance data taken using the ISL70591SEHEVAL1Z and basic lab equipment.

This user guide explains how to configure and use the ISL70591SEHEVAL1Z to evaluate the ISL70591SEH current source.

### 2.1 Basic Layout

Refer to [Figure 3 on page 6](#) for a picture of the ISL70591SEHEVAL1Z. The basic layout of the ISL70591SEHEVAL1Z is as follows:

The ISL70591SEHF/PROTO current source IC (U<sub>1</sub>) is located in the lower center of the board. The ISL70591SEHEVAL1Z's Pin 1 dot shows how the IC should be oriented on the evaluation board. The IC Pin 1 indicator triangle must be aligned with the evaluation board Pin 1 dot indicator. The IC is soldered onto the evaluation board.

The banana jack labeled VS at the left side of the board provides power to the IC. A DC voltage source of 3V to 40V must be connected between VS and the GND banana jack to power the part. Use test points TP<sub>1</sub> (VS), GND<sub>1</sub>, GND<sub>2</sub>, and GND<sub>3</sub> to measure the VS voltage.

The banana jack labeled VP at the upper left corner of the board provides access to the +V input of the current source. External circuitry can be connected to the +V of the current source by removing jumpers J<sub>1</sub>, J<sub>2</sub>, and J<sub>3</sub> and connecting the circuitry between the VS banana jack and the VP banana jack.

The banana jack labeled VM at the upper right corner of the board provides access to the -V output of the current source. External circuitry can be connected to the -V of the current source by removing jumpers J<sub>4</sub>, J<sub>5</sub>, and J<sub>6</sub> and connecting the circuitry between the VM banana jack and the ground of the system.

The board is populated with two sets of resistors.

- R<sub>1</sub> (0 $\Omega$  resistor), R<sub>2</sub> (100 $\Omega$  resistor), and R<sub>3</sub> (1k $\Omega$  resistor) are connected between the VS banana jack and the +V input of the current source. Populate J<sub>1</sub> to connect R<sub>1</sub>, J<sub>2</sub> to connect R<sub>2</sub>, and J<sub>3</sub> to connect R<sub>3</sub>.
- R<sub>4</sub> (0 $\Omega$  resistor), R<sub>5</sub> (100 $\Omega$  resistor), and R<sub>6</sub> (1k $\Omega$  resistor) are connected between the -V output of the current source and ground (GND). Populate J<sub>4</sub> to connect R<sub>4</sub>, J<sub>5</sub> to connect R<sub>5</sub>, and J<sub>6</sub> to connect R<sub>6</sub>.

The board schematic ([Figure 4 on page 7](#)) shows the reference designators of the jumpers, resistors, and connectors associated with each I/O.

#### 2.1.1 Power Supply

The ISL70591SEH IC requires a DC power supply in the range of 3.0V to 40V.

The power supply is connected at banana jacks VS and GND. The power supply should be capable of delivering >100 $\mu$ A of current.

The ISL70591SEH current source has a wide compliance voltage range from 3V to 40V in terrestrial applications and 3V to 35V in the space applications.

A minimum voltage of at least 3V must be maintained across the current source for proper functionality. If the voltage across the current source drops below 3V, the current drops significantly and the part no longer functions properly.

### 2.1.2 High-Side Load, Low-Side Load, and Dual-Side Load Operation

The ISL70591SEH device is a two-terminal completely floating current source. All current entering the +V pin exits the -V pin. This allows for the circuit loading to be applied at the positive side (+V), the negative side (-V), or at both the +V and -V sides of the current source.

The floating topology allows the current source to be used in a variety of applications that require loads to be connected as a high-side load, low-side load, or dual-side load.

The resistors R<sub>1</sub>, R<sub>2</sub>, R<sub>3</sub>, R<sub>4</sub>, R<sub>5</sub>, and R<sub>6</sub> as well as their associated jumpers J<sub>1</sub>, J<sub>2</sub>, J<sub>3</sub>, J<sub>4</sub>, J<sub>5</sub>, and J<sub>6</sub> can be configured to demonstrate high-side load, low-side load, or dual-side load.

#### 2.1.2.1 High-Side Load

Connect the current source to a negative power supply or ground on the negative voltage lead (-V). Connect the load between the positive voltage lead (+V) of the current source and a positive power supply.

#### 2.1.2.2 Low-Side Load

Connect the current source directly to a positive power supply on the positive voltage lead (+V). Connect the load to the negative voltage lead (-V) and to either a negative power supply or to ground.

#### 2.1.2.3 Dual-Side Load

Connect the current source's first load to the positive voltage lead (+V) and positive power supply. Connect the second load to the negative voltage lead (-V) and to either a negative power supply or to ground.

### 2.1.3 Connecting Multiple Current Sources in Parallel for Higher Drive Current

You can parallel multiple current sources together to build a current source with higher current capability. The current into the circuit load from paralleled current sources is equal to the summation of the current from each current source. For example, two ISL70591SEHEVAL1Z boards connected in parallel supply 200 $\mu$ A of current to the circuit. Three ISL70591SEHEVAL1Z boards in parallel provide 300 $\mu$ A of current. The number of current sources you can connect in parallel is theoretically unlimited as long the circuit loading maintains at least 3V across the +V and -V terminals of the ISL70591SEH ICs.

## 2.2 Quick Start Guide

### 2.2.1 Required Equipment

The following equipment is needed to operate the board:

- One 3V to 20V DC power supply capable of delivering 100mA
- One ammeter (Keithley 2000 multimeter or equivalent)
- Two voltmeters (Keithley 2000 multimeter or equivalent)

### 2.2.2 Using the Board

- (1) Configure the board as shown in [Figure 2 on page 5](#).
- (2) Set the DC supply to 10V. Turn the DC power supply ON. The current in the ammeter should read approximately 100.3 $\mu$ A. The current in the ammeter should read in the range of 99.7 $\mu$ A to 100.4 $\mu$ A with a typical value of approximately 100.3 $\mu$ A.

- (3) Adjust the DC supply voltage to 5V. The current in the ammeter should read in the range of 99.7 $\mu$ A to 100.4 $\mu$ A with a typical value of approximately 100.3 $\mu$ A.
- (4) Adjust the DC supply voltage to 15V. The current in the ammeter should read in the range of 99.7 $\mu$ A to 100.4 $\mu$ A with a typical value of approximately 100.3 $\mu$ A.
- (5) Turn the DC supply OFF. Remove the jumpers from J<sub>3</sub> and J<sub>4</sub>. Put jumpers on J<sub>1</sub> and J<sub>6</sub>. Set the DC supply to 5V. The current in the ammeter should read in the range of 99.7 $\mu$ A to 100.4 $\mu$ A with a typical value of approximately 100.3 $\mu$ A. The V<sub>1</sub> voltage should read approximately 4.9V and the V<sub>2</sub> voltage should in the range of 98.7mV to 102.4mV with a typical value of approximately 101.7mV.
- (6) Set the DC supply to 10V. The current in the ammeter should read in the range of 99.7 $\mu$ A to 100.4 $\mu$ A with a typical value of approximately 100.3 $\mu$ A. The V<sub>1</sub> voltage should read approximately 9.9V and the V<sub>2</sub> voltage should read in the range of 98.7mV to 102.4mV with a typical value of approximately 101.7mV.
- (7) Turn the DC supply OFF. Remove the jumpers from J<sub>1</sub> and J<sub>6</sub>. Place jumpers on J<sub>2</sub> and J<sub>5</sub>. Set the DC supply to 10V. The current in the ammeter should read in the range of 99.7 $\mu$ A to 100.4 $\mu$ A with a typical value of approximately 100.3 $\mu$ A. The V<sub>1</sub> voltage should read approximately 9.99V and the V<sub>2</sub> voltage should read in the range of 9.87mV to 11.2mV with a typical value of approximately 11.06mV.
- (8) Set the DC supply to 15V. The current in the ammeter should read in the range of 99.7 $\mu$ A to 100.4 $\mu$ A with a typical value of approximately 100.3 $\mu$ A. The V<sub>1</sub> voltage should read approximately 14.99V and the V<sub>2</sub> voltage should read in the range of 9.87mV to 11.2mV with a typical value of approximately 11.06mV.

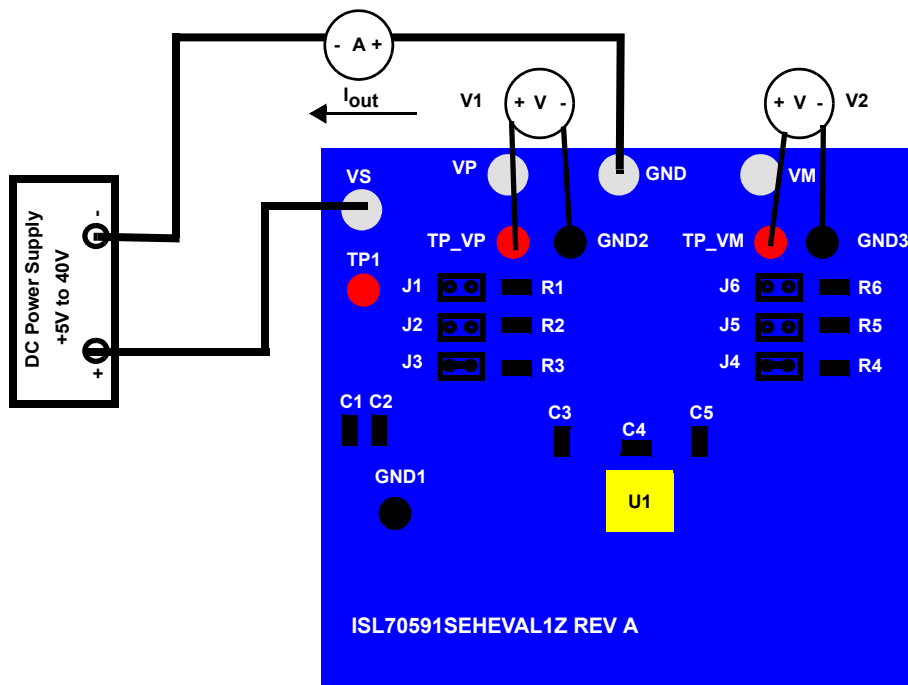


Figure 2. Basic Evaluation Test Setup Block Diagram

### 3. PCB Layout Guidelines

#### 3.1 ISL70591SEHEVAL1Z Evaluation Board



Figure 3. ISL70591SEHEVAL1Z Evaluation Board

3.2 ISL70591SEHEVAL1Z Circuit Schematic

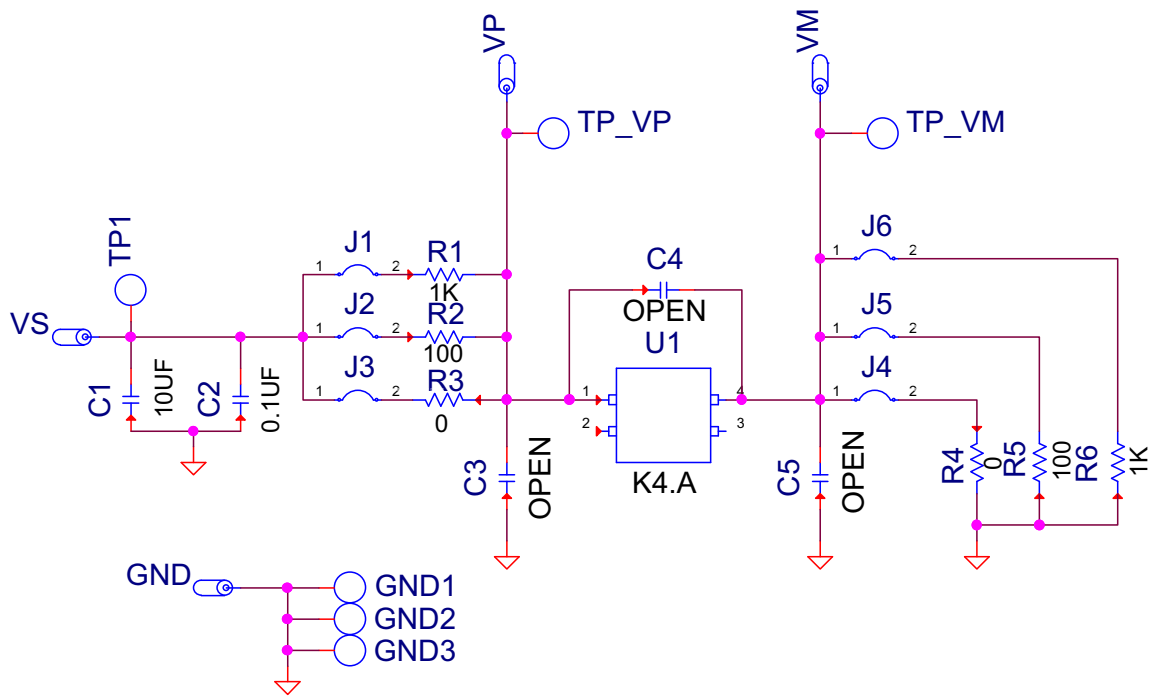


Figure 4. Schematic

### 3.3 Bill of Materials

Qty	Reference Designator	Description	Mfr	Manufacturer Part Number
1	-	PWB-PCB, ISL70591SEHEVAL1Z, REVA, RoHS	Imagineering Inc	ISL70591SEHEVAL1ZREVA PCB
1	C1	CAP, SMD, 0805, 10 $\mu$ F, 25V, 10%, X5R, RoHS	TDK	C2012X5R1E106K
1	C2	CAP, SMD, 0805, 0.1 $\mu$ F, 50V, 10%, X7R, RoHS	Kemet	C0805C104K5RACTU
0	C3, C4, C5	CAP, SMD, 0805, DNP-PLACE HOLDER, RoHS		
3	TP1, TP_VP, TP_VM	CONN - MINI TEST PT, VERTICAL, RED, RoHS	Keystone	5000
3	GND1, GND2, GND3	CONN - MINI TEST PT, VERTICAL, BLK, RoHS	Keystone	5001
4	VM, VP, VS, GND	CONN-JACK, MINI BANANA, 0.175 PLUG, NICKEL/BRASS, RoHS	Keystone	575-4
6	J1, J2, J3, J4, J5, J6	CONN-HEADER, 1x2, BRKAWY 1x36, 2.54mm, RoHS	Berg/FCI	68000-236HLF
1	U1	IC-RAD HARD, 100 $\mu$ A CURRENT SOURCE, 4P, KCW, RoHS	Renesas	ISL70591SEHF/PROTO
2	R3, R4	RES, SMD, 0805, 0 $\Omega$ , 1/8W, TF, RoHS	Yageo	RC0805JR-070RL
2	R2, R5	RES, SMD, 0805, 100 $\Omega$ , 1/8W, 1%, TF, RoHS,	Venkel	CR0805-8W-1000FT
2	R1, R6	RES, SMD, 0805, 1k, 1/8W, 1%, TF, RoHS	Venkel	CR0805-8W-1001FT
4	Bottom four corners	BUMPONS, 0.44inW x 0.20inH, DOMETOP, BLACK	3M	SJ-5003SPBL
1	Place assy in bag	BAG, STATIC, 5x8, ZIPLOC, RoHS	Renesas	212403-013
1	Affix to back of PCB	LABEL-DATE CODE_LINE 1: YRWK/REV#, LINE 2: BOM NAME	Renesas	LABEL-DATE CODE



### 3.4 Board Layout

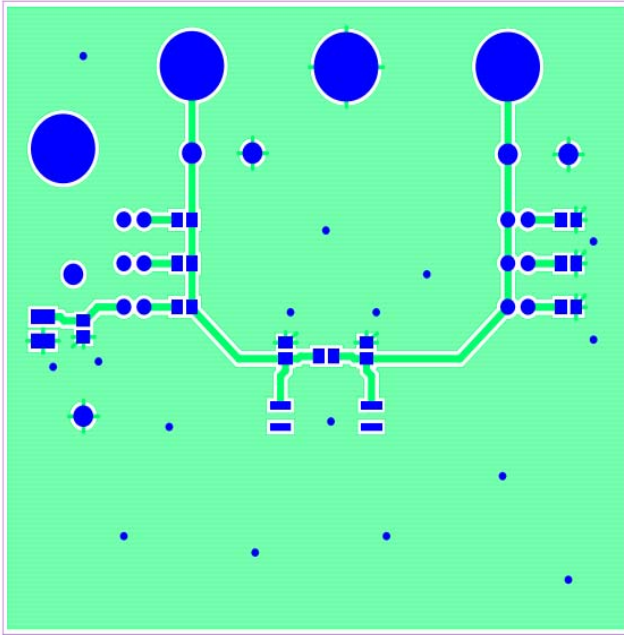


Figure 5. Top Layer

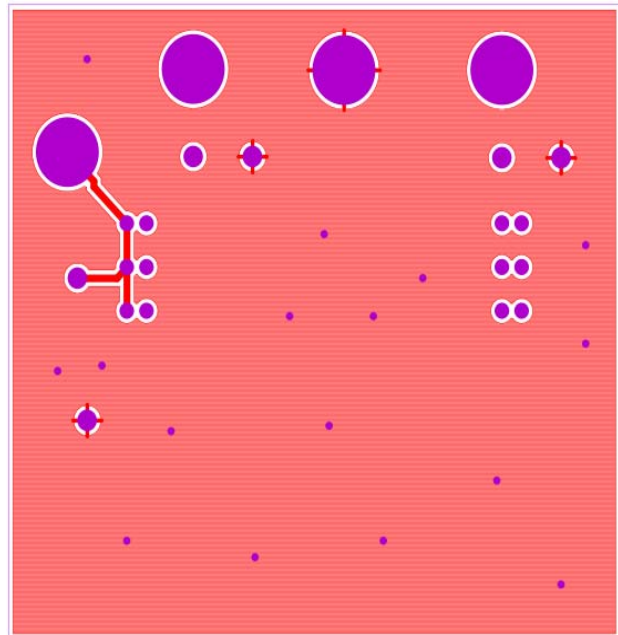


Figure 6. Bottom Layer

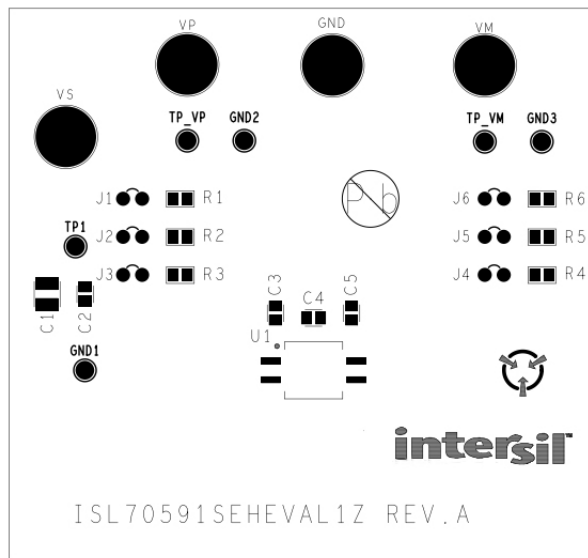


Figure 7. Top Layer Silk Screen

### 4. Typical Performance Curves

Unless otherwise noted, +V = 20V; T<sub>A</sub> = +25°C

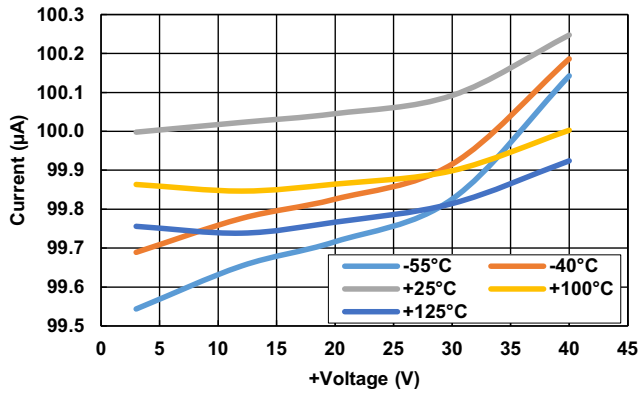


Figure 8. Output Current vs Voltage vs Temperature

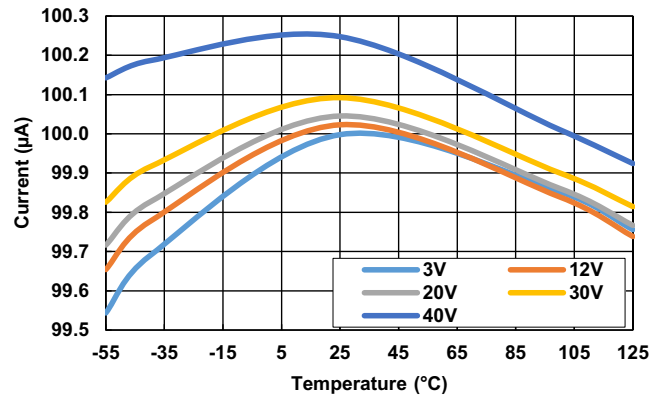


Figure 9. Output Current vs Temperature vs Voltage

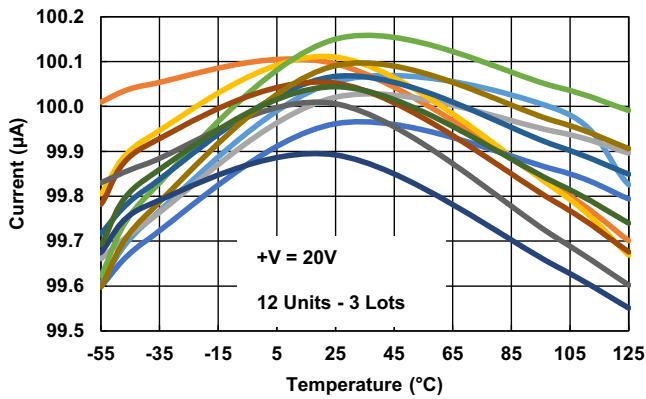
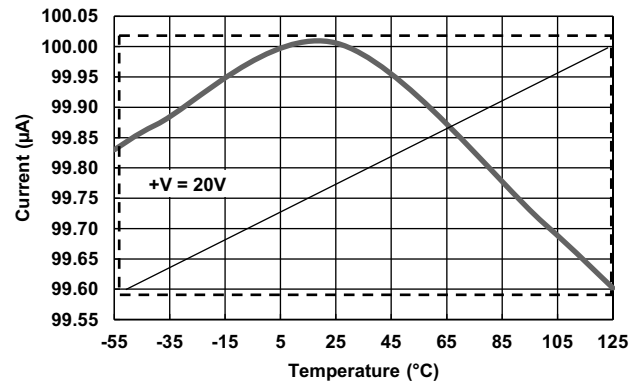


Figure 10. Output Current vs Temperature vs (12 units - 3 lots)



$$100.006\mu\text{A} - 99.602\mu\text{A}/180^\circ\text{C} = 0.404\mu\text{A}/180^\circ\text{C} = 2.25\text{nA}/^\circ\text{C}$$

$$[2.25\text{nA}/^\circ\text{C}/100\mu\text{A}] \times 10^6 = 22.5\text{ppm}/^\circ\text{C}.$$

Figure 11. Typical Temperature Coefficient at +V = 20V

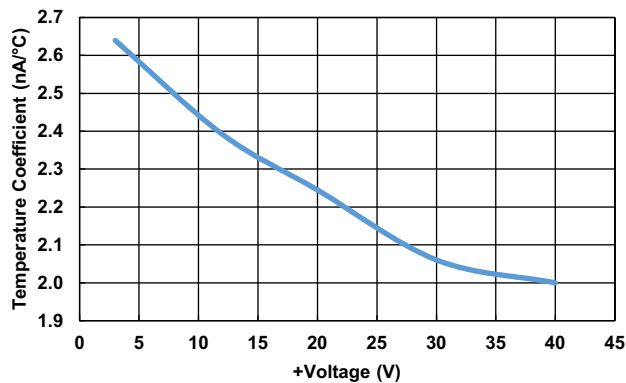


Figure 12. Current Temperature Coefficient vs Voltage

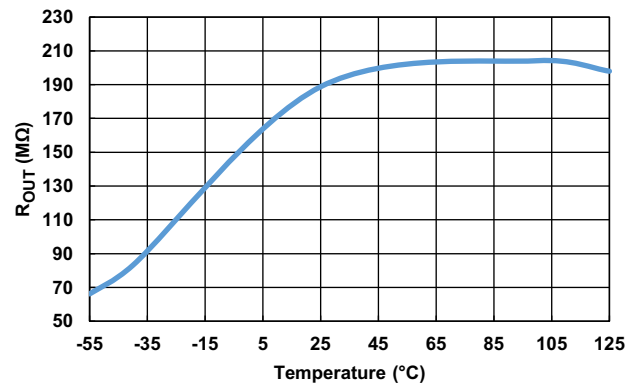


Figure 13. Output Impedance (R<sub>OUT</sub>) vs Temperature

Unless otherwise noted, +V = 20V; T<sub>A</sub> = +25°C (Continued)

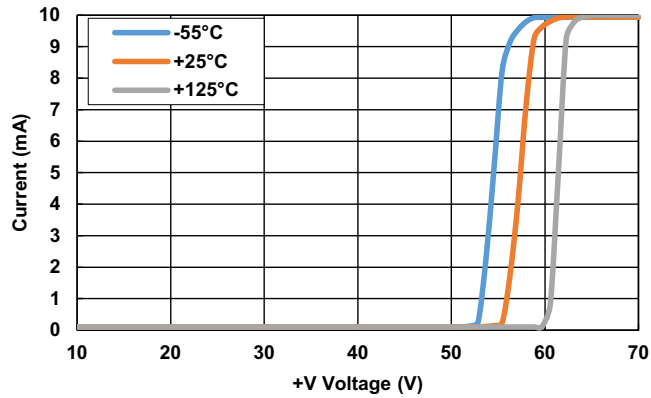


Figure 14. +V Breakdown Voltage

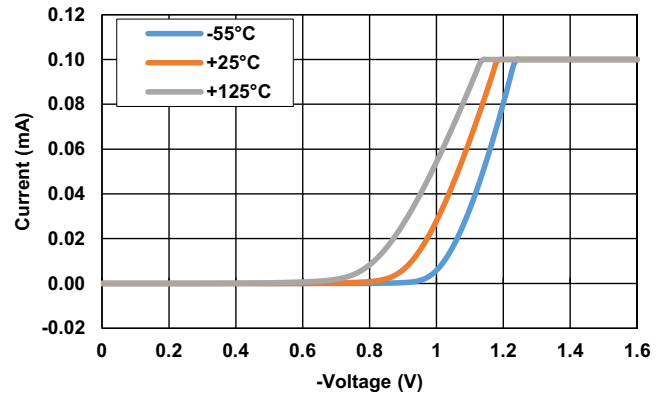


Figure 15. Reverse (-V) Breakdown Voltage

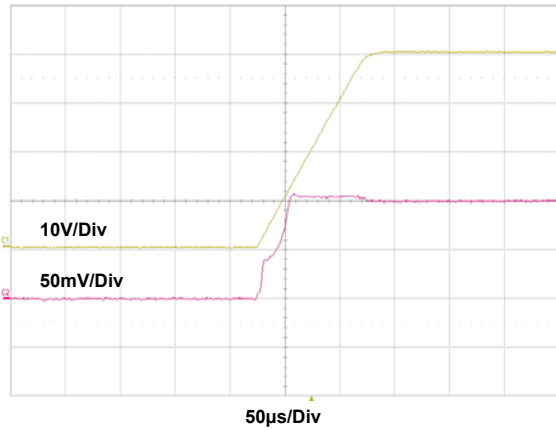


Figure 16. Turn-on Time Plot (40V/100µs Ramp)

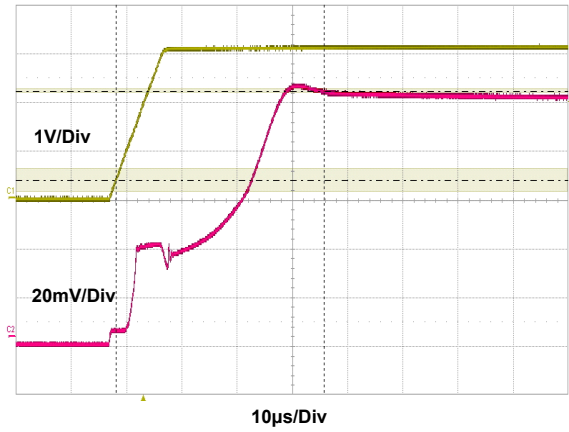


Figure 17. Turn-on Time Plot (3.1V/10µs Ramp)

## 5. Revision History

Rev.	Date	Description
0.00	Aug 30, 2018	Initial release

## Notice

1. Descriptions of circuits, software and other related information in this document are provided only to illustrate the operation of semiconductor products and application examples. You are fully responsible for the incorporation or any other use of the circuits, software, and information in the design of your product or system. Renesas Electronics disclaims any and all liability for any losses and damages incurred by you or third parties arising from the use of these circuits, software, or information.
2. Renesas Electronics hereby expressly disclaims any warranties against and liability for infringement or any other claims involving patents, copyrights, or other intellectual property rights of third parties, by or arising from the use of Renesas Electronics products or technical information described in this document, including but not limited to, the product data, drawings, charts, programs, algorithms, and application examples.
3. No license, express, implied or otherwise, is granted hereby under any patents, copyrights or other intellectual property rights of Renesas Electronics or others.
4. You shall not alter, modify, copy, or reverse engineer any Renesas Electronics product, whether in whole or in part. Renesas Electronics disclaims any and all liability for any losses or damages incurred by you or third parties arising from such alteration, modification, copying or reverse engineering.
5. Renesas Electronics products are classified according to the following two quality grades: "Standard" and "High Quality". The intended applications for each Renesas Electronics product depends on the product's quality grade, as indicated below.  
"Standard": Computers; office equipment; communications equipment; test and measurement equipment; audio and visual equipment; home electronic appliances; machine tools; personal electronic equipment; industrial robots; etc.  
"High Quality": Transportation equipment (automobiles, trains, ships, etc.); traffic control (traffic lights); large-scale communication equipment; key financial terminal systems; safety control equipment; etc.  
Unless expressly designated as a high reliability product or a product for harsh environments in a Renesas Electronics data sheet or other Renesas Electronics document, Renesas Electronics products are not intended or authorized for use in products or systems that may pose a direct threat to human life or bodily injury (artificial life support devices or systems; surgical implantations; etc.), or may cause serious property damage (space system; undersea repeaters; nuclear power control systems; aircraft control systems; key plant systems; military equipment; etc.). Renesas Electronics disclaims any and all liability for any damages or losses incurred by you or any third parties arising from the use of any Renesas Electronics product that is inconsistent with any Renesas Electronics data sheet, user's manual or other Renesas Electronics document.
6. When using Renesas Electronics products, refer to the latest product information (data sheets, user's manuals, application notes, "General Notes for Handling and Using Semiconductor Devices" in the reliability handbook, etc.), and ensure that usage conditions are within the ranges specified by Renesas Electronics with respect to maximum ratings, operating power supply voltage range, heat dissipation characteristics, installation, etc. Renesas Electronics disclaims any and all liability for any malfunctions, failure or accident arising out of the use of Renesas Electronics products outside of such specified ranges.
7. Although Renesas Electronics endeavors to improve the quality and reliability of Renesas Electronics products, semiconductor products have specific characteristics, such as the occurrence of failure at a certain rate and malfunctions under certain use conditions. Unless designated as a high reliability product or a product for harsh environments in a Renesas Electronics data sheet or other Renesas Electronics document, Renesas Electronics products are not subject to radiation resistance design. You are responsible for implementing safety measures to guard against the possibility of bodily injury, injury or damage caused by fire, and/or danger to the public in the event of a failure or malfunction of Renesas Electronics products, such as safety design for hardware and software, including but not limited to redundancy, fire control and malfunction prevention, appropriate treatment for aging degradation or any other appropriate measures. Because the evaluation of microcomputer software alone is very difficult and impractical, you are responsible for evaluating the safety of the final products or systems manufactured by you.
8. Please contact a Renesas Electronics sales office for details as to environmental matters such as the environmental compatibility of each Renesas Electronics product. You are responsible for carefully and sufficiently investigating applicable laws and regulations that regulate the inclusion or use of controlled substances, including without limitation, the EU RoHS Directive, and using Renesas Electronics products in compliance with all these applicable laws and regulations. Renesas Electronics disclaims any and all liability for damages or losses occurring as a result of your noncompliance with applicable laws and regulations.
9. Renesas Electronics products and technologies shall not be used for or incorporated into any products or systems whose manufacture, use, or sale is prohibited under any applicable domestic or foreign laws or regulations. You shall comply with any applicable export control laws and regulations promulgated and administered by the governments of any countries asserting jurisdiction over the parties or transactions.
10. It is the responsibility of the buyer or distributor of Renesas Electronics products, or any other party who distributes, disposes of, or otherwise sells or transfers the product to a third party, to notify such third party in advance of the contents and conditions set forth in this document.
11. This document shall not be reprinted, reproduced or duplicated in any form, in whole or in part, without prior written consent of Renesas Electronics.
12. Please contact a Renesas Electronics sales office if you have any questions regarding the information contained in this document or Renesas Electronics products.  
(Note 1) "Renesas Electronics" as used in this document means Renesas Electronics Corporation and also includes its directly or indirectly controlled subsidiaries.  
(Note 2) "Renesas Electronics product(s)" means any product developed or manufactured by or for Renesas Electronics.

(Rev.4.0-1 November 2017)



### SALES OFFICES

Renesas Electronics Corporation

<http://www.renesas.com>

Refer to "<http://www.renesas.com/>" for the latest and detailed information.

**California Eastern Laboratories, Inc.**  
4590 Patrick Henry Drive, Santa Clara, California 95054-1817, U.S.A.  
Tel: +1-408-919-2500, Fax: +1-408-988-0279

**Renesas Electronics Canada Limited**  
9251 Yonge Street, Suite 8309 Richmond Hill, Ontario Canada L4C 9T3  
Tel: +1-905-237-2004

**Renesas Electronics Europe Limited**  
Dukes Meadow, Millboard Road, Bourne End, Buckinghamshire, SL8 5FH, U.K  
Tel: +44-1628-651-700

**Renesas Electronics Europe GmbH**  
Arcadiastrasse 10, 40472 Düsseldorf, Germany  
Tel: +49-211-6503-0, Fax: +49-211-6503-1327

**Renesas Electronics (China) Co., Ltd.**  
Room 1709 Quantum Plaza, No.27 ZhichunLu, Haidian District, Beijing, 100191 P. R. China  
Tel: +86-10-8235-1155, Fax: +86-10-8235-7679

**Renesas Electronics (Shanghai) Co., Ltd.**  
Unit 301, Tower A, Central Towers, 555 Langao Road, Putuo District, Shanghai, 200333 P. R. China  
Tel: +86-21-2226-0888, Fax: +86-21-2226-0999

**Renesas Electronics Hong Kong Limited**  
Unit 1601-1611, 16/F., Tower 2, Grand Century Place, 193 Prince Edward Road West, Mongkok, Kowloon, Hong Kong  
Tel: +852-2265-6688, Fax: +852 2886-9022

**Renesas Electronics Taiwan Co., Ltd.**  
13F, No. 363, Fu Shing North Road, Taipei 10543, Taiwan  
Tel: +886-2-8175-9600, Fax: +886 2-8175-9670

**Renesas Electronics Singapore Pte. Ltd.**  
80 Bendemeer Road, Unit #06-02 Hyflux Innovation Centre, Singapore 339949  
Tel: +65-6213-0200, Fax: +65-6213-0300

**Renesas Electronics Malaysia Sdn.Bhd.**  
Unit 1207, Block B, Menara Amcorp, Amcorp Trade Centre, No. 18, Jln Persiaran Barat, 46050 Petaling Jaya, Selangor Darul Ehsan, Malaysia  
Tel: +60-3-7955-9390, Fax: +60-3-7955-9510

**Renesas Electronics India Pvt. Ltd.**  
No.77C, 100 Feet Road, HAL 2nd Stage, Indiranagar, Bangalore 560 038, India  
Tel: +91-80-67208700, Fax: +91-80-67208777

**Renesas Electronics Korea Co., Ltd.**  
17F, KAMCO Yangjae Tower, 262, Gangnam-daero, Gangnam-gu, Seoul, 06265 Korea  
Tel: +82-2-558-3737, Fax: +82-2-558-5338

ISL70591SEHEVAL1Z

**intersil**<sup>™</sup>