

ISL9000A Evaluation Board User Guide

Description

The ISL9000A Evaluation Board is designed to provide a complete platform for demonstrating the performance of the ISL9000A Low Dropout Regulator IC (LDO). It is designed to show the small space required for all the components, while providing room to access the signals.

The layout is intended to minimize thermal effects, to better evaluate current limits and voltage regulation accuracy. In an actual implementation, the area for heat sinking may be smaller, so thermal effects may make the operation slightly different.

The ISL9000A evaluation board constitutes a complete dual voltage regulator solution. The PCB board is 2 inches by 3 inches, however, the actual charger components easily fit within a 0.9x1.6 cm area (components on one side), demonstrating the space saving advantage of the ISL9000A in limited space applications.

A voltage source can be connected to the two pin connector (J2, default) or to the banana jacks (not populated). For monitoring the output, test instruments can be connected to the five pin connector (J13, default) or to the banana jacks or scope probe jacks (not populated). Additional test points provide a convenient way to monitor the POR outputs and the signal on the bypass capacitor. This can be especially important when testing the LDO in a temperature chamber. Several ground pins provide reference points for test leads. Additional “kelvin” test points are provided for VIN, VO1, VO2, and GND to monitor the actual performance of the IC. This removes the voltage drops across the PCB traces that occurs at higher currents.

The board has a jumper block for enabling each of the two LDO outputs. A shunt can be placed on J3 or J4 between “ENx” and “LOW” pins to provide a 100kΩ pull-down on each EN pin of the device. If J3 or J4 “HI” pins are floating, the respective LDO output will be off, while connecting “HI” to “ENx” will enable the output.

When it is desired that an LDO always be enabled, connect a shunt between “ENx” and “HI” on J3 or J4. In this case the shunt between “ENx” and “LOW” is not needed.

If an external enable signal that drives both high and low is used to enable the LDO outputs, both shunts can be removed from ENx.

A jumper (J10) connects the CPOR input to a 10nF capacitor for POR timing. The jumper can be removed and replaced by a different capacitor to ground for different power on timing requirements.

Ordering Information

PART NUMBER	VO1 VOLTAGE (V)	VO2 VOLTAGE (V)
ISL9000AIRNNZ-EVZ	3.3	3.3
ISL9000AIRNJZ-EVZ	3.3	2.8
ISL9000AIRNFZ-EVZ	3.3	2.5
ISL9000AIRNCZ-EVZ	3.3	1.8
ISL9000AIRMNZ-EVZ	3.0	3.3
ISL9000AIRMMZ-EVZ	3.0	3.0
ISL9000AIRMGZ-EVZ	3.0	2.7
ISL9000AIRLLZ-EVZ	2.9	2.9
ISL9000AIRKNZ-EVZ	2.85	3.3
ISL9000AIRKKZ-EVZ	2.85	2.85
ISL9000AIRKJZ-EVZ	2.85	2.8
ISL9000AIRKFZ-EVZ	2.85	2.5
ISL9000AIRKPZ-EVZ	2.85	1.85
ISL9000AIRKCZ-EVZ	2.85	1.8
ISL9000AIRJNZ-EVZ	2.8	3.3
ISL9000AIRJMZ-EVZ	2.8	3.0
ISL9000AIRJRZ-EVZ	2.8	2.6
ISL9000AIRJCZ-EVZ	2.8	1.8
ISL9000AIRJBZ-EVZ	2.8	1.5
ISL9000AIRGPZ-EVZ	2.7	1.85
ISL9000AIRGCZ-EVZ	2.7	1.8
ISL9000AIRFJZ-EVZ	2.5	2.8
ISL9000AIRFDZ-EVZ	2.5	2.0
ISL9000AIRFCZ-EVZ	2.5	1.8
ISL9000AIRPLZ-EVZ	1.85	2.9
ISL9000AIRPPZ-EVZ	1.85	1.85
ISL9000AIRCJZ-EVZ	1.8	2.8
ISL9000AIRCZ-EVZ	1.8	1.8
ISL9000AIRBLZ-EVZ	1.5	2.9
ISL9000AIRBJZ-EVZ	1.5	2.8
ISL9000AIRBCZ-EVZ	1.5	1.8
ISL9000AIRBBZ-EVZ	1.5	1.5

The board also provides a connector (JP1, not populated) which can connect to a logic analyzer/pattern generator for controlling and monitoring the output response. The connector provides both enable inputs and POR outputs.

Finally, a daughter card connector and a jumper (J14 and J9, not populated) allow specially assembled boards containing untrimmed LDOs to be programmed to custom voltage levels after board assembly. This is done at the factory, so no additional information will be provided in this document.

Features

- Complete dual low dropout regulator (LDO)
- Easy to use board for evaluation of the LDO in a target application
- Exposed soldering pads/pins for monitoring VIN, VO1, VO2, POR1, POR2, and CBYP
- Voltage monitoring using test pins, banana jacks and scope jacks
- Enable jumpers for each supply, plus jumpered enable pull-down resistors
- The board has options for:
 - Changing the CPOR capacitor
 - Using a logic analyser/pattern generator to monitor enable/POR response

What is Inside

The Evaluation Kit contains:

- ISL9000A Evaluation board
- ISL9000A Data Sheet
- ISL9000A Evaluation Board Users Guide (this document)

What is Needed

The following instruments will be needed to perform testing (not provided):

- DC 6.5V/1A Power supply
- Two Digital Voltmeters (4.5 digit or better)
- Oscilloscope
- 2 channel, 0 to 400mA electronic load
- Cables and wires

Quick Setup Guide

Step 1: Place shunts on J3 between “EN1” and HI”, on J4 between “EN1” and HI”, and on J10 (CPOR). This is the factory default connection.

Step 2: Set the power supply to 3.8V with a 1.0A current limit (then turn off).

Step 3: Connect the power supply between VIN and GND using connector J2.

Step 4: Connect two voltmeter positive leads to the VO1 “kelvin” connector (J13-1, “V1K”) and the VO2 “kelvin” connector (J13-5, “V2K”). The meters can also be connected to the VO power pins J2-2 and J2-4 or the banana jacks, but at higher currents, these won’t reflect the output voltage as accurately as the kelvin connections.

Connect the negative leads to GND J13-3. (To get the best representation of the IC output voltage under all output loading conditions, add a ground terminal to the GNDk pad and connect the meter ground leads there).

Step 5: Connect a third voltmeter to the input. This can be connected to the J2 terminal, but at higher inputs, the VIk terminal will give the most accurate reading of the voltage at the ISL9000A VIN pin.

Step 6: (Optional) Connect an electronic load to one or both of the outputs. For the VO1 output, use the VO1 power connector J2-2 (“V1P”). For the VO2 output, use the VO2 power connector J2-4 (“V2P”).

Step 7: Monitor VO1 and VO2. The voltages should reflect the voltage of the selected part. For example, the ISL9000AIRNJZ-EVZ board should have 3.3V and 2.8V outputs.

Step 8: Change the loading on each output and monitor the output voltages

Step 9: Change the input voltage and monitor the effect on the output voltages

For additional testing, such as load transient and line transient response, adding the optional scope jacks will improve the measurement, by reducing external noise. The Scope Jack part number is included in the bill of materials as an optional component.

If desired, banana jacks can be added to the board to facilitate connection of the board to test equipment. Part numbers for these optional components are included in the bill of materials.

Improved PSRR and noise specs can be obtained by replacing the 0.01 μ F (C3) capacitor with a 0.1 μ F capacitor.

Schematic

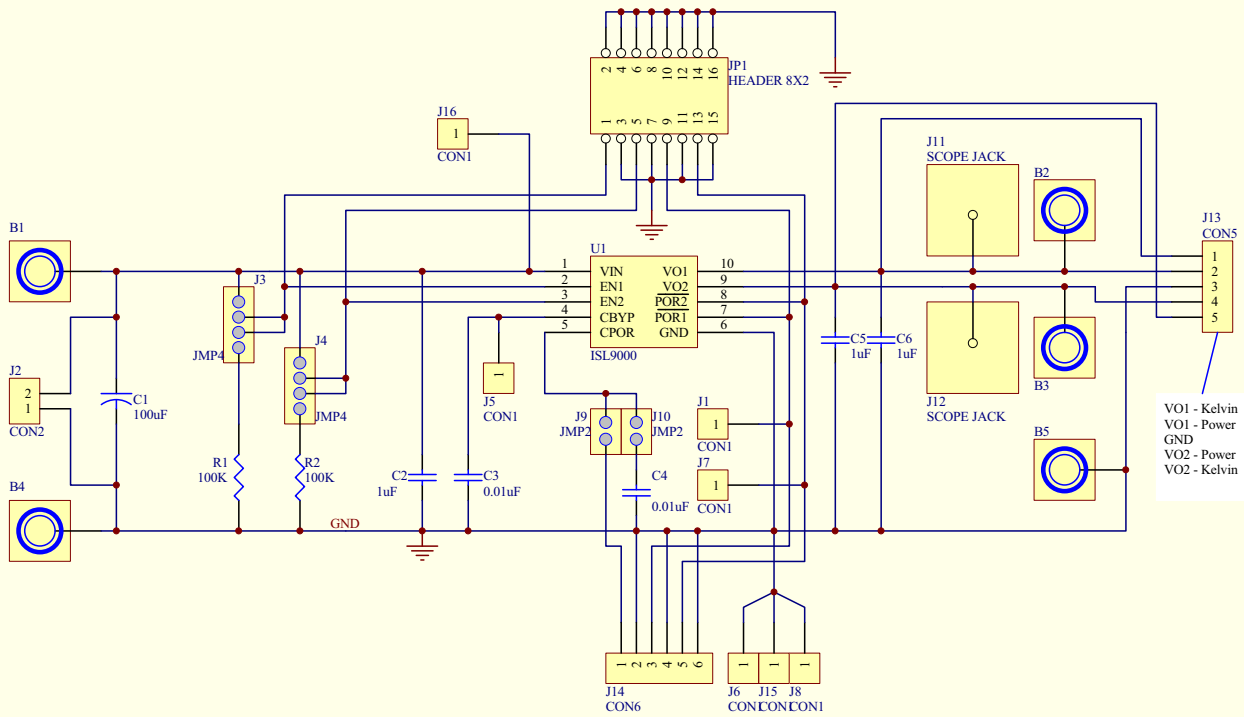


FIGURE 1. ISL9000A EVALUATION BOARD (REV B) SCHEMATIC

Application Note 1767

Bill of Materials

ITEM	QTY	DESCRIPTION	DESIGNATOR	MFR	MFR PART #	COMMENTS
COMPONENTS COMMON TO ALL BOARDS						
1	1	PCB	PCB	-	ISL9000EV2 REV B	
2	2	CAP, SMD, 0603, 0.01 μ F, 50V, 10%, X7R, ROHS	C3, C4	AVX	06035C103KAT2A	0603 capacitor
3	1	CAP, SMD, 0805, 1 μ F, 16V, 10%, X5R, ROHS	C2	Panasonic	ECJ-2FB1C105K	0805 capacitor
4	2	CAP, SMD, 1206, 1 μ F, 25V, 10%, X7R, ROHS	C5, C6	Panasonic	ECJ-3YB1E105K	1206 or 1210 capacitor
5	2	RES, SMD, 0603, 100k Ω , 1/10W, 1%, ROHS	R1, R2	Panasonic	ERJ-3EKF1003V	0603 resistor
6	1	CAP-TANTALUM, SMD, 100 μ F, 16V, 20%, ROHS	C1	KEMET	T491D107M016AS	
7	4	CON1	J1, J5, J7, J16	Keystone	5010	
8	3	CON1	J6, J8, J15	Keystone	5016	
9	1	CON2	J2	Molex	22-23-2021	
10	1	CON5	J13	Molex	22-23-2051	
11	1	JMP2	J10	Molex	22-28-4020	
12	2	JMP4	J3, J4	Molex	22-28-4040	
13	3	Shunt		AMP	382811-8	Only 3 needed per board
COMPONENTS SPECIFIC TO EACH BOARD VARIATION						
14	1	ISL9000A	U1	Intersil	ISL9000AIR_ <u>Z</u>	
15	1	Label	L1			
COMPONENTS OPTIONAL ON EACH BOARD						
16	2	SCOPE JACK	J11, J12	Tektronix	131-5031-00	Not populated
17	3	BANANA	B1, B2, B3	Keystone	7006	Not populated
18	2	BANANA	B4, B5	Keystone	7007	Not populated
19	1	JMP2	J9	Molex	22-28-4020	Not populated
20	1	CON6	J14	HRS	DF11-6DS-2DSA	Not populated
21	1	HEADER 8X2	JP1	Molex	10-88-1161	Not populated

Intersil Corporation reserves the right to make changes in circuit design, software and/or specifications at any time without notice. Accordingly, the reader is cautioned to verify that the Application Note or Technical Brief is current before proceeding.

For information regarding Intersil Corporation and its products, see www.intersil.com