

ISL94212EVKIT1Z

Evaluation Kit User Guide

UG048
Rev 0.00
August 26, 2015

Description

The ISL94212EVKIT1Z is a kit that facilitates use of the [ISL94212](#) BMS device. The ISL94212 monitors cell voltage and temperature. It converts the cell voltages and temperatures to 14-bit digital values, provides cell balance control, It provides significant fault detection. The ISL94212 can operate in a single device configuration, or multiple kits can be cascaded using a built-in daisy chain connection. The daisy chain hardware provides robust, redundant board-to-board communications.

Specifications

This board has been configured and optimized for the following operating conditions:

- $V_{BAT} = 6V$ to $60V$
- V_{BAT} daisy chain = $10V$ to $60V$
- VC_n (for $n = 1$ to 12) = $V(VC_{n-1}) + 5V$
- CB_n (for $n = 1$ to 9) = $V(VC_{n-1}) + 9V$
- CB_n (for $n = 10$ to 12) = $V(VC_n) - 9V$ to $V(VC_n)$
- External inputs $Ext_{1-4} = 0V$ to $2.5V$
- SPI communications refer to [ISL94212](#) datasheet
- $V_{POR} (V_{BAT})$ voltage (rising) typical $5.1V$

Key Features

- Supports both stand alone and daisy chained configurations
- Daisy chaining with both connector only or wire jumper options
- GUI provided export option for generation of detailed register and/or SPI communications log files.
- USB dongle runs HID firmware for driver-less enumeration and communications with Windows platforms
- GUI add-in chart generation tool supports real-time graphing, zoom and export of captured data.
- Software provides checksum requirements associated with daisy chain communications.
- Kit includes “Battery Emulation” board(s) for cell voltages generation.

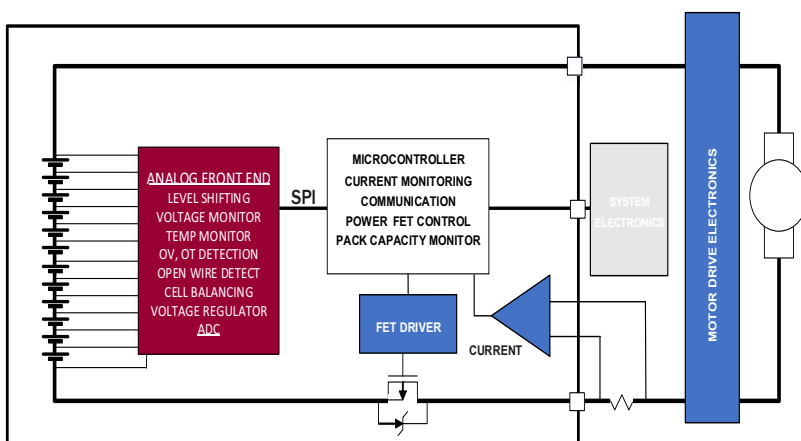
References

- [ISL94212](#) web page
- [ISL94212](#) datasheet

Ordering Information

PART NUMBER	DESCRIPTION (Note)
ISL94212EVKIT1Z	ISL94212 master
ISL94212EVZ	ISL94212 slave/daisy chain kit to be used as either “middle” or “top” device(s)

NOTE: See “What is inside” on [page 2](#) for kit details.



Applications requiring 12 cells or less can operate with a single device as shown above.

Also the ISL94212 can also operate in a 2 to 14 device configuration (Daisy Chain). See example to the right.

FIGURE 1. SINGLE DEVICE CONFIGURATION

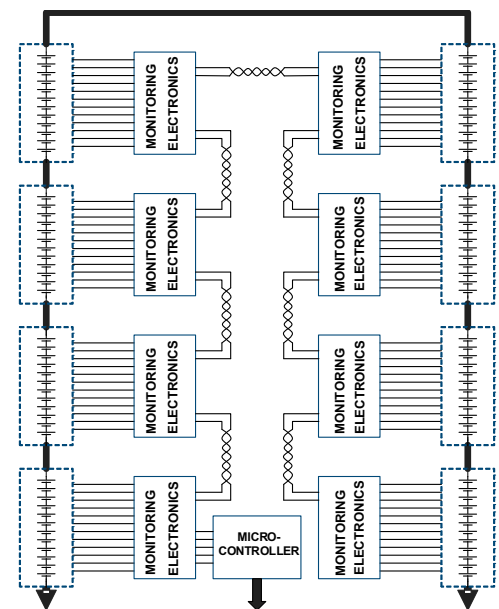


FIGURE 2. DAISY CHAIN CONFIGURATION

Document Overview

The following are three key portions of this document:

Software Installation

The software is necessary to use this evaluation kit. This section guides you through the installation and verification of both the GUI / Windows software and also the USB enumeration of the HID firmware/dongle device for PC to device(s) communication.

Quick Hardware Setup Guide

This section provides information regarding the connection of the various boards and the settings of the configuration options.

Quick GUI Setup Guide (Using the GUI)

The section steps the user through fundamental use of the GUI software. Enough information is provided to establish and verify communications are working properly and enable the user to observe measurements in real time and export data as well.

Functional Description

The ISL94212 evaluation Kit, coupled with the associated GUI provides the means to familiarize oneself with the various instructions capability and operation of the device. A single ISL94212 Li-ion battery manager IC supervises up to 12 series connected cells. The part provides accurate monitoring, cell balancing and extensive system diagnostics functions.

The kit enables the user to activate and data log voltage and temperature measurements. Cell voltages are supplied via a resistor ladder network in the MCB_PS2_Z multi-cell power supply test board.

The ISL94212 has three cell balancing modes incorporated: Manual Balance mode, Timed Balance mode and Auto Balance mode. The auto balance mode terminates balancing functions when a charge transfer value specified by the host microcontroller has been met. Note: Cell balancing will require the removal of the MCB_PS2_Z multicell power supply test board and attachment of Cell devices that are capable of sourcing and sinking current.

The ISL94212 communicates to a host microcontroller via an SPI interface and to other ISL94212 devices using a robust, two-wire daisy chain system. The primary evaluation board provides configuration options that can be set via switches. These are discussed in detail later in this document.

Connecting multiple Intersil boards allows the user to setup communications and measurement capability of many packs and up to 185 battery cells. However, one should review the ["Quick Hardware Setup Guide" on page 3](#). There will be safety concerns as voltage levels increase with multiple packs.

What is inside

The ISL94212EVKIT1Z (Master) evaluation kit contains:

- ISL94212EV1Z evaluation board
- MCB_PS2_Z multicell power supply test board
- MCB_MICRO_EVZ multicell power supply test board
- USB cable, connects PC to evaluation board
- 16 conductor flat cable (connects power supply board to evaluation board)

- One daisy chain cable

The ISL94212EV1Z (Slave(s)) evaluation kit contains:

- ISL94212EV1Z evaluation board
- MCB_PS2_Z multicell power supply test board
- 16 conductor flat cable (connects power supply board to evaluation board)
- One daisy chain cable

What is needed

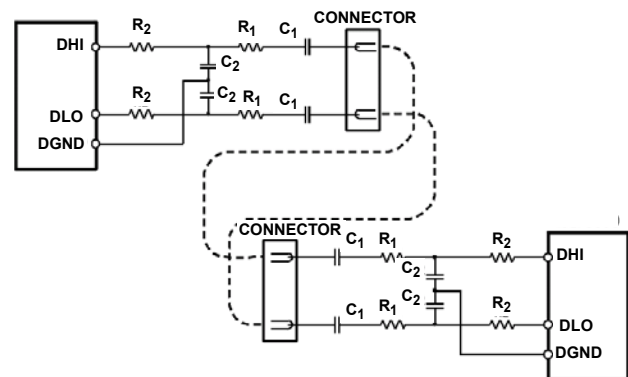
The following instruments will be needed to perform testing:

- 60V/1A adjustable power supply
- Wires to connect power supply to MCB_PS2_Z board
- Precision multimeter
- Oscilloscope (optional)
- Cables and wires (Optional)
- Windows computer with USB port

Operating Range

Single device setup (non-daisy chain) mode can operate with a battery voltage of 6V to 60V. When using less than 12 cells, the user should consult the datasheet regarding cell connections.

However, caution should be employed during daisy chain operation. In this mode, up to 14 boards can be connected. While each board is operating on a relative voltage of up to 60V, this "floating" is accomplished via the AC coupling of the daisy chain circuits. (see below)



As mentioned in the [“Quick Hardware Setup Guide” on page 3](#), while each board is operation in 60V range, total voltage across multiple packs can be dangerous.

PCB Layout Guidelines

The ISL94212 layout has been optimized for electrical and protection during hot plug conditions.

During layout the designer should consider:

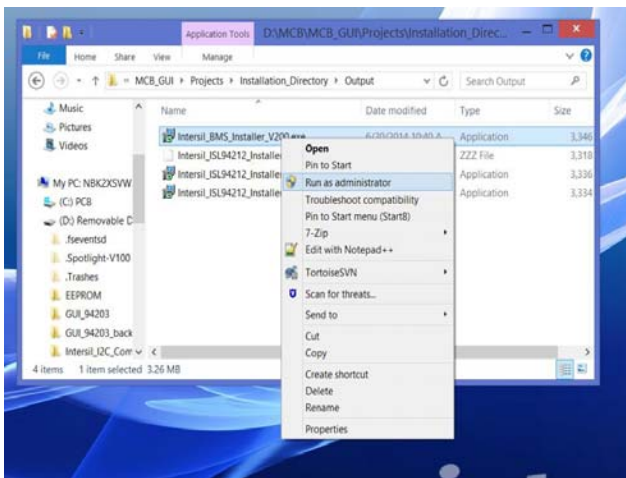
- While the ISL94212 does not dissipate much power itself, the internal temperature sensor might be more functional if a thermal array is incorporated under the QFN thermal slug. The user is invited to review Intersil’s Technical Brief [TB389](#) regarding the thermal vias and the package pad.
- The user should review closely the artwork, component values and routing of the daisy chain circuitry.
- The standard evaluation board accommodates both connector-to-connector or cabled communication paths. If multiple devices are being used, physical placement/size of the cells should be reviewed in starting you product’s layout.
- Finally, the mechanical aspects of the battery pack should be considered. Much as been written regarding damaged BMS PCBs as a result of slight shifting of battery cells. (Cells tend to be heavy and therefore can impart significant force)

Software Installation

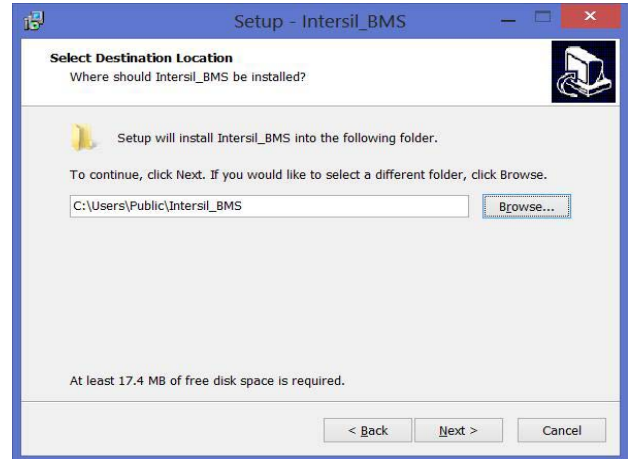
This version of software supports both ISL94212 or ISL78600 devices. It has been tested on XP, Win7 and Win8 platforms.

Step 1: Run the *Intersil_BMS_Vxxx.exe* file. This installs the BMS GUI software to the PC. Depending on your IT department there are a couple of items to address when performing an installation.

Select “Run As Administrator” option when available (Right click in installation program)



When setting up project installation and shortcut paths, consider using Users\Public instead of program directory.

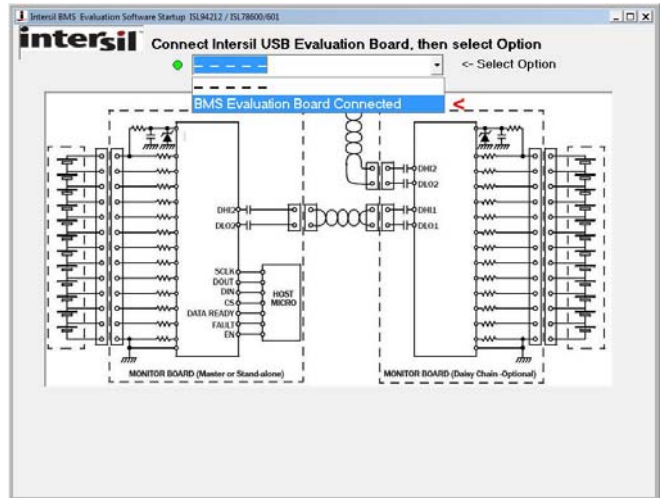


Step 2: Connecting the evaluation board will result in automatic USB enumeration under the Human Interface section of the Windows device manager.

Quick Hardware Setup Guide

Single Board

Step 1: A “Startup” screen in the GUI (will wait for you to select the combo box. Complete steps below.)



Step 2: Connect the MCB_MICRO_EVZ board (J1) to the ISL94212EVZ board (J2). (See [Figure 3](#))

Step 3: Set the power supply voltage to 39.6V (**3.3V per cell**). If there are fewer cells being tested, reduce the power supply voltage such that it equals 3.3V times the number of cells.)

Step 4: Connect the power supply to the MCB_PS2_Z board. The positive terminal of the MCB_PS2_Z board is J5/J11 and the negative terminal is J8/J12. Connector J7 can also be used to provide power to the board. The J7 tip is positive and the ring is negative. Check that the voltages on the J3 connector of the board are +3.3V from PIN(n) to Pin(n-1).

- Step 5: Turn off the power to the power supply.
- Step 6: Connect the flat cable between the MCB_PS2_Z board, connector J1 and the ISL94212EVZ board, connector J1.
- Step 7: Check the jumpers and switches on the board. Since this is a single board configuration, the board should be configured as follows:
- SPI/daisy switch set to SPI.
 - EN0 and ENR should contain jumpers.
 - LEDEN should contain a jumper.
 - CMSSel1 (left) and CMSSel2 (right) switches both set to "0". This sets single board operation.
 - CMRSe1 (left) and CMRSe0 (right) should have jumpers to "1". These set the daisy chain speed and are not used in the single board operation, but it is OK to leave the jumpers in place.

- Step 8: Turn on the power to the supply and notice that there is a green LED (VDD), indicating the LDO regulator on the ISL94212 is operating.

The voltages at various points should be:

- VDD = 3.3V ±3%
- VCC = ~3.3V ±5%(a little lower than VDD)
- V2P5 = 2.5V ±2%
- VREF = 2.50V ± 0.5%

- Step 9: Connect the USB port of the PC to the USB port of the MCB_MICRO_EVZ board.

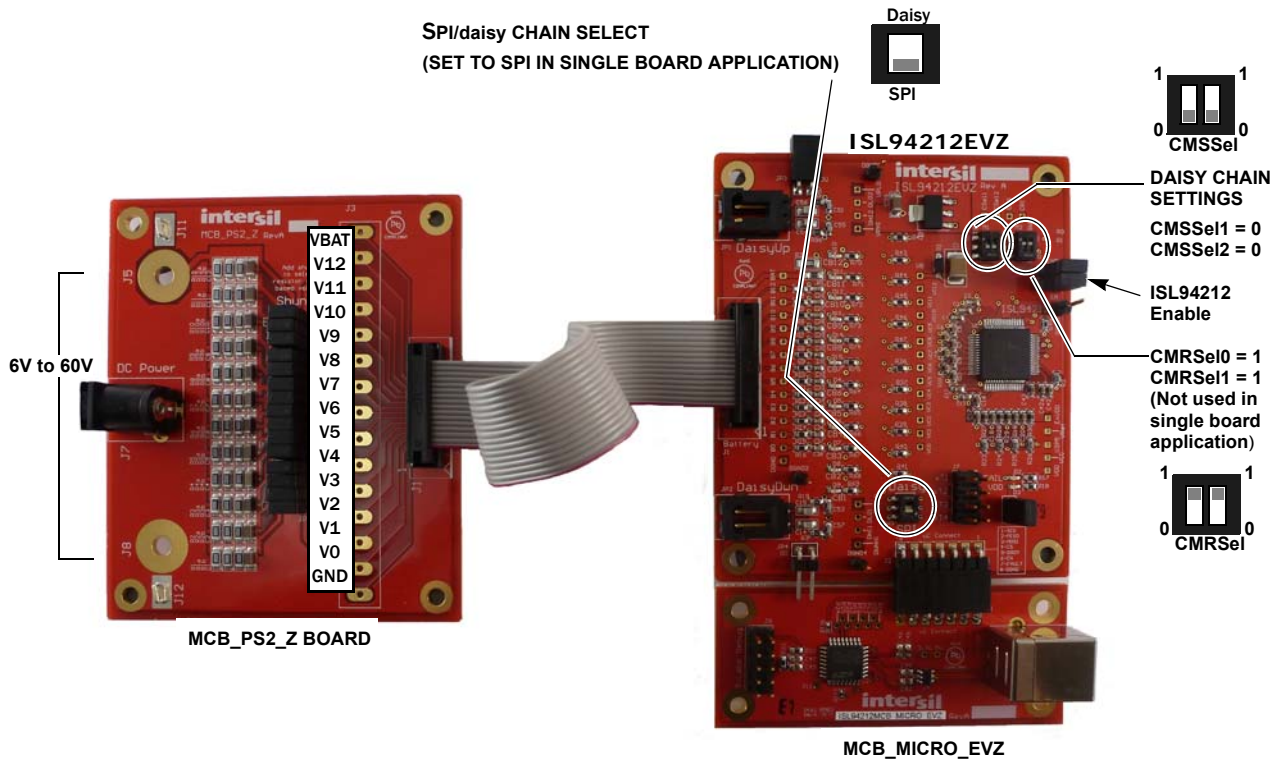


FIGURE 3. ISL94212EVKIT1Z SINGLE BOARD SETUP

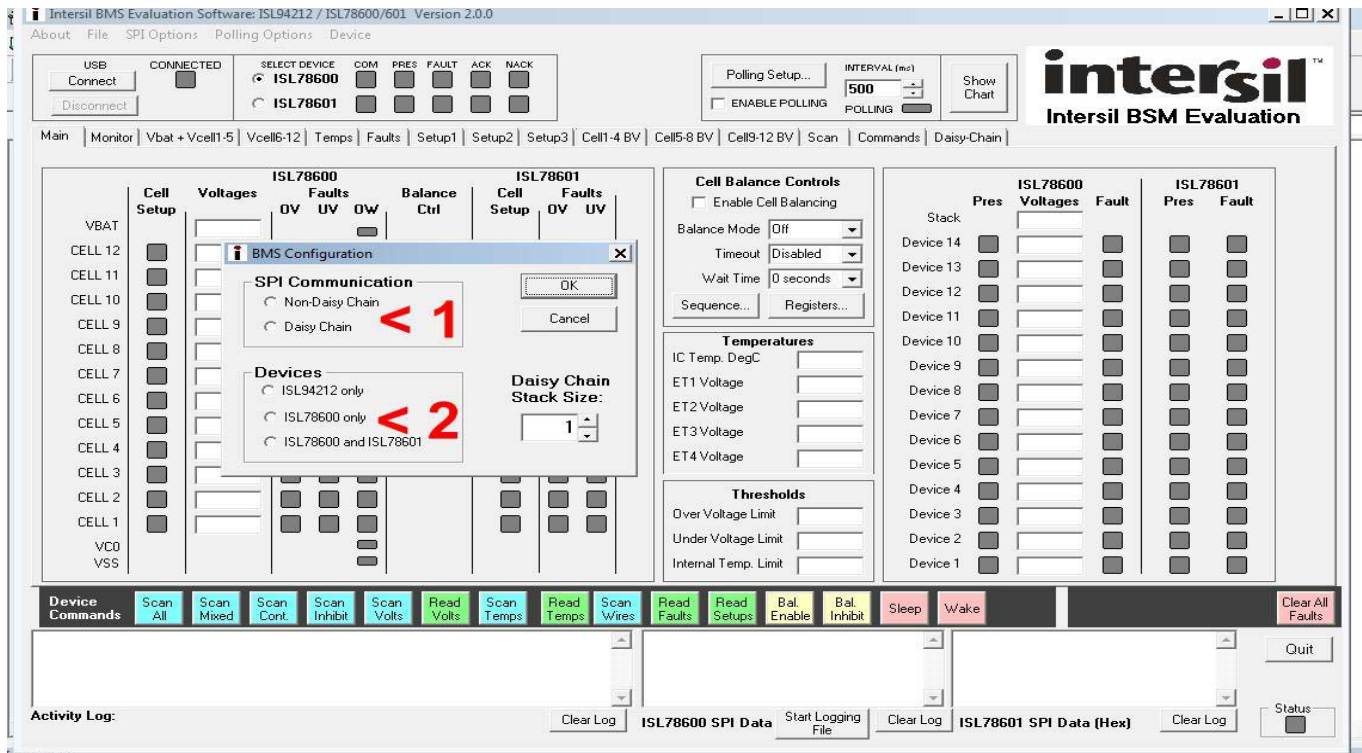


FIGURE 4. ISL94212EVZ

Step 10: Open the ISL94212 GUI software, select the “BMS Evaluation Board Connected” in the “Select Option” box as seen in step one. The software will automatically take you to the Configuration Screen. Select “non-daisy chain” and device type, then click “OK.” GUI will return to the main screen. Use the software to read the cell voltages and registers

Daisy Chain

Step 1: To Connect all boards, complete steps below. Specify “daisy” chain when configuration screen appears.



- Step 2: Connect the MCB_MICRO_EVZ board (J1) to the Master ISL94212EVZ board (J2). (See Figure 5)
- Step 3: Set the power supply voltage to 39.6V (3.3V per cell). If there are fewer cells being tested, reduce the power supply voltage such that it equals 3.3V times the number of cells.)
- Step 4: Connect the power supply to all MCB_PS2_Z boards in parallel. There should be one MCB_PS2_Z board for every evaluation board. This connection is not typical of

a battery installation, where the ground of one board is the VBAT of another, but it easily facilitates testing of the communication and allows a safer environment for initial testing.

The positive terminal of the MCB_PS2_Z board is J5/J11 and the negative terminal is J8/J12. Connector J7 can also be used to provide power to the board. The J7 tip is positive and the ring is negative. Check that the voltages on the J3 connector of all boards are +3.3V from PIN(n) to Pin(n-1).



USE CAUTION when connecting the MCB_PS2_Z boards in series, since voltages quickly reach hazardous levels. **BE CAREFUL!**

- Step 5: Turn off the power to the power supply.
- Step 6: Connect the flat cable between each MCB_PS2_Z board, connector J1 and an ISL94212EVZ board, connector J1.

Step 7: Check the jumpers and switches on the board. Since this is a daisy chain configuration, the boards should be configured as follows:

- SPI/Daisy switch set to SPI on the master. For all other boards, this switch should be set to Daisy.
- EN0 and ENR should contain jumpers.
- LEDEN should contain a jumper.
- CMS1 and CMS2 should have switches set as follows:

TABLE 1. DAISY CHAIN COMMUNICATIONS DATA RATE SELECTION

COMMS RATE 0	COMMS RATE 1	DATA RATE (kHz)
0	0	62
0	1	125
1	0	250
1	1	500

This sets daisy chain operation and locates the boards within the daisy chain.

- CMRSel1 and CMRSel0 should have jumpers set to 1. These set the daisy chain speed at the maximum 500kHz.

Step 8: Connect the daisy chain wires.

The boards can plug together to complete the daisy chain connections, or the enclosed twisted pair cable can connect the boards. Connect as shown in [Table 2](#). See also the 36-cell daisy chain connection [Figure 5 on page 7](#). For a 24-cell connection, drop out the Middle board.

TABLE 2. COMMUNICATIONS MODE CONTROL

COMMS SELECT 1	COMMS SELECT 2	PORT 1 COMM	PORT 2 COMM	COMMUNICATIONS CONFIGURATION
0	0	SPI (Full Duplex)	Disabled	Standalone
0	1	SPI (Half Duplex)	Enabled	Daisy Chain, Master device setting
1	0	Daisy Chain	Disabled	Daisy Chain, Top device setting
1	1	Daisy Chain	Enabled	Daisy Chain Middle device setting

Step 9: Turn on the power to the supply and notice that there is a green LED (VDD) on each board, indicating the LDO regulators on the ISL94212 are operating.

The voltages at various points should be:

$$VDD = 3.3V \pm 3\%$$

$$VCC = \sim 3.3V \pm 5\% \text{ (a little lower than VDD)}$$

$$V2P5 = 2.5V \pm 2\%$$

$$VREF = 2.50V \pm 0.5\%$$



If boards are connected in series, be aware of the voltage potentials between the different boards when measuring and monitoring signals with a meter or a scope.

Step 10: Connect the USB port of the PC to the USB port of the ISL94212EVZ daisy chain master board.

Step 11: Open the ISL94212 GUI software. Select **Daisy Chain Mode** in the Device Menu at the top left of the screen. **Click Connect**. Use the software to read the cell voltages and other register content.

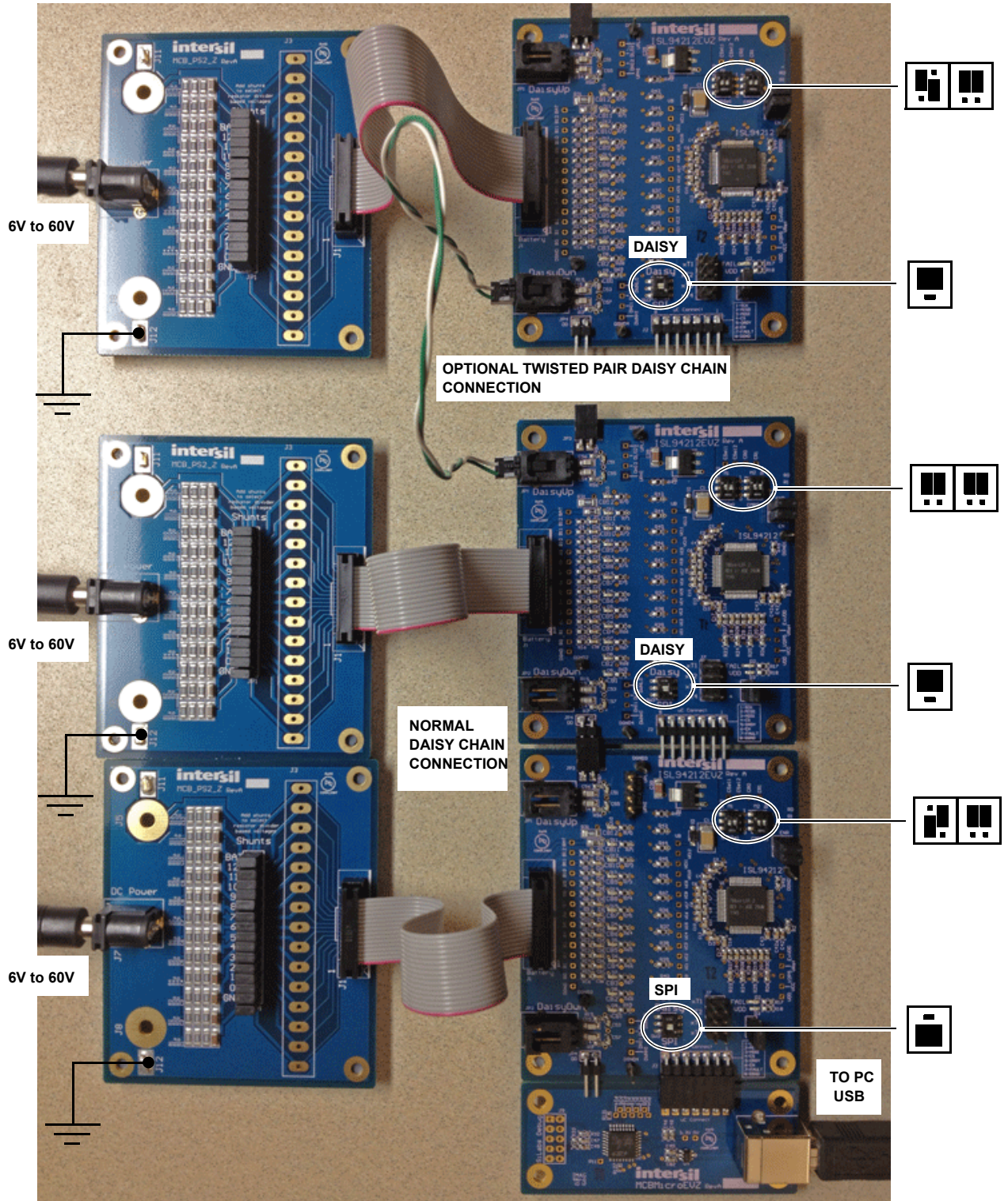


FIGURE 5. ISL94212EVZ IN 36-CELL DAISY CHAIN CONFIGURATION (SHOWN 1 ISL94212EVKIT1Z (MASTER) AND 2 ISL94212EV1Z (SLAVES))

Quick GUI Setup Guide (Using the GUI)

- Step 1: Once the board is powered up and connected to the PC through the USB cable, start the GUI program.
- Step 2: Choose the communication mode (stand-alone or daisy chain). If the GUI is already running, select the operating mode in the device menu (upper left of the screen.)
- Step 3: The GUI program identifies the devices connected, either in a single board, or a daisy chain configuration, (See [Figure 6](#)). NOTE: [Figure 5 on page 7](#) shows the daisy chain configuration.

In a daisy chain configuration, the top bar provides an indication of the boards connected and allows selection of any ISL94212EVZ board for monitoring and control. Select the specific device in the daisy chain. Device 15 selects all devices. Device 0 selects devices that are not yet identified. For a single board, these boxes are not shown.

- Step 4: Use the various tabs and buttons to monitor and control the operation of the device.

- Step 5: The “Device Commands” buttons along the bottom of the main tab are commands sent to all boards in the system. So, selecting “Scan Volts” then “Read Volts” causes all boards to read the cell voltages, temperatures and update the ISL94212 register values and the GUI display boxes. (Note: these buttons send separate commands to each board. It does not send a “Scan All” or “Read All” command.)
- Step 6: At the bottom of the screen there are activity logs showing the USB communications and the SPI communications to the master board.
- Step 7: To clear fault indications, the fault first needs to be cleared. When the fault is no longer active, do a “Read Faults” command, then read the Faults register and click on each individual bit to change the setting (or write 0 to the register value). Then click on Write to send the value to the device. Using the “Read Group or Write Group” button sends commands to all registers on the page.
- Step 8: Use the “Show Chart” button to view various voltages and status in real time (See [Figure 7](#)).

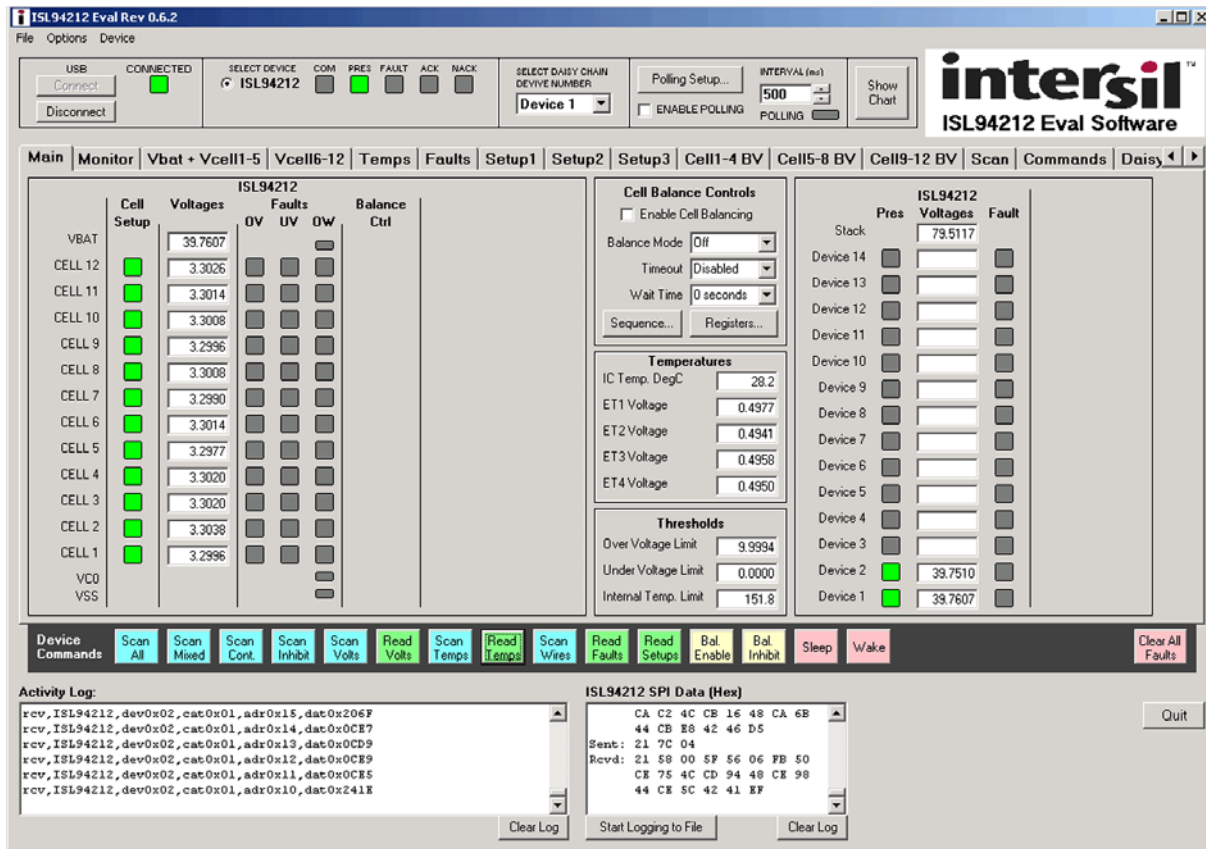


FIGURE 6. MAIN GUI WINDOW - TWO CASCADED DEVICES

Chart Window

The charting function of the GUI provides real time viewing of the critical voltages in the battery pack. The chart updates results as long as the GUI is polling. If the GUI stops polling (or there is a communication interruption) the chart maintains the last valid value.

At the end of a sample period, the captured data can be exported to a file that can be loaded into Excel for further analysis by clicking on the “Export” button.

Using the controls at the left of the screen, various charts can be turned off and the specific cells being monitored can be chosen. At this time, the cell voltages of only two packs can be monitored on one screen and only the temperatures of board 1 can be monitored.

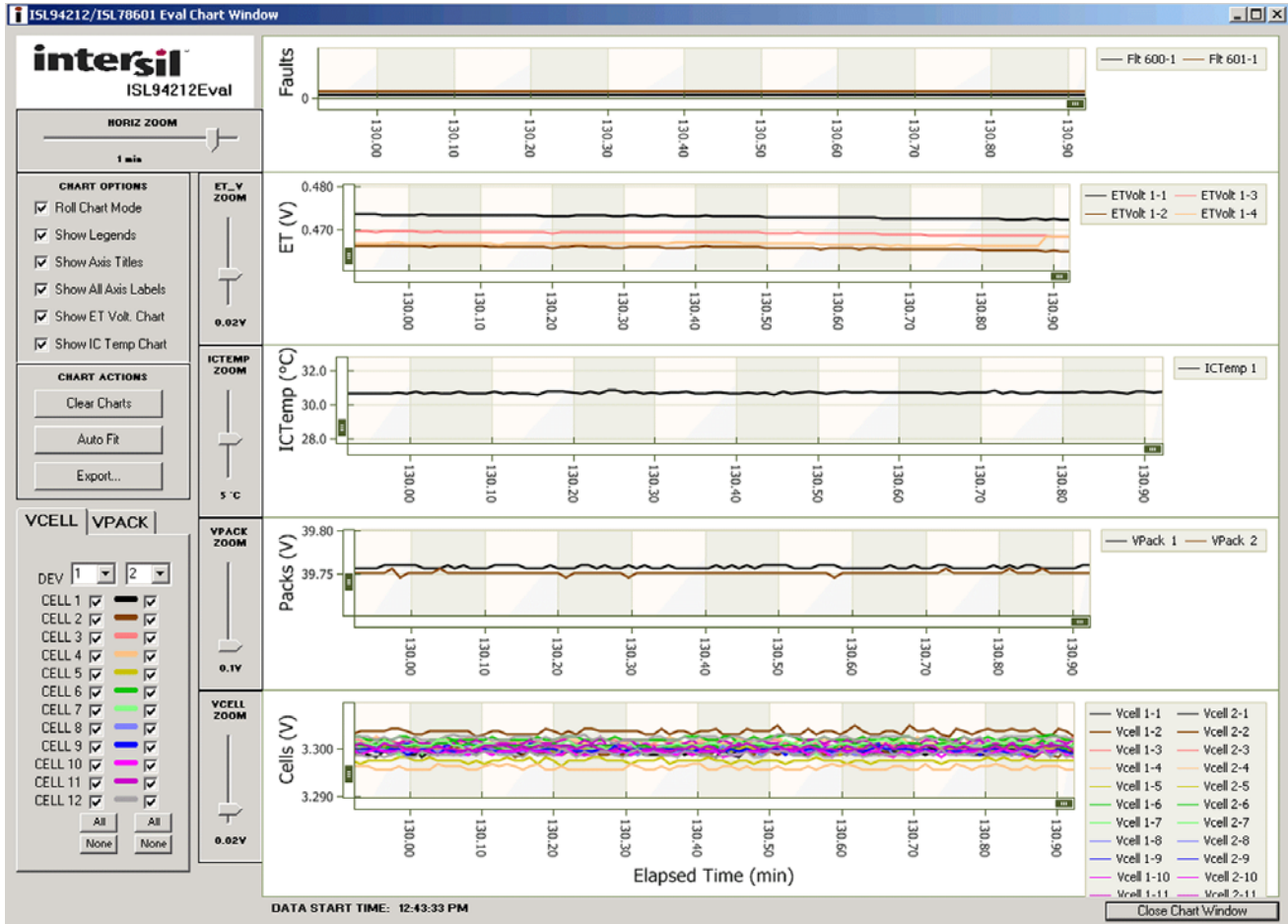


FIGURE 7. CHART WINDOW

Monitor Tab

The monitor tab shows the voltages and status of the first 4 boards in the daisy chain. (See [Figure 8](#))

At this time, it is not possible to select the results for any other boards in the stack. Individual boards can be monitored in the main window, one board at a time.

If there are more than 4 boards, only boards 1 through 4 are shown in this tab.

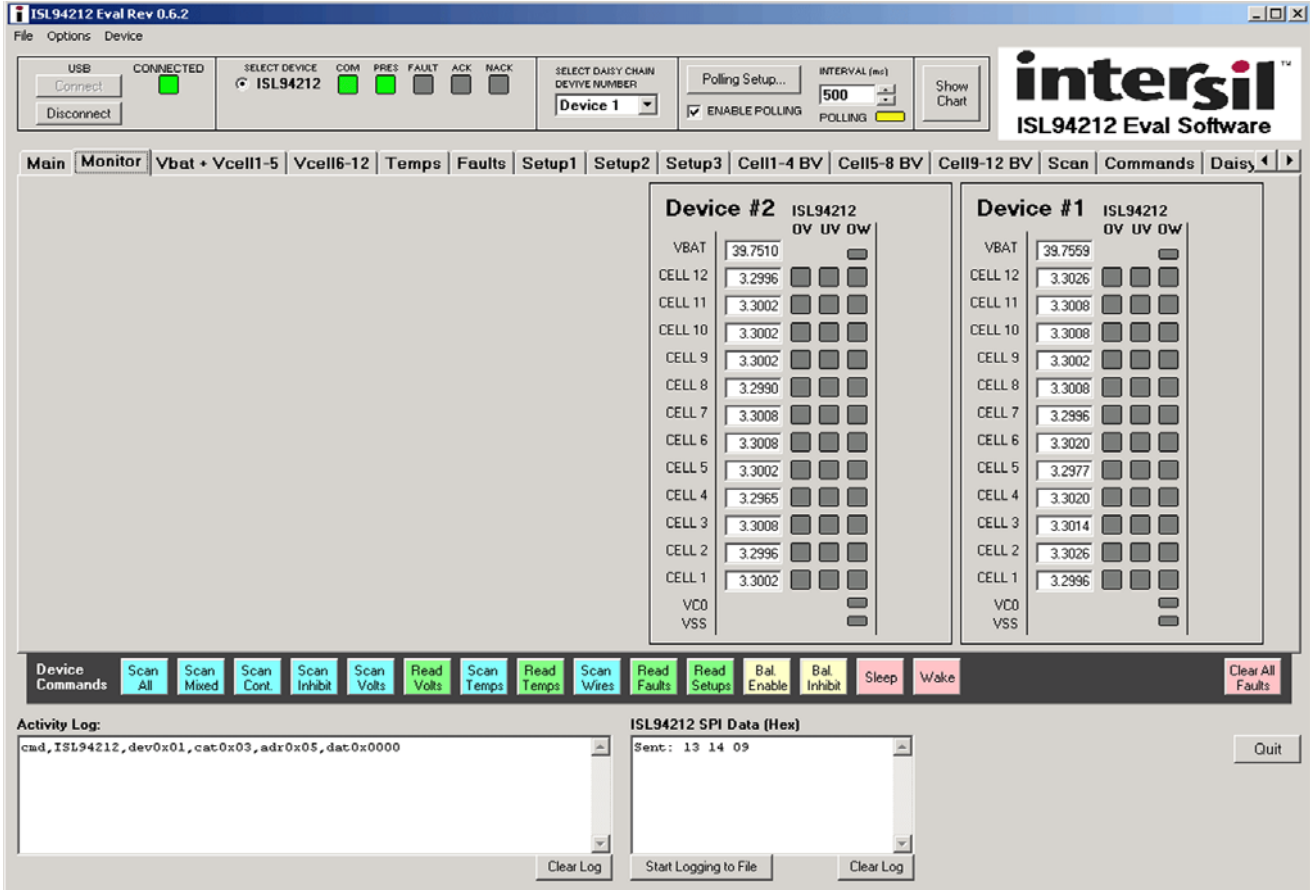


FIGURE 8. MONITOR TAB

Fault Tab

The fault tab shows the status of the fault register of the selected device (See [Figure 9](#)). To update the display, click on the individual “Read” buttons at the end of each fault register, or click on the “Read Group” button on the device command line (toward the bottom of the window) to read all registers in the Tab.

To clear a bit, click on the bit that is set (or write a 0 in the box at the right to reset all bits.) Then, click on the “Write” button at the end of each fault register, or click on the “Write Group” button on the device command line to write to all of the registers in the Tab.

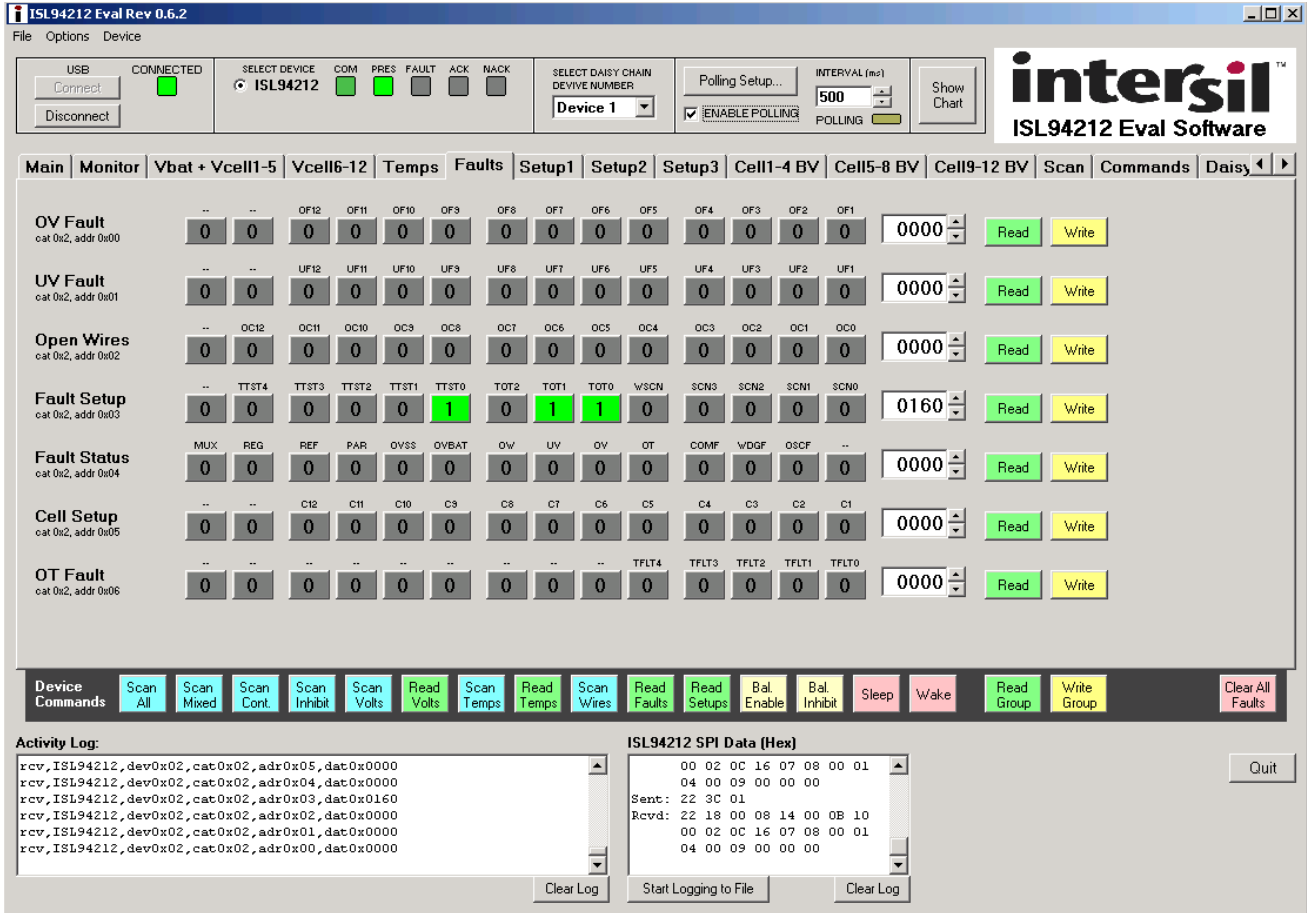


FIGURE 9. FAULT REGISTERS

Command Tab

The command tab allows individual commands to be sent to any device in the stack (or all devices, if device 15 is chosen.) This tab includes a raw message sender and CRC4 calculator. By entering in the device address, data type, data address and data, the GUI calculates the CRC4 value and shows the resulting encoded

command. This command can then be sent to the chosen device. The image in [Figure 10](#) shows the command for SLEEP.

NOTE: This screen shows a selection for ISL78600 and ISL78601. This is an error in the 0.6.2 release of the software. For the ISL94212, use the selection for the ISL78600. The selection for ISL78601 has no function.

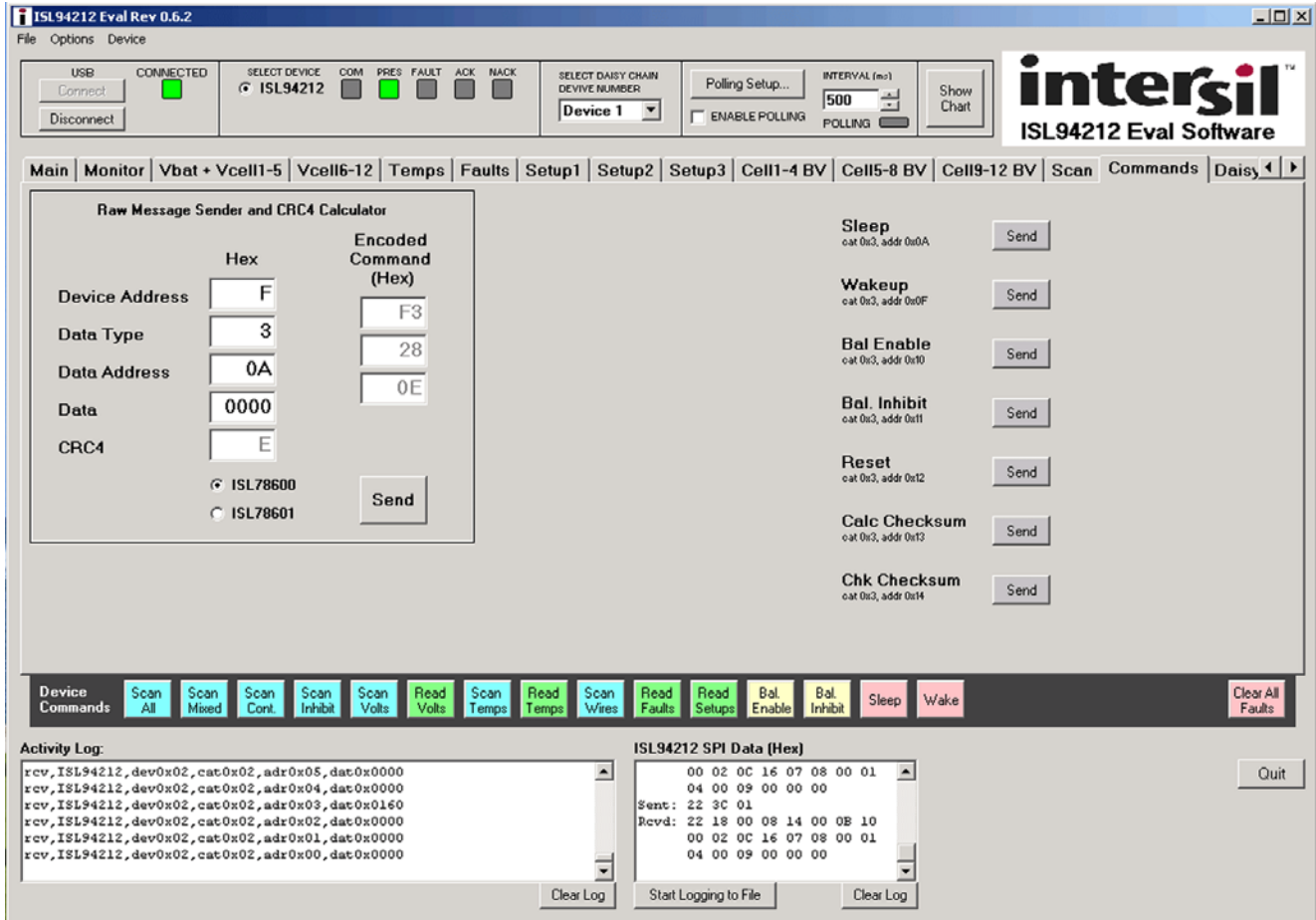


FIGURE 10. COMMANDS

ISL94212 Evaluation Board

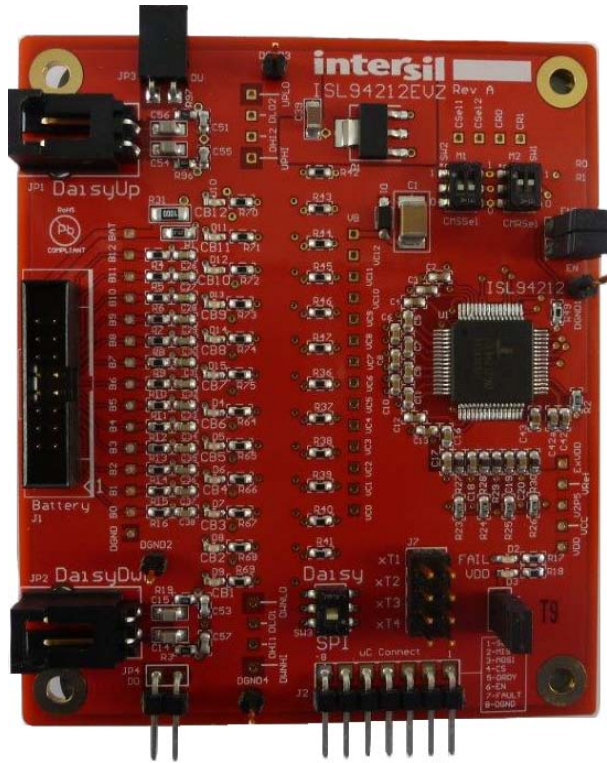


FIGURE 11. TOP SIDE

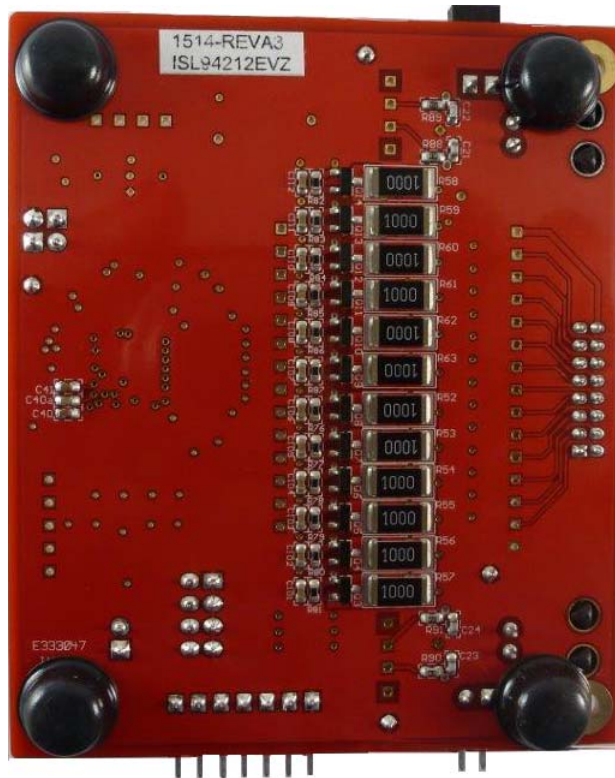


FIGURE 12. BOTTOM SIDE

Schematic

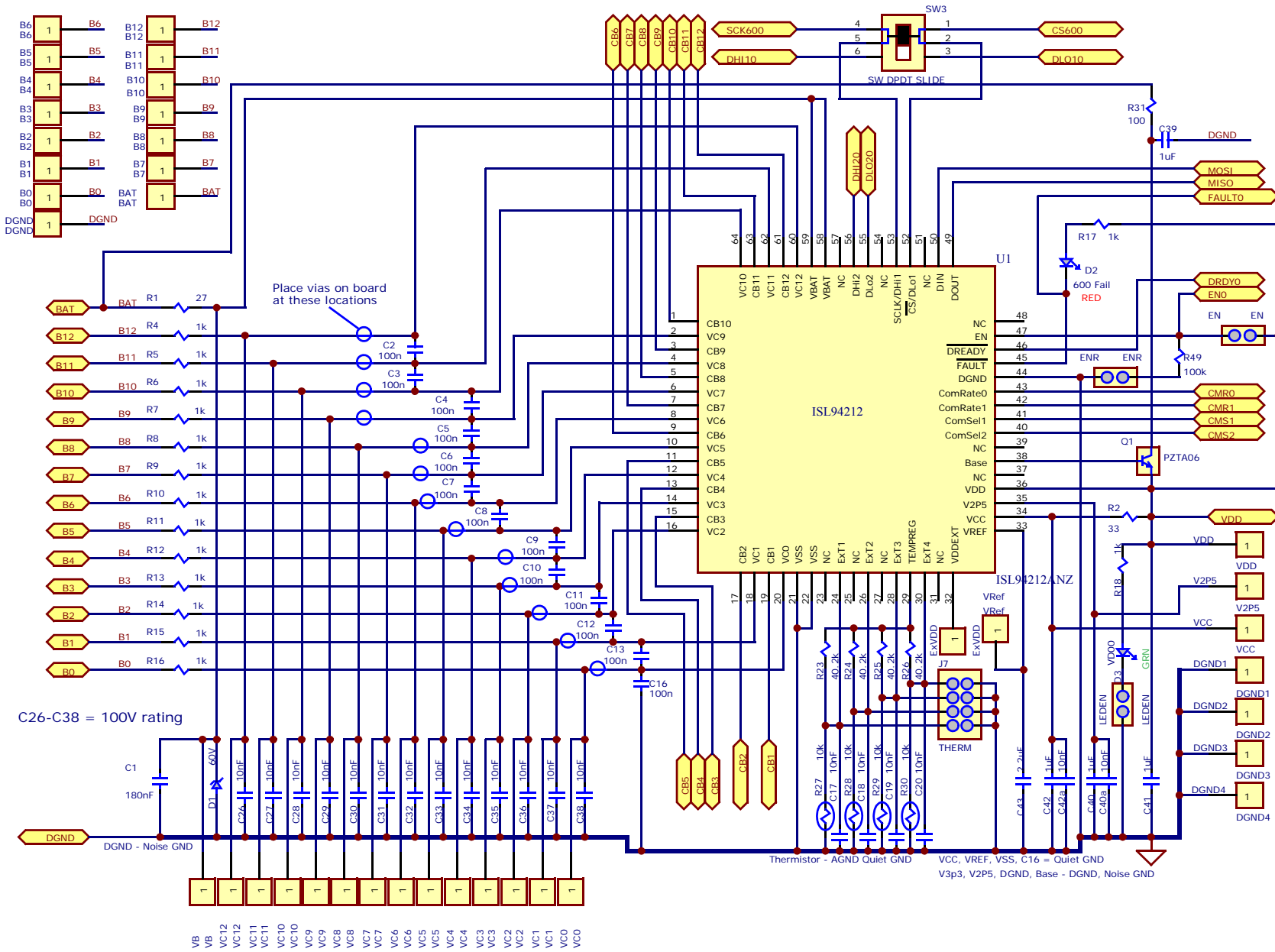


FIGURE 13. ISL94212EVZ EVALUATION BOARD SCHEMATIC

Schematic (Continued)

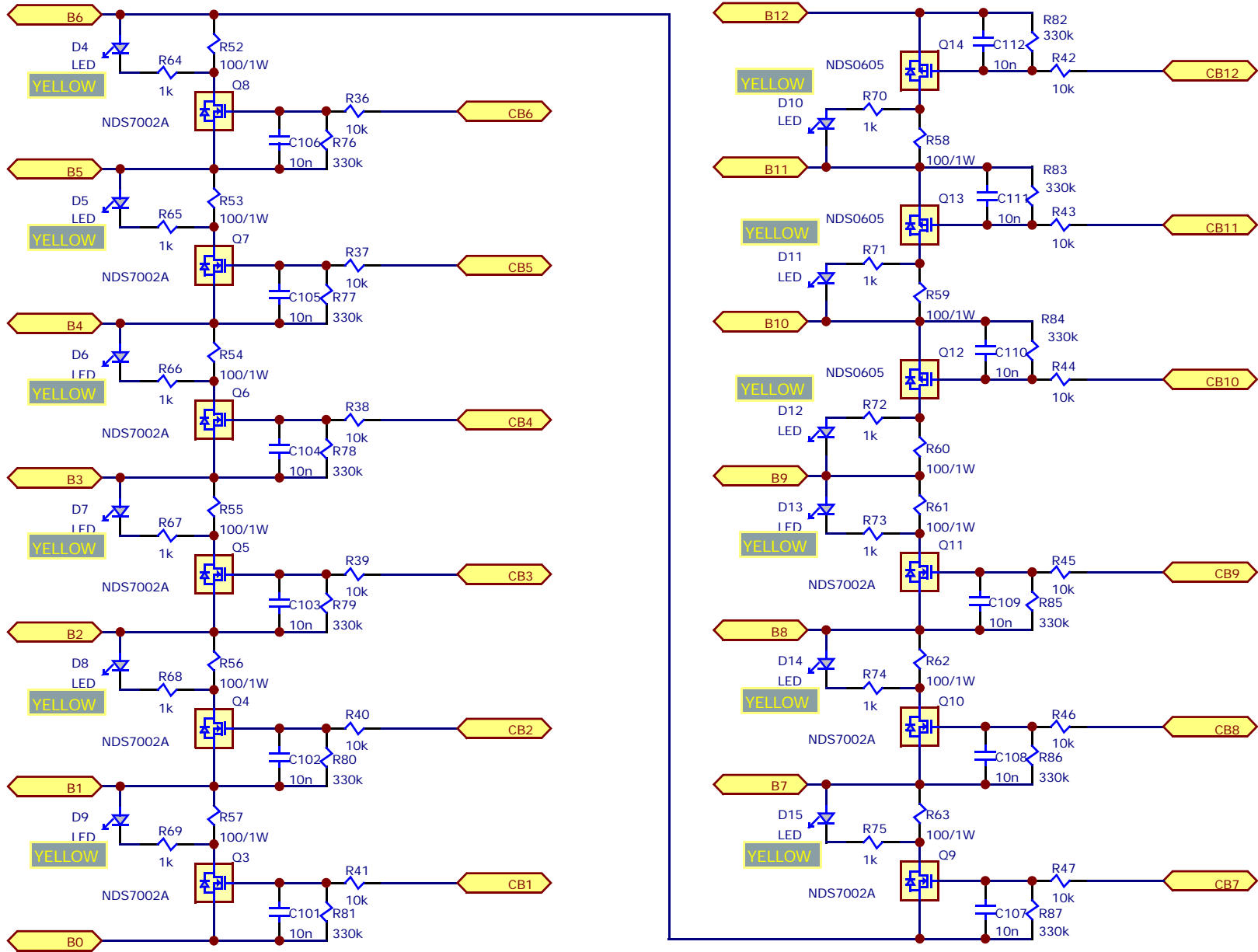
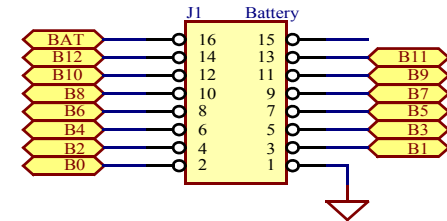
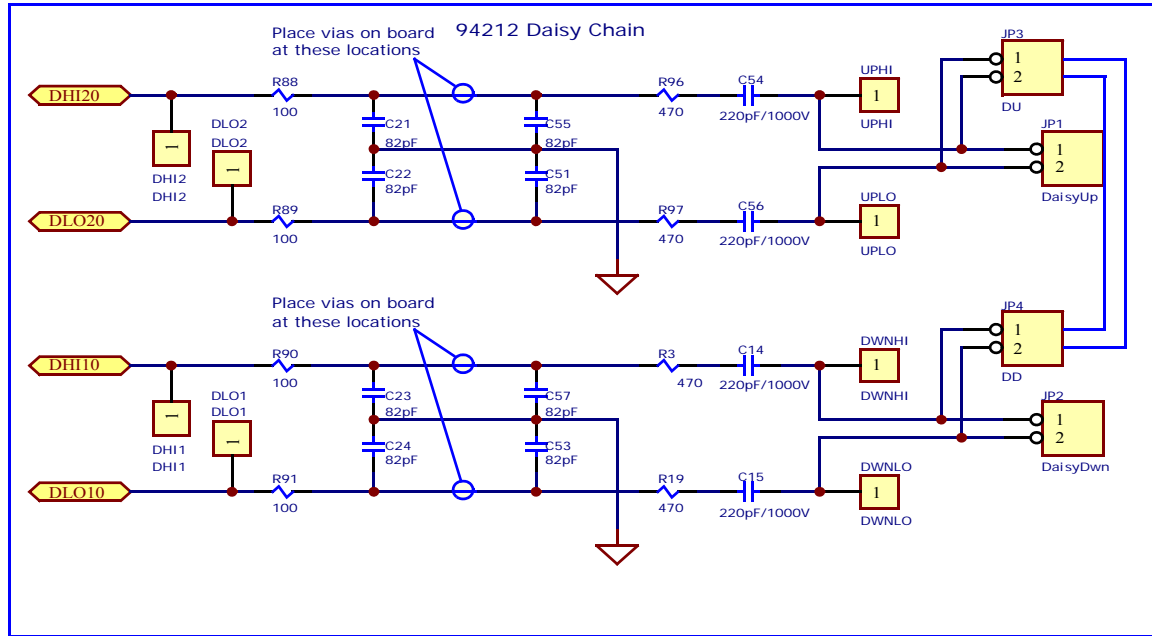


FIGURE 14. ISL94212EVZ EVALUATION BOARD SCHEMATIC

Schematic (Continued)



Add jumpers to JP5 to communicate through the USB port and on-board μ C. Remove jumpers and use even numbered pins to communicate to ISL78600/601 via external μ C.

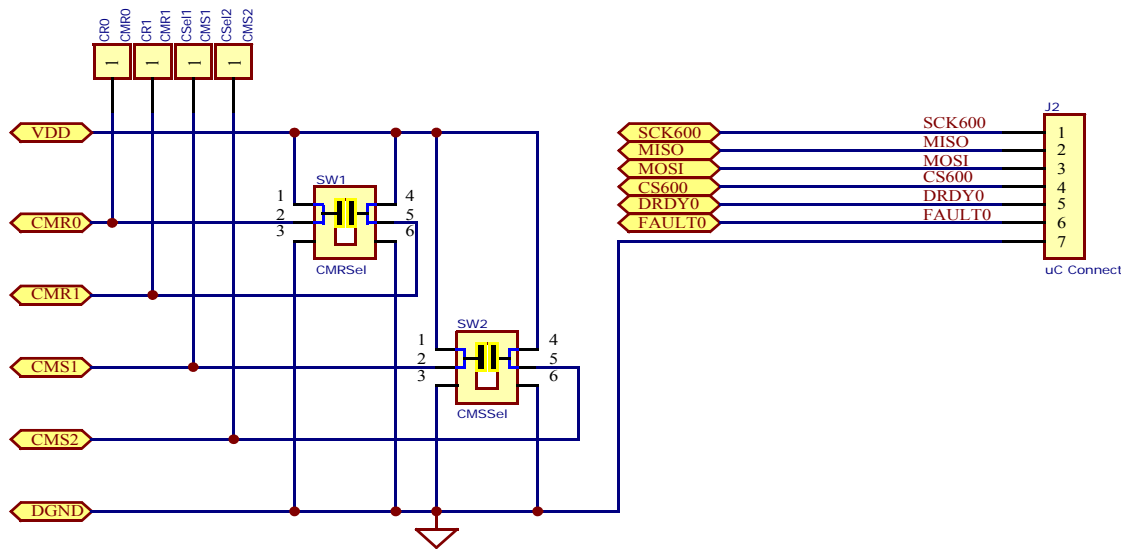


FIGURE 15. ISL94212EVZ EVALUATION BOARD SCHEMATIC

Bill of Materials

QTY	REFERENCE DESIGNATOR	DESCRIPTION	MANUFACTURER	MANUFACTURER PART
1	C1	CAP, SMD, 1812, 0.18 μ F, 100V, 10%, X7R, ROHS	MURATA	GRM43RR72A184KA01L
4	C14, C15, C54, C56	CAP, SMD, 0805, 220pF, 1kV, 5%, COG, ROHS	VISHAY/VITRAMON	VJ0805A221JXGAT5Z
18	C17-C20, C40a, C42a, C101-C112	CAP, SMD, 0603, 0.01 μ F, 16V, 1 0%, X7R, ROHS	VENKEL	C0603X7R160-103KNE
13	C2-C13, C16	CAP, SMD, 0603, 0.1 μ F, 16V, 10%, X7R, ROHS	MURATA	GRM39X7R104K016AD
8	C21-C24, C51, C53, C55, C57	CAP, SMD, 0603, 82pF, 100V, 5%, COG, ROHS	MURATA	GRM1885C2A820JA01D
13	C26-C38	CAP, SMD, 0603, 0.01 μ F, 100V, 5%, X7R, ROHS	KEMET	C0603C103J1RACTU
1	C39	CAP, SMD, 1206, 1 μ F, 100V, 10%, X7R, ROHS	VENKEL	C1206X7R101-105KNE
3	C40, C41, C42	CAP, SMD, 0603, 1.0 μ F, 10V, 10%, X7R, ROHS	AVX	0603ZC105KAT2A
1	C43	CAP, SMD, 0603, 2.2 μ F, 10V, 10%, X7R, ROHS	MURATA	GRM188R71A225KE15D
2	CABLE ASSY	CONN SOCKET IDC 16POS W/KEY GOLD, ROHS	ASSMAN	SFH41-PPPB-D08-ID-BK
6	CABLE ASSY	CABLE-FLAT RIBBON, 16CIRCUIT, 28AWG STRANDED, 300V, ROHS	ASSMANN	AWG28-16/G-1/300-R
1	D1	DIODE-ZENER, SMD, 2P, SOD-123, 60V, 500mW, 2.1mA, ROHS	ON SEMICONDUCTOR	MMSZ5264BT1G
1	D2	LED-SMART, SMD, 0603, 2P, RED, 1.8V, 2mA, 630nm, 4.5mcd, ROHS	OSRAM	LSL29K-G1J2-1-0-2-R18-Z
1	D3	LED-SMART, SMD, 0603, GREEN, 1.7V, 2mA, 570nm, 3.9mcd, ROHS	OSRAM	LGL29K-G2J1-24-Z
12	D4-D15	LED-SMART, SMD, 0603, YELLOW, 1.8V, 2mA, 587nm, 7.9mcd, ROHS	OSRAM	LY L29K-J1K2-26-Z
4	DGND1-DGND4	CONN-HEADER, 1x1, BREAKAWAY 1X36, 2.54mm, ROHS	BERG/FCI	68000-236HLF
3	EN, ENR, LEDEN	CONN-HEADER, 1x2, BREAKAWAY 1X36, 2.54mm, ROHS	BERG/FCI	68000-236HLF
3	EN, ENR, LEDEN	CONN-JUMPER, SHORTING, 2PIN, BLACK, GOLD, ROHS	SULLINS	SPC02SYAN
1	J1	CONN HEADER LO-PRO 2MM 16PS VERT ROHS	ASSMAN	AWHW2-16G-0202-T-R
1	J2	CONN-HEADER, 1X7, BRKAWY-1X36, R/A, 2.54mm, ROHS	FCI/BERG	68015-436HLF
1	J7	CONN-HEADER, 2X4, BRKAWY-2X36, 2.54mm, ROHS	BERG/FCI	67996-272HLF
2	JP1-JP2	CONN-HEADER, SHROUDED, TH, 2POS, 2.54mm, R/A, ROHS	MOLEX	70555-0036
1	JP3	CONN-RECEPTACLE, TH, 1X2, 2.54mm, R/A, TIN, ROHS	SULLINS	PPTC021LGBN-RC
1	JP4	CONN-HEADER, 1X2, BRKAWY-1X36, R/A, 2.54mm, ROHS	FCI/BERG	68015-436HLF
1	Q1	TRANSISTOR, NPN, 4P, SOT-223, 80V, 1A, 1W, ROHS	DIODES, INC.	DCP56-16-13
3	Q12, Q13, Q14	TRANSISTOR, P-CHANNEL, SMD, SOT23, -60V, -180mA, ROHS	FAIRCHILD	NDS0605
9	Q3-Q11	TRANSISTOR-MOS, N-CHANNEL, SMD, SOT23, 60V, 280mA, ROHS	FAIRCHILD	NDS7002A
1	R1	RES, SMD, 0805, 27 Ω , 1/8W, 1%,TF, ROHS	PANASONIC	ERJ-6ENF27R0V
1	R2	RES, SMD, 0603, 33 Ω , 1/10W, 1%, TF, ROHS	VENKEL	CR0603-10W-33R0FT

Bill of Materials (Continued)

QTY	REFERENCE DESIGNATOR	DESCRIPTION	MANUFACTURER	MANUFACTURER PART
4	R23-R26	RES, SMD, 0603, 40.2k, 1/10W, 1%, TF, ROHS	YAGEO	RC0603FR-0740K2L
4	R27-R30	THERMISTOR-NTC, SMD, 0603, 10k, 1%, - 40 +125 °C, ROHS	MURATA	NCP18XH103F03RB
4	R3, R19, R96, R97	RES, SMD, 0603, 470Ω, 1/10W, 1%, TF, ROHS	ROHM	MCR03EZPF4700
1	R31	RES, SMD, 1206, 100Ω, 1/4W, 1%, TF, ROHS	STACKPOLE	RMC1/8 100R 1% T/R
12	R36-R47	RES, SMD, 0603, 10k, 1/10W, 1%, TF, ROHS	KOA	RK73H1JT1002F
27	R4-R18, R64-R75	RES, SMD, 0603, 1k, 1/10W, 1%, TF, ROHS	PANASONIC	ERJ-3EKF1001V
1	R49	RES, SMD, 0603, 100k, 1/10W, 1%, TF, ROHS	VENKEL	CR0603-10W-1003FT
12	R52-R63	RES, SMD, 2512, 100Ω, 1W, 1%, TF, ROHS	VISHAY/DALE	CRCW2512100RFKEG
12	R76-R87	RES, SMD, 0603, 330k, 1/10W, 1%, TF, ROHS	YAGEO	RC0603FR-07330KL
4	R88-R91	RES, SMD, 0603, 100Ω, 1/10W, 1%, TF, ROHS	VENKEL	CR0603-10W-1000FT
2	SW1, SW2	SWITCH-SLIDE, SMD, 5.4X5.2, 2POS, SPDT, ROHS	COPAL ELECTRONICS	CAS-D20TA
1	SW3	SWITCH-SLIDE, SMD, 5.4X5.2, 2POS, SPDT, ROHS	COPAL ELECTRONICS	CAS-220TA
1	U1	IC-MULTI-CELL BATTERY MANAGER, 14P, TQFP, 10X10, ROHS	INTERSIL	ISL94212ANZ
0	DGND, B0-B12, BAT	DO NOT POPULATE		
0	DWNHI-DHI1-DL01-DWNLO, UPHI-DHI2-DL02-UPLO	DO NOT POPULATE		
0	ExVDD-VREF-V2P5-VCC-VDD	DO NOT POPULATE		
0	VC0-VC12, VB	DO NOT POPULATE		

Layout

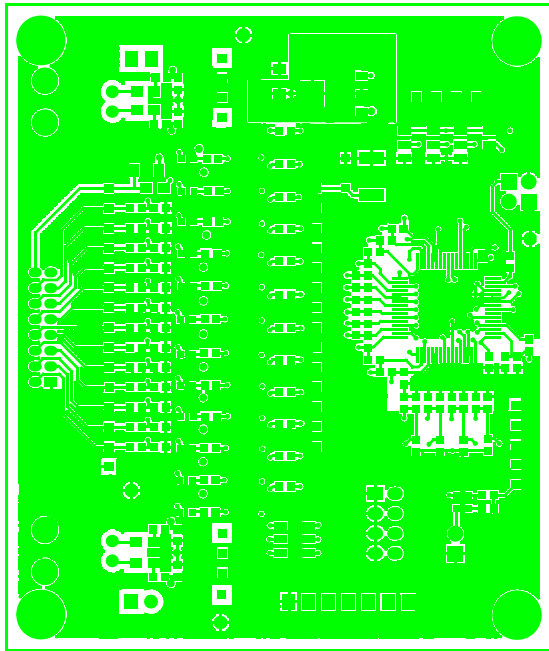


FIGURE 16. TOP LAYER

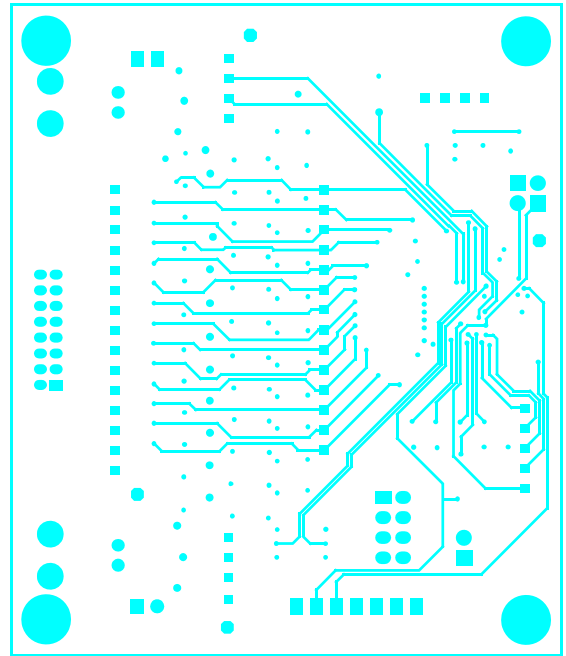


FIGURE 17. MIDDLE LAYER 1

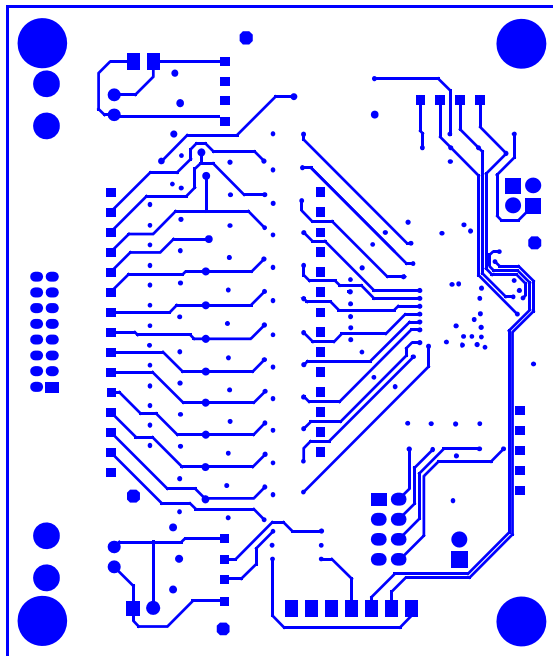


FIGURE 18. MIDDLE LAYER 2

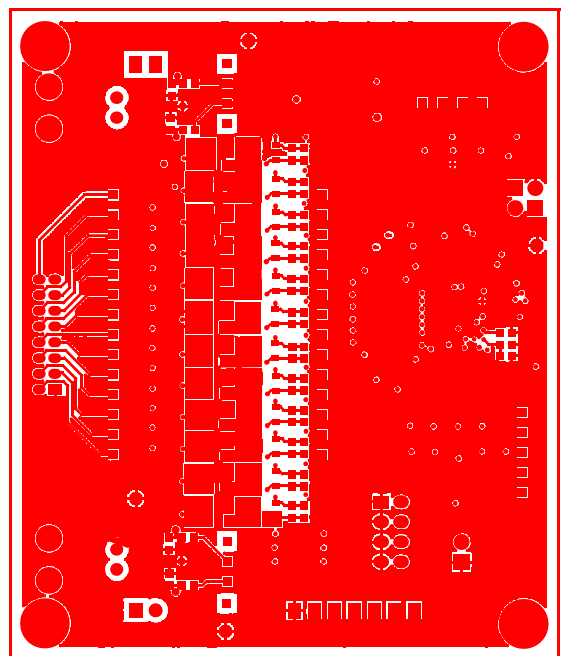


FIGURE 19. BOTTOM LAYER

Layout (Continued)

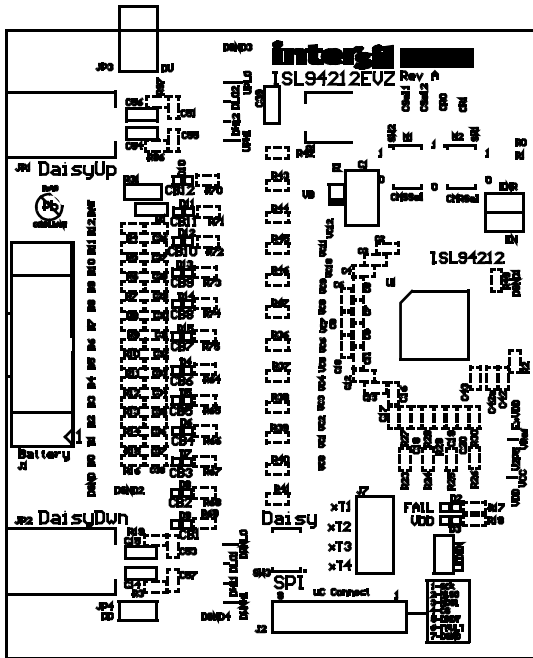


FIGURE 20. SILK TOP LAYER

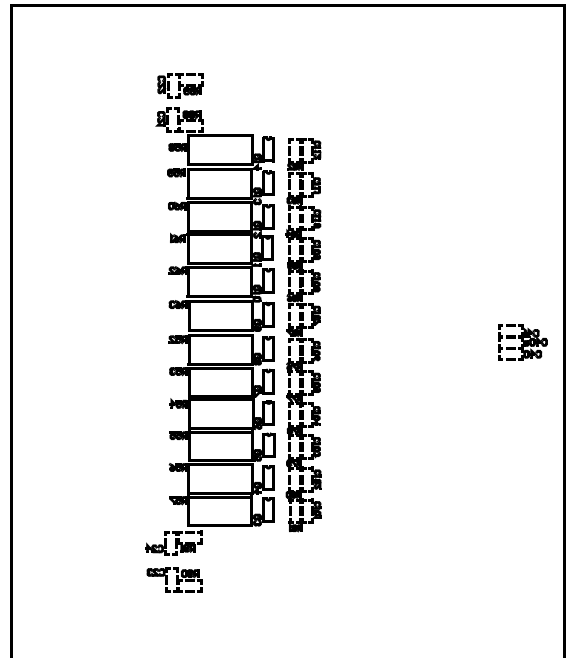


FIGURE 21. SILK BOTTOM LAYER

Default Configuration Settings

Configuration settings for this design are set by switch settings. See [Figures 3](#) and [5](#) for switch setting information.

- The primary ISL94212EVKIT1Z kit is set for non-daisy chain operation. It is intended to operate as a stand-alone for single device ([Figure 3 on page 4](#)) or as master in a daisy chain configuration ([Figure 5 on page 7](#)).
- Add-on kits part# ISL94212EVZ will need to be setup for daisy chain and either middle or top device. ([Figure 5 on page 7](#)) This will depend on the extension kits board physical placement in the chain.
- In daisy chain mode, chain circuitry component values are specified to operate in 500kHz rate. All devices receive a unique serial number when ATE testing in manufacturing. Consult datasheet regarding serial number register locations.

Errata/Q&A

1. When I click on Connect, nothing happens.

The most common problem encountered when setting up the boards is a “connection” or switch error. This is seen after clicking on the connect button and Device Present “PRES” indicators do not turn green. The Activity Log at the bottom of the screen also indicates that one or more of the devices cannot be found.

If this happens, check that all of the cables are connected properly and that the wires are not broken.

- Make sure that the daisy chain cables or boards connect as shown in [Figure 5 on page 7](#).
- Check that the USB cable is plugged in and that the ISL94212 driver was installed properly before clicking on Connect.
- Make sure the switches are set as shown in [Figure 5 on page 7](#).
- Inspect the LEDs to identify if all boards are powered properly. This is not always a good indication, since a board in sleep mode has an LED on, but at a lower voltage. It would be a good idea, if there is a communication problem not solved by the above, to check the voltage on the VDD and VREF pins. VDD should be 3.3V. If the board is in sleep mode, the voltage on VDD will drop to about 2.8V and VCC should equal VDD. The the VREF should be 2.5V in normal operation and drop to 0V in sleep. If the voltages do not match these values, then there could be a board problem and you should contact your Intersil representative.
- You could try to shuffle the boards. If this works, then this indicates that one of the daisy channels is not working properly.

- If these suggestions still do not work, then configure the “Master” board as a stand-alone board and try this. If it works, set up a stack of two boards. Then try three boards, and so on, until there is an error in communications. This identifies the point of communication failure. It could be a bad daisy chain cable or some problem with that particular device. Replace the cable or the board and try again.

2. When I enable polling, the voltages do not update.

When the GUI starts, there are no items selected for polling. Click on the “Polling Setup” button and click on the “Quick Setup” button. This enables the most common measurement operations.

3. The Label for the J2 connector on the ISL94212EVZ board is incorrect. It should read as follows (i.e. there is no EN signal between the two boards.)

1 - SCK
2 - MISO
3 - MOSI
4 - CS
5 - DRDY
6 - FAULT
7 - DGND

4. When contacting the factory with questions click on the “About” menu item and click on read firmware version and send the GUI and firmware version with your question. See example below.



Typical Performance Curves

Unless noted: V_{Batt} 24V or 48V as designated, $T_A = +25^\circ C$. Curves provided below are based on exported data from the ISL94212 GUI software. Measurements are captured from three ISL94212 devices operating in daisy chain mode. Charts are based on either 24V or 48V battery voltage. Measurements are taken with time being the x-axis. This provides information regarding typical subsystem reading variation. Some graphs provide device to device comparisons as well.

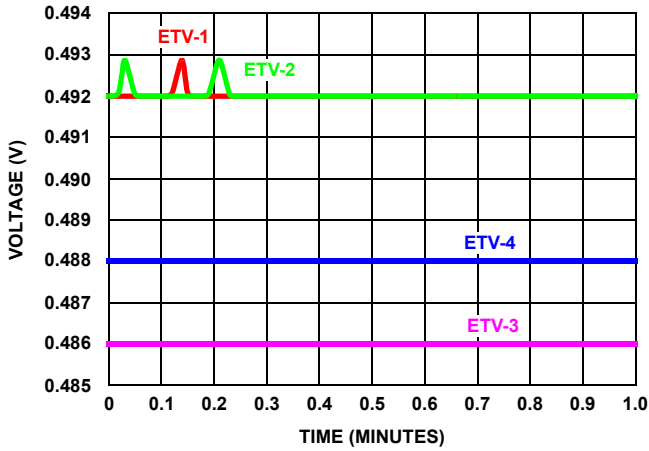


FIGURE 22. ETV1-4 DEVICE 1 48V

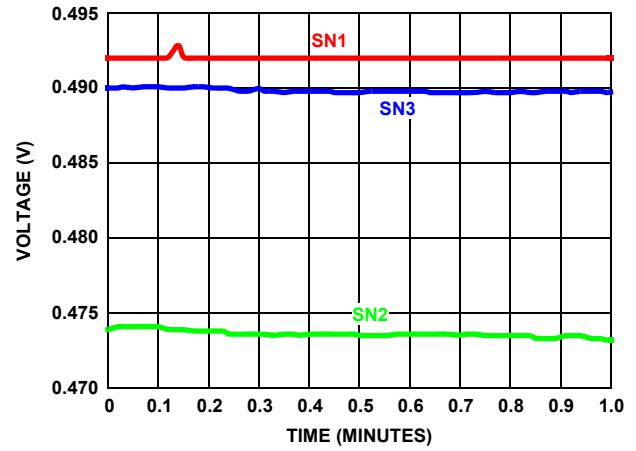


FIGURE 23. ETV1 DEVICE TO DEVICE SPREAD 48V

Internal Temperature

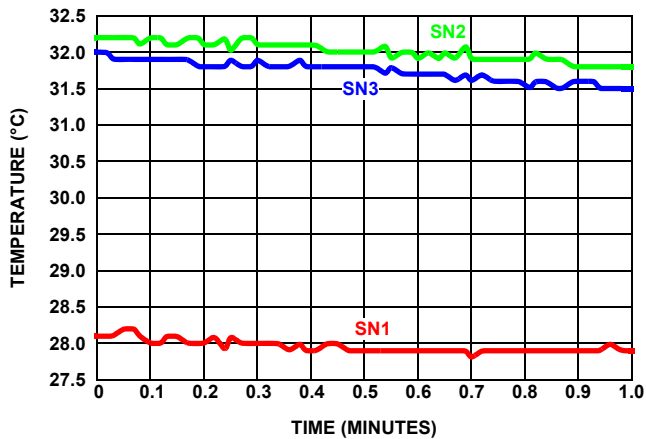


FIGURE 24. INTERNAL TEMPERATURE DEVICE TO DEVICE SPREAD 24V

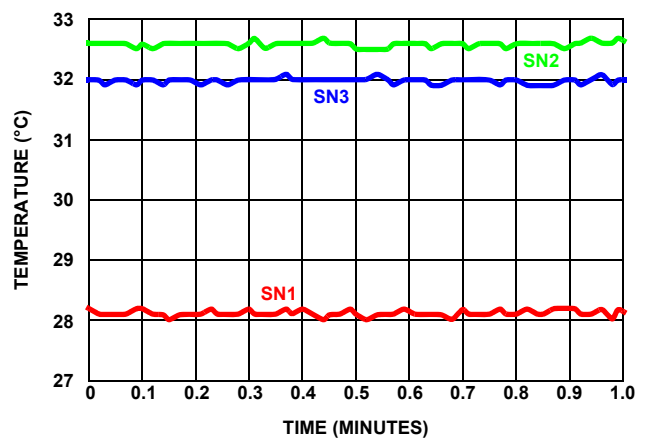


FIGURE 25. INTERNAL TEMPERATURE DEVICE TO DEVICE SPREAD 48V

Voltage Inputs

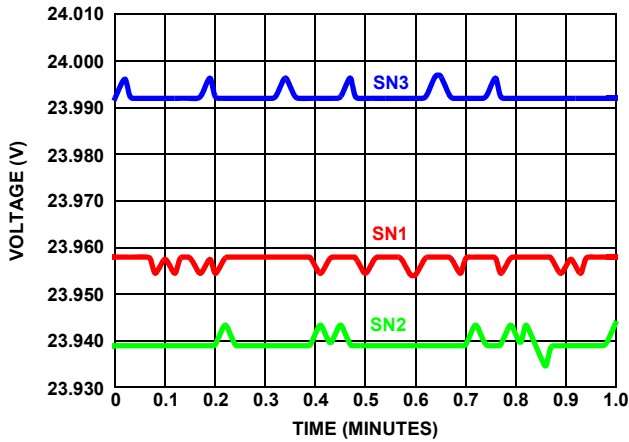


FIGURE 26. V_{BAT} DEVICE TO DEVICE 24V

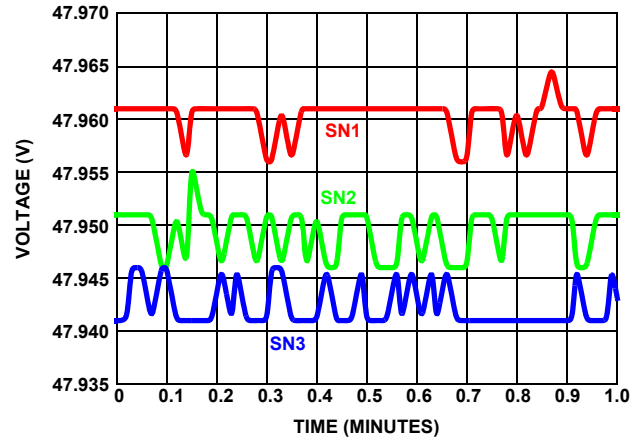


FIGURE 27. V_{BAT} DEVICE TO DEVICE 48V

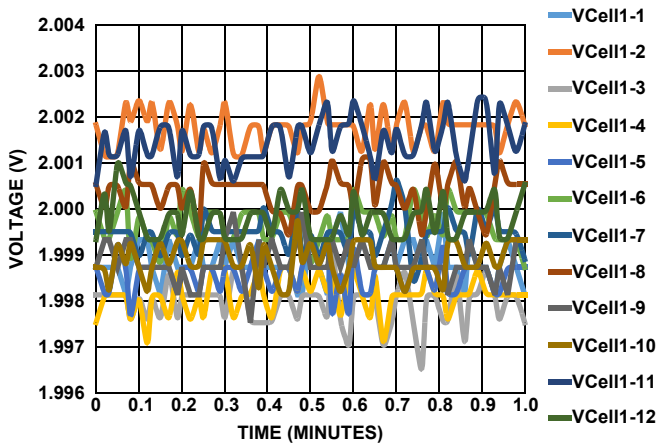


FIGURE 28. SN1 V_{CELLS} V_{BAT} 24V

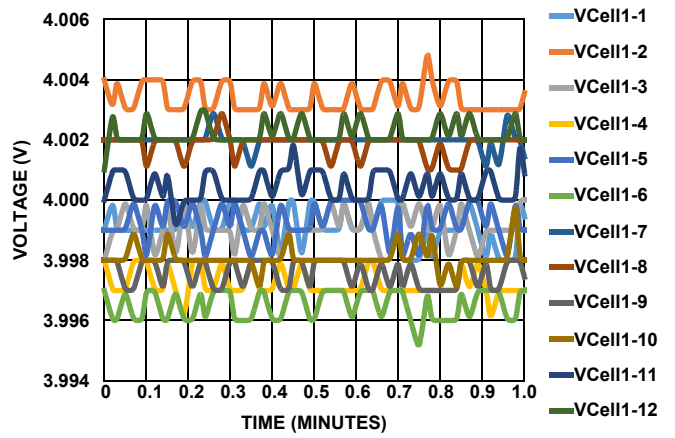


FIGURE 29. SN1 V_{CELLS} V_{BAT} 24V

Notice

1. Descriptions of circuits, software and other related information in this document are provided only to illustrate the operation of semiconductor products and application examples. You are fully responsible for the incorporation or any other use of the circuits, software, and information in the design of your product or system. Renesas Electronics disclaims any and all liability for any losses and damages incurred by you or third parties arising from the use of these circuits, software, or information.
2. Renesas Electronics hereby expressly disclaims any warranties against and liability for infringement or any other claims involving patents, copyrights, or other intellectual property rights of third parties, by or arising from the use of Renesas Electronics products or technical information described in this document, including but not limited to, the product data, drawings, charts, programs, algorithms, and application examples.
3. No license, express, implied or otherwise, is granted hereby under any patents, copyrights or other intellectual property rights of Renesas Electronics or others.
4. You shall not alter, modify, copy, or reverse engineer any Renesas Electronics product, whether in whole or in part. Renesas Electronics disclaims any and all liability for any losses or damages incurred by you or third parties arising from such alteration, modification, copying or reverse engineering.
5. Renesas Electronics products are classified according to the following two quality grades: "Standard" and "High Quality". The intended applications for each Renesas Electronics product depends on the product's quality grade, as indicated below.
"Standard": Computers; office equipment; communications equipment; test and measurement equipment; audio and visual equipment; home electronic appliances; machine tools; personal electronic equipment; industrial robots; etc.
"High Quality": Transportation equipment (automobiles, trains, ships, etc.); traffic control (traffic lights); large-scale communication equipment; key financial terminal systems; safety control equipment; etc.
Unless expressly designated as a high reliability product or a product for harsh environments in a Renesas Electronics data sheet or other Renesas Electronics document, Renesas Electronics products are not intended or authorized for use in products or systems that may pose a direct threat to human life or bodily injury (artificial life support devices or systems; surgical implantations; etc.), or may cause serious property damage (space system; undersea repeaters; nuclear power control systems; aircraft control systems; key plant systems; military equipment; etc.). Renesas Electronics disclaims any and all liability for any damages or losses incurred by you or any third parties arising from the use of any Renesas Electronics product that is inconsistent with any Renesas Electronics data sheet, user's manual or other Renesas Electronics document.
6. When using Renesas Electronics products, refer to the latest product information (data sheets, user's manuals, application notes, "General Notes for Handling and Using Semiconductor Devices" in the reliability handbook, etc.), and ensure that usage conditions are within the ranges specified by Renesas Electronics with respect to maximum ratings, operating power supply voltage range, heat dissipation characteristics, installation, etc. Renesas Electronics disclaims any and all liability for any malfunctions, failure or accident arising out of the use of Renesas Electronics products outside of such specified ranges.
7. Although Renesas Electronics endeavors to improve the quality and reliability of Renesas Electronics products, semiconductor products have specific characteristics, such as the occurrence of failure at a certain rate and malfunctions under certain use conditions. Unless designated as a high reliability product or a product for harsh environments in a Renesas Electronics data sheet or other Renesas Electronics document, Renesas Electronics products are not subject to radiation resistance design. You are responsible for implementing safety measures to guard against the possibility of bodily injury, injury or damage caused by fire, and/or danger to the public in the event of a failure or malfunction of Renesas Electronics products, such as safety design for hardware and software, including but not limited to redundancy, fire control and malfunction prevention, appropriate treatment for aging degradation or any other appropriate measures. Because the evaluation of microcomputer software alone is very difficult and impractical, you are responsible for evaluating the safety of the final products or systems manufactured by you.
8. Please contact a Renesas Electronics sales office for details as to environmental matters such as the environmental compatibility of each Renesas Electronics product. You are responsible for carefully and sufficiently investigating applicable laws and regulations that regulate the inclusion or use of controlled substances, including without limitation, the EU RoHS Directive, and using Renesas Electronics products in compliance with all these applicable laws and regulations. Renesas Electronics disclaims any and all liability for damages or losses occurring as a result of your noncompliance with applicable laws and regulations.
9. Renesas Electronics products and technologies shall not be used for or incorporated into any products or systems whose manufacture, use, or sale is prohibited under any applicable domestic or foreign laws or regulations. You shall comply with any applicable export control laws and regulations promulgated and administered by the governments of any countries asserting jurisdiction over the parties or transactions.
10. It is the responsibility of the buyer or distributor of Renesas Electronics products, or any other party who distributes, disposes of, or otherwise sells or transfers the product to a third party, to notify such third party in advance of the contents and conditions set forth in this document.
11. This document shall not be reprinted, reproduced or duplicated in any form, in whole or in part, without prior written consent of Renesas Electronics.
12. Please contact a Renesas Electronics sales office if you have any questions regarding the information contained in this document or Renesas Electronics products.
(Note 1) "Renesas Electronics" as used in this document means Renesas Electronics Corporation and also includes its directly or indirectly controlled subsidiaries.
(Note 2) "Renesas Electronics product(s)" means any product developed or manufactured by or for Renesas Electronics.

(Rev.4.0-1 November 2017)



SALES OFFICES

Renesas Electronics Corporation

<http://www.renesas.com>

Refer to "<http://www.renesas.com/>" for the latest and detailed information.

Renesas Electronics America Inc.
1001 Murphy Ranch Road, Milpitas, CA 95035, U.S.A.
Tel: +1-408-432-8888, Fax: +1-408-434-5351

Renesas Electronics Canada Limited
9251 Yonge Street, Suite 8309 Richmond Hill, Ontario Canada L4C 9T3
Tel: +1-905-237-2004

Renesas Electronics Europe Limited
Dukes Meadow, Millboard Road, Bourne End, Buckinghamshire, SL8 5FH, U.K
Tel: +44-1628-651-700, Fax: +44-1628-651-804

Renesas Electronics Europe GmbH
Arcadiastrasse 10, 40472 Düsseldorf, Germany
Tel: +49-211-6503-0, Fax: +49-211-6503-1327

Renesas Electronics (China) Co., Ltd.
Room 1709 Quantum Plaza, No.27 ZhichunLu, Haidian District, Beijing, 100191 P. R. China
Tel: +86-10-8235-1155, Fax: +86-10-8235-7679

Renesas Electronics (Shanghai) Co., Ltd.
Unit 301, Tower A, Central Towers, 555 Langao Road, Putuo District, Shanghai, 200333 P. R. China
Tel: +86-21-2226-0888, Fax: +86-21-2226-0999

Renesas Electronics Hong Kong Limited
Unit 1601-1611, 16/F., Tower 2, Grand Century Place, 193 Prince Edward Road West, Mongkok, Kowloon, Hong Kong
Tel: +852-2265-6688, Fax: +852-2886-9022

Renesas Electronics Taiwan Co., Ltd.
13F, No. 363, Fu Shing North Road, Taipei 10543, Taiwan
Tel: +886-2-8175-9600, Fax: +886-2-8175-9670

Renesas Electronics Singapore Pte. Ltd.
80 Bendemeer Road, Unit #06-02 Hyflux Innovation Centre, Singapore 339949
Tel: +65-6213-0200, Fax: +65-6213-0300

Renesas Electronics Malaysia Sdn.Bhd.
Unit 1207, Block B, Menara Amcorp, Amcorp Trade Centre, No. 18, Jln Persiaran Barat, 46050 Petaling Jaya, Selangor Darul Ehsan, Malaysia
Tel: +60-3-7955-9390, Fax: +60-3-7955-9510

Renesas Electronics India Pvt. Ltd.
No.777C, 100 Feet Road, HAL 2nd Stage, Indiranagar, Bangalore 560 038, India
Tel: +91-80-67208700, Fax: +91-80-67208777

Renesas Electronics Korea Co., Ltd.
17F, KAMCO Yangjae Tower, 262, Gangnam-daero, Gangnam-gu, Seoul, 06265 Korea
Tel: +82-2-558-3737, Fax: +82-2-558-5338