

ISO-DONGLE1Z

User's Manual: Communications Dongle

Battery Management Systems

All information contained in these materials, including products and product specifications, represents information on the product at the time of publication and is subject to change by Renesas Electronics Corp. without notice. Please review the latest information published by Renesas Electronics Corp. through various means, including the Renesas Electronics Corp. website (<http://www.renesas.com>).

ISO-DONGLE1Z

Communications Dongle

The ISO-DONGLE1Z is a USB to I²C conversion dongle that facilitates communication between various Renesas battery management evaluation kits and GUIs. To check if an Evaluation Kit is compatible with the ISO-DONGLE1Z, see the appropriate evaluation kit user's manual for further information.

The ISO-DONGLE1Z is designed to electrically isolate the connected assembly ground of the evaluation board from the PC ground. Most Battery Management Systems (BMS) operate isolated from earth ground. For example, when an oscilloscope is connected to a BMS assembly it can provide a path to earth ground, which in severe cases can reset the BMS. Renesas recommends that the BMS assembly ground is provided a connection to earth ground before a test system, oscilloscope, communications dongle, or other powered items are connected.

Key Features

- Compatible with a range of Renesas BMS evaluation kits and GUIs
- Performs I²C communication using USB port
- Electrical isolation allows for accurate evaluation of BMS ICs
- Plug-and-go operation - no drivers required

Ordering Information

Part Number	Description
ISO-DONGLE1Z	Isolated USB to I ² C conversion dongle

Related Devices

Part Number	Description
ISL94202EVKIT1Z	ISL 94202 evaluation kit, includes standard dongle
ISL94203EVKIT1Z	ISL 94203 evaluation kit, includes standard dongle

Related Literature

For a full list of related documents, visit our website:

[ISL94202](#), [ISL94203](#) device pages

1. Functional Description

The ISO-DONGLE1Z is shown in [Figure 1](#). To begin, connect the dongle to a computer with the included USB cable. The button on the board, labeled **SW1**, resets the MCU on the dongle. Pressing this button is occasionally necessary when an unexpected error occurs either on the evaluation board side, such as a loss of power during communication, or a crash on the PC side. Disconnecting the dongle from the evaluation board and the PC also resets the dongle MCU.

The user's manual for all Renesas BMS GUIs provides additional information on the steps required to use the dongle to communicate between a target GUI and evaluation kit. Most evaluation boards should be powered before the dongle is connected.

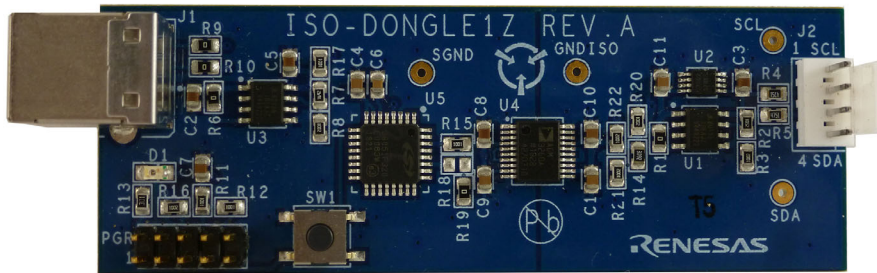


Figure 1. ISO-DONGLE1Z Board

1.1 Configuration for 3.3V Devices

By default, the ISO-DONGLE1Z is configured to work with the ISL94202 and ISL94203, which operate with 2.5 V logic. For compatible devices with 3.3V logic, replace R2 in [Figure 2](#) with a 16.9kΩ resistor.

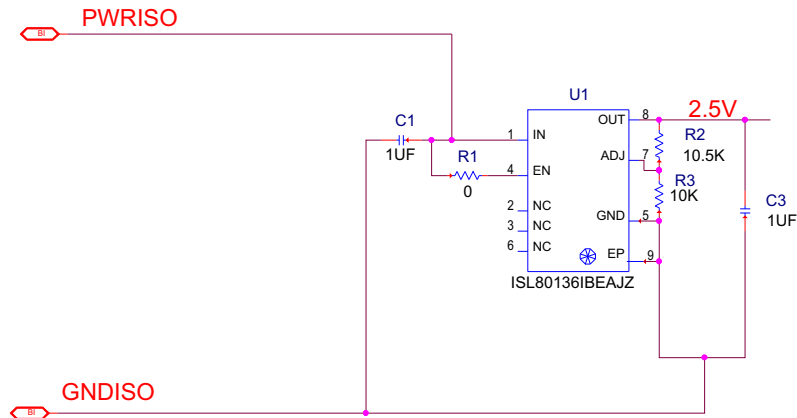


Figure 2. Configuration for 3.3V Devices

2. Revision History

Rev.	Date	Description
1.00	Aug.1.19	Initial release

Notice

1. Descriptions of circuits, software and other related information in this document are provided only to illustrate the operation of semiconductor products and application examples. You are fully responsible for the incorporation or any other use of the circuits, software, and information in the design of your product or system. Renesas Electronics disclaims any and all liability for any losses and damages incurred by you or third parties arising from the use of these circuits, software, or information.
2. Renesas Electronics hereby expressly disclaims any warranties against and liability for infringement or any other claims involving patents, copyrights, or other intellectual property rights of third parties, by or arising from the use of Renesas Electronics products or technical information described in this document, including but not limited to, the product data, drawings, charts, programs, algorithms, and application examples.
3. No license, express, implied or otherwise, is granted hereby under any patents, copyrights or other intellectual property rights of Renesas Electronics or others.
4. You shall not alter, modify, copy, or reverse engineer any Renesas Electronics product, whether in whole or in part. Renesas Electronics disclaims any and all liability for any losses or damages incurred by you or third parties arising from such alteration, modification, copying or reverse engineering.
5. Renesas Electronics products are classified according to the following two quality grades: "Standard" and "High Quality". The intended applications for each Renesas Electronics product depends on the product's quality grade, as indicated below.
 - "Standard": Computers; office equipment; communications equipment; test and measurement equipment; audio and visual equipment; home electronic appliances; machine tools; personal electronic equipment; industrial robots; etc.
 - "High Quality": Transportation equipment (automobiles, trains, ships, etc.); traffic control (traffic lights); large-scale communication equipment; key financial terminal systems; safety control equipment; etc.Unless expressly designated as a high reliability product or a product for harsh environments in a Renesas Electronics data sheet or other Renesas Electronics document, Renesas Electronics products are not intended or authorized for use in products or systems that may pose a direct threat to human life or bodily injury (artificial life support devices or systems; surgical implantations; etc.), or may cause serious property damage (space system; undersea repeaters; nuclear power control systems; aircraft control systems; key plant systems; military equipment; etc.). Renesas Electronics disclaims any and all liability for any damages or losses incurred by you or any third parties arising from the use of any Renesas Electronics product that is inconsistent with any Renesas Electronics data sheet, user's manual or other Renesas Electronics document.
6. When using Renesas Electronics products, refer to the latest product information (data sheets, user's manuals, application notes, "General Notes for Handling and Using Semiconductor Devices" in the reliability handbook, etc.), and ensure that usage conditions are within the ranges specified by Renesas Electronics with respect to maximum ratings, operating power supply voltage range, heat dissipation characteristics, installation, etc. Renesas Electronics disclaims any and all liability for any malfunctions, failure or accident arising out of the use of Renesas Electronics products outside of such specified ranges.
7. Although Renesas Electronics endeavors to improve the quality and reliability of Renesas Electronics products, semiconductor products have specific characteristics, such as the occurrence of failure at a certain rate and malfunctions under certain use conditions. Unless designated as a high reliability product or a product for harsh environments in a Renesas Electronics data sheet or other Renesas Electronics document, Renesas Electronics products are not subject to radiation resistance design. You are responsible for implementing safety measures to guard against the possibility of bodily injury, injury or damage caused by fire, and/or danger to the public in the event of a failure or malfunction of Renesas Electronics products, such as safety design for hardware and software, including but not limited to redundancy, fire control and malfunction prevention, appropriate treatment for aging degradation or any other appropriate measures. Because the evaluation of microcomputer software alone is very difficult and impractical, you are responsible for evaluating the safety of the final products or systems manufactured by you.
8. Please contact a Renesas Electronics sales office for details as to environmental matters such as the environmental compatibility of each Renesas Electronics product. You are responsible for carefully and sufficiently investigating applicable laws and regulations that regulate the inclusion or use of controlled substances, including without limitation, the EU RoHS Directive, and using Renesas Electronics products in compliance with all these applicable laws and regulations. Renesas Electronics disclaims any and all liability for damages or losses occurring as a result of your noncompliance with applicable laws and regulations.
9. Renesas Electronics products and technologies shall not be used for or incorporated into any products or systems whose manufacture, use, or sale is prohibited under any applicable domestic or foreign laws or regulations. You shall comply with any applicable export control laws and regulations promulgated and administered by the governments of any countries asserting jurisdiction over the parties or transactions.
10. It is the responsibility of the buyer or distributor of Renesas Electronics products, or any other party who distributes, disposes of, or otherwise sells or transfers the product to a third party, to notify such third party in advance of the contents and conditions set forth in this document.
11. This document shall not be reprinted, reproduced or duplicated in any form, in whole or in part, without prior written consent of Renesas Electronics.
12. Please contact a Renesas Electronics sales office if you have any questions regarding the information contained in this document or Renesas Electronics products.

(Note1) "Renesas Electronics" as used in this document means Renesas Electronics Corporation and also includes its directly or indirectly controlled subsidiaries.

(Note2) "Renesas Electronics product(s)" means any product developed or manufactured by or for Renesas Electronics.

(Rev.4.0-1 November 2017)

Corporate Headquarters

TOYOSU FORESIA, 3-2-24 Toyosu,
Koto-ku, Tokyo 135-0061, Japan
www.renesas.com

Contact Information

For further information on a product, technology, the most up-to-date version of a document, or your nearest sales office, please visit:
www.renesas.com/contact/

Trademarks

Renesas and the Renesas logo are trademarks of Renesas Electronics Corporation. All trademarks and registered trademarks are the property of their respective owners.

ISO-DONGLE1Z