

RTKA214223DR0000BU

The RTKA214223DR0000BU demonstration board provides a simple platform for demonstrating the RAA214223 LDO linear regulator. The board features convenient connection points for input, output, and enable. With a small form factor, the board integrates into another system as a daughter card or a module.

The RAA214223 is offered in a 5Ld TSOT23 package. The RTKA214223DR0000BU demonstration board operates from a supply voltage of 4V to 20V DC with a fixed output voltage of 3.3V at a load up to 150mA.

Features

- Wide input voltage range 4V to 20V
- 3.3V fixed output voltage
- Excellent line and load regulation
- Stable with as low as 1μF MLCC output capacitor
- Integrated fault protections including over-temperature shutdown and current limit

Specifications

This board is specified for the following operating conditions:

- V_{IN} supply: 4V to 20V
- V_{OUT} : 3.3V
- Load step: Up to 150mA
- Short-circuit current limit: 220mA

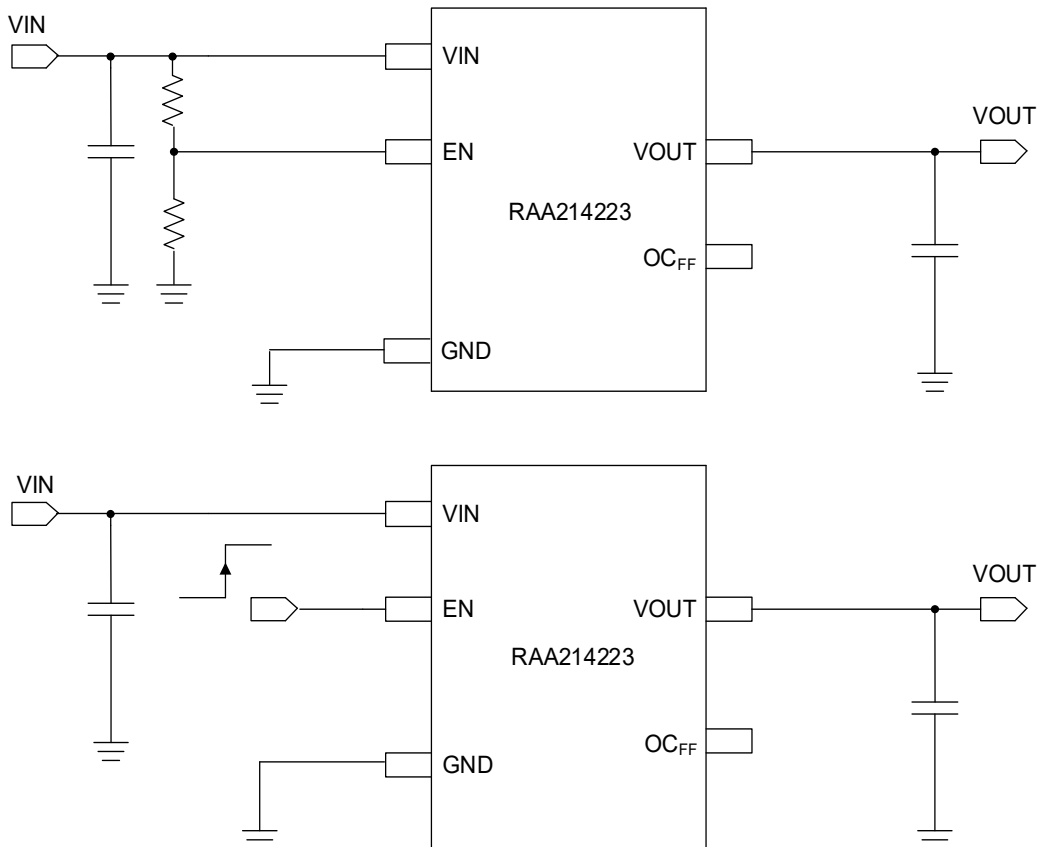


Figure 1. Block Diagram

Contents

1. Functional Description	3
1.1 Setup and Configuration	3
1.1.1 Recommended Equipment	3
1.1.2 Quick Start Guide	3
2. Board Design	3
2.1 PCB Layout Guidelines	4
2.2 Schematic Diagrams	4
2.3 Bill of Materials	4
2.4 Board Layout	5
3. Ordering Information	6
4. Revision History	6

1. Functional Description

The RTKA214223DR0000BU provides you with an easy setup to demonstrate the functionality of the RAA214223 LDO linear regulator. This demonstration board includes an input capacitor, output capacitor, and a placeholder for an optional 10 to 22pF capacitor between the VOUT and OCFE pins. This capacitor is not required but can be used to improve the transient response or startup overshoot. Connectors for input, output, and the enable signal are populated on the board for simple connections. Also, use the pads for these connectors to solder or connect the small demonstration board to other systems.

1.1 Setup and Configuration

1.1.1 Recommended Equipment

- Power supply that delivers up to 20V with at least 0.5A source current capability.
- Second power supply that delivers up to 20V (optional).
- DC electronic load to draw current out of the LDO output.
- Oscilloscope to monitor input voltage, output voltage, and load current.

1.1.2 Quick Start Guide

1. Connect a power supply to the VIN terminals on board TP1 and GND.
2. If an external EN signal is needed, connect a second power supply to the EN terminals TP5 and GND.
3. Alternatively, connect TP5 and TP1 so that the input voltage enables the IC.
4. Connect the DC load to the output terminals TP2 and GND.
5. Turn on the VIN supply at the required voltage, up to 20V.
6. If applicable, turn on the EN power supply at the required voltage, up to 20V.
7. Verify output voltage and load current on the oscilloscope.

2. Board Design

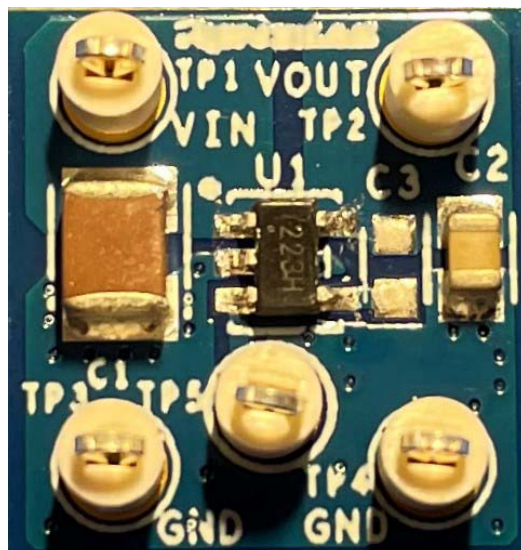


Figure 2. RTKA214223DR0000BU Evaluation Board (Top), 0.530 × 0.575in

2.1 PCB Layout Guidelines

For best thermal performance, use as many vias as possible to connect the top layer PCB thermal land to ground planes on other PCB layers.

Place the components connected to the ADJ pin as close to the pin as possible to allow the shortest possible routing; with this method, the parasitic capacitance on the pin is minimized.

2.2 Schematic Diagrams

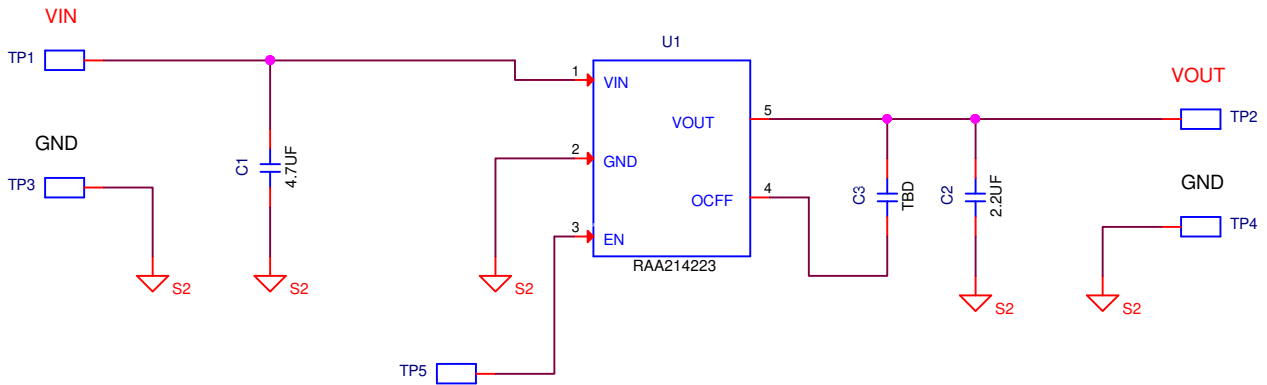


Figure 3. RTKA214223DR0000BU Schematic

2.3 Bill of Materials

Qty	Reference Designator	Description	Manufacturer	Manufacturer Part Number
5	TP1, TP2, TP3, TP4, TP5	Miniature White Test Point	Keystone	5002
1	C1	Ceramic Chip Cap, 4.7µF	TDK	CGA6M3X7S2A475K200AB
1	C2	Ceramic Cap, 2.2µF	Murata	GRM21BR71E225KA73L
1	U1	150mA 20V LDO Linear Regulator	Renesas	RAA214223

2.4 Board Layout

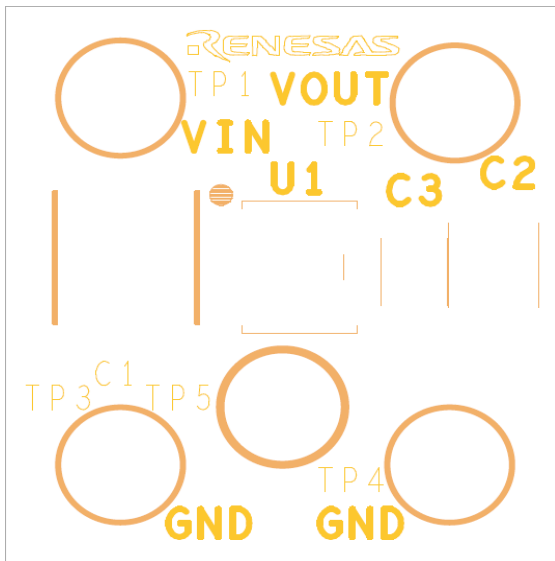


Figure 4. Silkscreen Top Layer

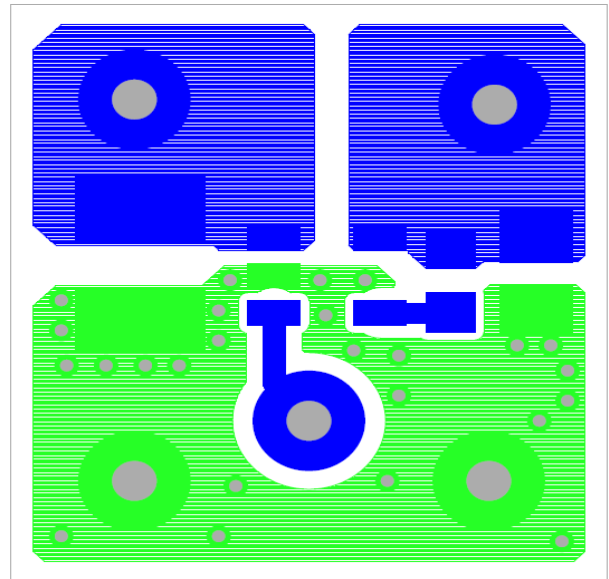


Figure 5. Layer 1

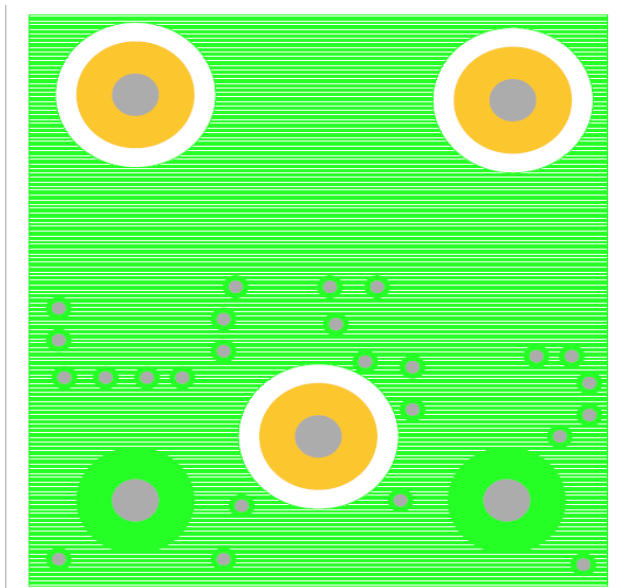


Figure 6. Layer 2



Figure 7. Silkscreen Bottom Layer

3. Ordering Information

Part Number	Description
RTKA214223DR0000BU	RAA214223 Demonstration Board

4. Revision History

Revision	Date	Description
1.00	Jun 9, 2023	Initial release

IMPORTANT NOTICE AND DISCLAIMER

RENESAS ELECTRONICS CORPORATION AND ITS SUBSIDIARIES (“RENESAS”) PROVIDES TECHNICAL SPECIFICATIONS AND RELIABILITY DATA (INCLUDING DATASHEETS), DESIGN RESOURCES (INCLUDING REFERENCE DESIGNS), APPLICATION OR OTHER DESIGN ADVICE, WEB TOOLS, SAFETY INFORMATION, AND OTHER RESOURCES “AS IS” AND WITH ALL FAULTS, AND DISCLAIMS ALL WARRANTIES, EXPRESS OR IMPLIED, INCLUDING, WITHOUT LIMITATION, ANY IMPLIED WARRANTIES OF MERCHANTABILITY, FITNESS FOR A PARTICULAR PURPOSE, OR NON-INFRINGEMENT OF THIRD PARTY INTELLECTUAL PROPERTY RIGHTS.

These resources are intended for developers skilled in the art designing with Renesas products. You are solely responsible for (1) selecting the appropriate products for your application, (2) designing, validating, and testing your application, and (3) ensuring your application meets applicable standards, and any other safety, security, or other requirements. These resources are subject to change without notice. Renesas grants you permission to use these resources only for development of an application that uses Renesas products. Other reproduction or use of these resources is strictly prohibited. No license is granted to any other Renesas intellectual property or to any third party intellectual property. Renesas disclaims responsibility for, and you will fully indemnify Renesas and its representatives against, any claims, damages, costs, losses, or liabilities arising out of your use of these resources. Renesas' products are provided only subject to Renesas' Terms and Conditions of Sale or other applicable terms agreed to in writing. No use of any Renesas resources expands or otherwise alters any applicable warranties or warranty disclaimers for these products.

(Disclaimer Rev.1.0 Mar 2020)

Corporate Headquarters

TOYOSU FORESIA, 3-2-24 Toyosu,
Koto-ku, Tokyo 135-0061, Japan
www.renesas.com

Contact Information

For further information on a product, technology, the most up-to-date version of a document, or your nearest sales office, please visit:
www.renesas.com/contact/

Trademarks

Renesas and the Renesas logo are trademarks of Renesas Electronics Corporation. All trademarks and registered trademarks are the property of their respective owners.