

To our customers,

---

## Old Company Name in Catalogs and Other Documents

---

On April 1<sup>st</sup>, 2010, NEC Electronics Corporation merged with Renesas Technology Corporation, and Renesas Electronics Corporation took over all the business of both companies. Therefore, although the old company name remains in this document, it is a valid Renesas Electronics document. We appreciate your understanding.

Renesas Electronics website: <http://www.renesas.com>

April 1<sup>st</sup>, 2010  
Renesas Electronics Corporation

Issued by: Renesas Electronics Corporation (<http://www.renesas.com>)

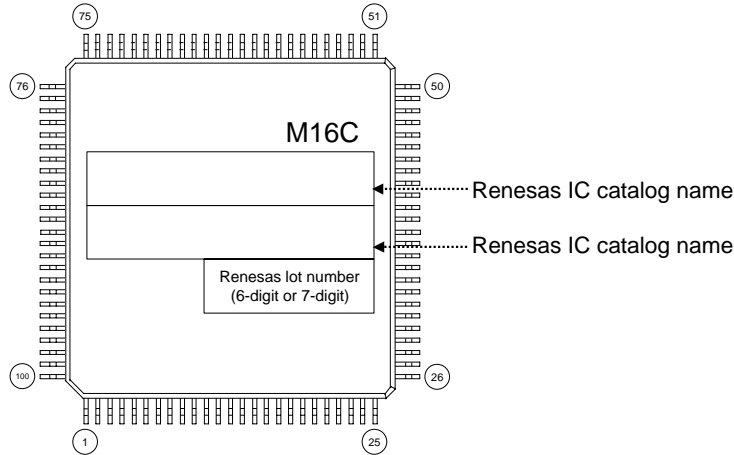
Send any inquiries to <http://www.renesas.com/inquiry>.

# 100P6Q(100-PIN LQFP)MARK SPECIFICATION FORM <M16C/62P Only>

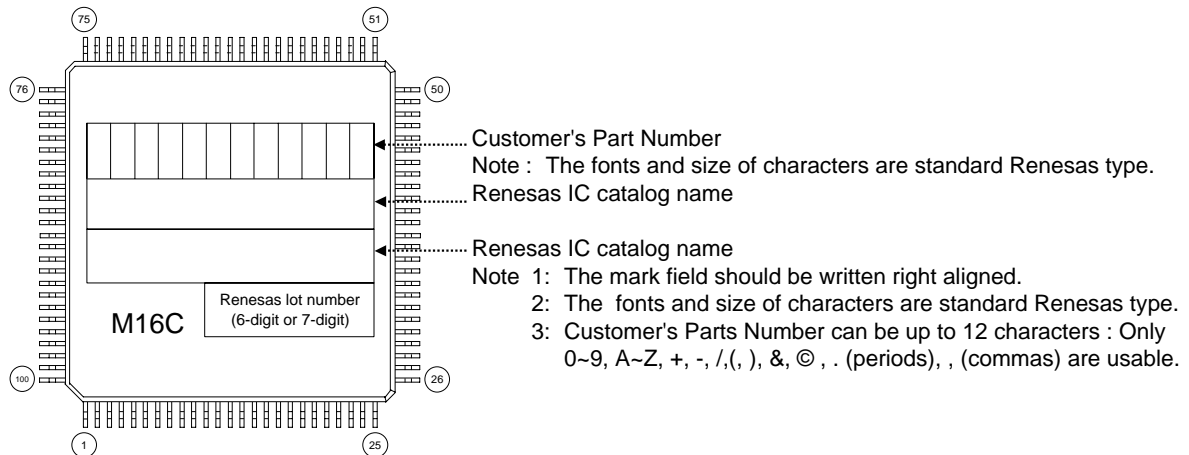
Renesas IC catalog name

Please choose one of the marking types below (A, B, C), and enter the Renesas catalog name and the special mark (if needed).

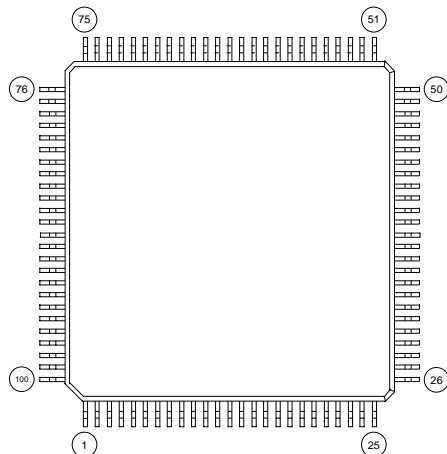
## A. Standard Renesas Mark



## B. Customer's Parts Number + Renesas catalog name



## C. Special Mark Required



- Note 1: If the Special Mark is to be Printed, indicate the desired layout of the mark in the left figure. The layout will be duplicated as close as possible.  
 Renesas lot number (6-digit or 7-digit) and Mask ROM number (3-digit) are always marked.
- 2: If the customer's trade mark logo must be used in the Special Mark, check the box below.  
 Please submit a clean original of the logo.  
 For the new special character fonts a clean font original (ideally logo drawing) must be submitted.

Special logo required