



Integrated Device Technology, Inc.
6024 Silver Creek Valley Road, San Jose, CA 95138

PRODUCT/PROCESS CHANGE NOTICE (PCN)

ATTACHMENT I - PCN #: TB0711-02

PCN Type: Packing Material

Data Sheet Change: None

Detail of Change: This notification is to advise our customers that IDT has qualified new shipping trays for 14 mm x 14 mm PQFP 52L and 64L products.

There is no change to the number of units per tray and tray dimensions but changes to the tray withstand temperature.

The new shipping trays have passed IDT's internal qualification requirements.

Customer may receive product shipped in the existing trays and new trays in one single shipment until the existing trays are depleted.

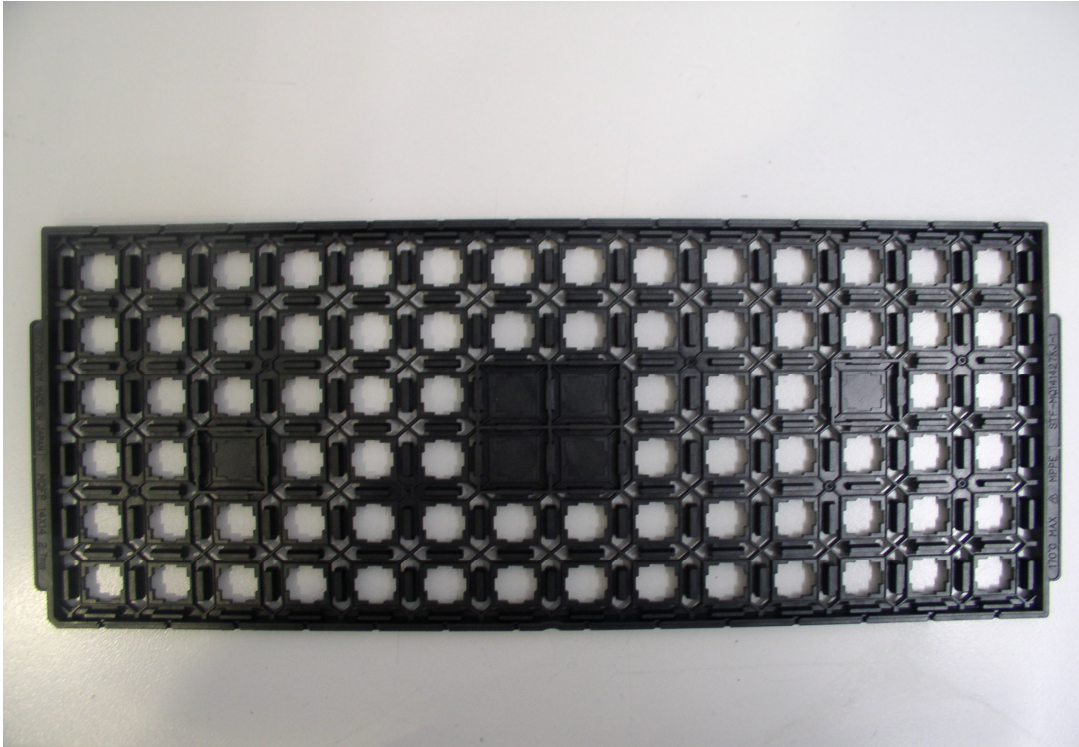
Description	Existing Shipping Tray	New Shipping Tray
Supplier	Shinon	NK Tech
Supplier Part Number	STF-MQ141427LD-1	TMHT-061402-02
IDT Part Number	P7-148-000	P7-229-000
Tray Matrix	6 X 14	6 X 14
Qty per Tray	84 units	84 units
Rating Temperature	150°C	135°C
Tray Material	PPE + CF	PPE + CF
Pocket Size (WxL)	13.83 X 13.83 +/- 0.13 mm	13.92 X 13.92 +/- 0.07 mm
Tray Drawing Number	MSC-1717	MSC-5758



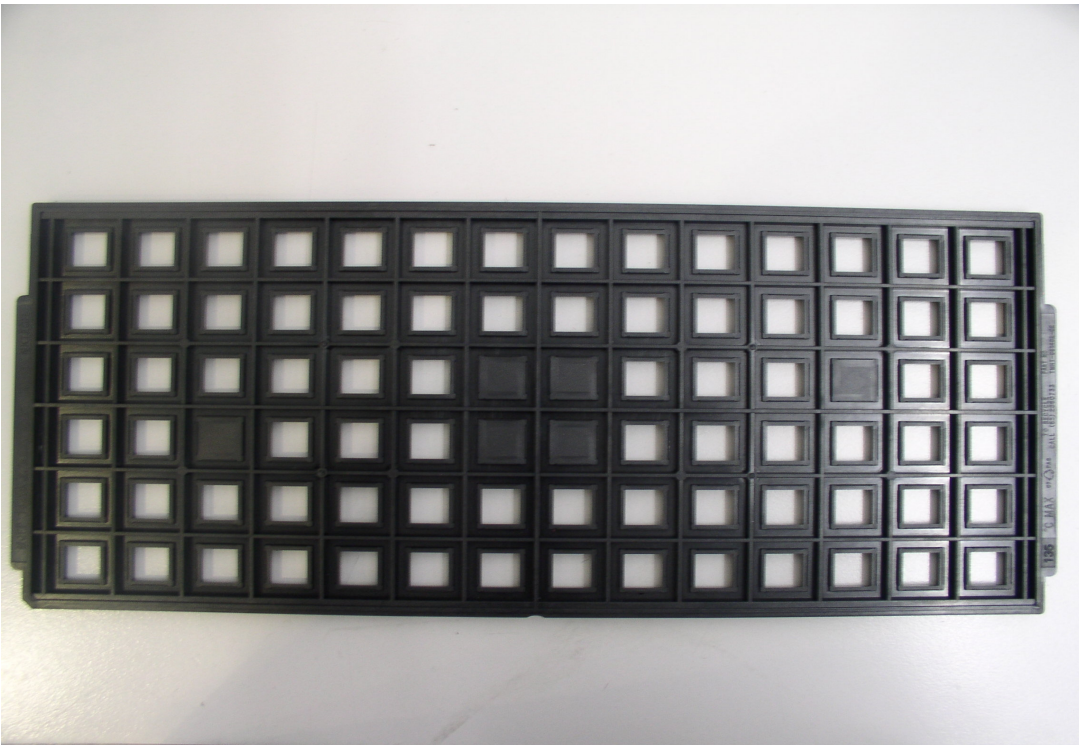
Integrated Device Technology, Inc.
6024 Silver Creek Valley Road, San Jose, CA 95138

PRODUCT/PROCESS CHANGE NOTICE (PCN)

ATTACHMENT I - PCN #: TB0711-02



Existing Shipping Tray



New Shipping Tray



Integrated Device Technology, Inc.
6024 Silver Creek Valley Road, San Jose, CA 95138

PRODUCT/PROCESS CHANGE NOTICE (PCN)

ATTACHMENT I - PCN #: TB0711-02

Qualification Plan #: BC07-07-06

Qualification Test Plan and Result:

Qualification Test and Conditions	Reject / Sample Size	Result
5 Feet Drop Test (6 drops, 1 drop per side @ standard packing)	0/4 trays (336 units)	Pass
Manufacturability (IC Fitting, Trim & Form Machine, Vision System, Test Handler)	0/5 trays	Pass
Visual/Mechanical (Chip, crack, pit, incomplete fill, contamination, burr on tray pocket)	0/5 trays	Pass
Static Electricity Test (100 volts max)	0/5 trays	Pass
Surface Resistivity Test (1×10^5 to 1×10^{11} ohms per sq)	0/5 trays	Pass
Dimensional (critical dimensions based on drawing)	0/5 trays	Pass
Bake Test (135°C@24 hours, bundled and singulated methods)	0/8 trays	Pass



Integrated Device Technology, Inc.
6024 Silver Creek Valley Road, San Jose, CA 95138

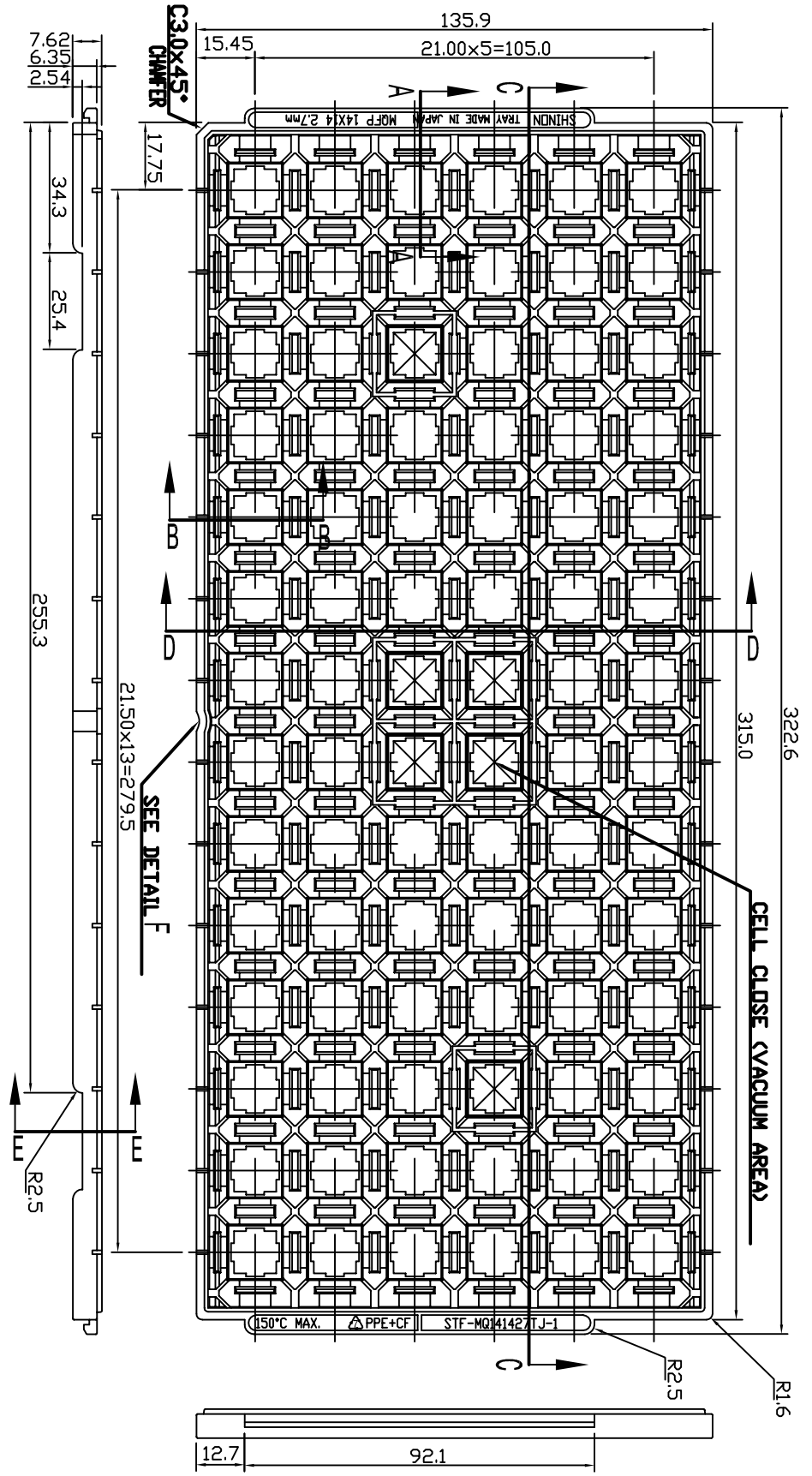
PRODUCT/PROCESS CHANGE NOTICE (PCN)

ATTACHMENT II - PCN #: TB0711-02

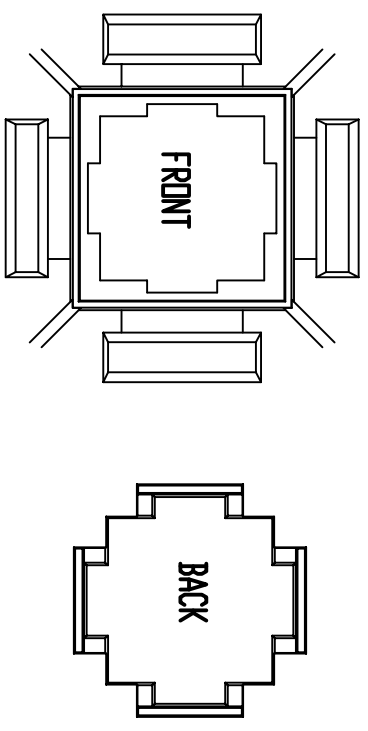
Affected Part Number

IDT821034DN
IDT821034DNG

REVISIONS			
REV	DESCRIPTION	DATE	APPROVED
05	REMOVED END CLIP IMPLEMENTATION	06/21/06	KK Thee
06	ADDED NEW PACKAGE - DN/DNG 64	12/12/06	KK Thee



- NOTES : (UNLESS OTHERWISE SPECIFIED)
1. MATERIAL : PPE + CF (BLACK)
 2. ALL DIMENSIONS ARE IN mm.
 3. TEMPERATURE : 150°C MAX
 4. ESD SURFACE RESISTIVITY SHALL CONFORM TO IDT SPEC MSA-3032.
 5. SHIMON PART NUMBER : BLACK TRAY : STF-MQ141427JU-1
RED TRAY : STF-MQ141427LD-1
 6. NUMBER OF POCKET : 6 X 14 = 84 POCKETS



CELL VIEW(2/1)

TOLERANCES UNLESS OTHERWISE SPECIFIED
 DECIMALS .25 ANGLE ± .5°
 X ± .13
 XX ± .13
 XXX ± .13

APPROVALS _____ DATE _____

DRAWN _____

CHECKED _____

TITLE: DN/DNG 52/64 SHIPPING TRAY

STOCK NO. P7-148-000 DRAWING NO. MSC-1717

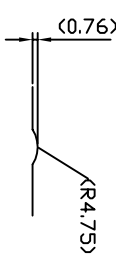
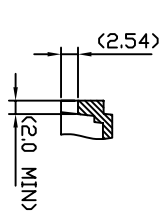
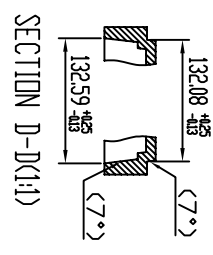
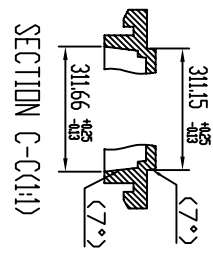
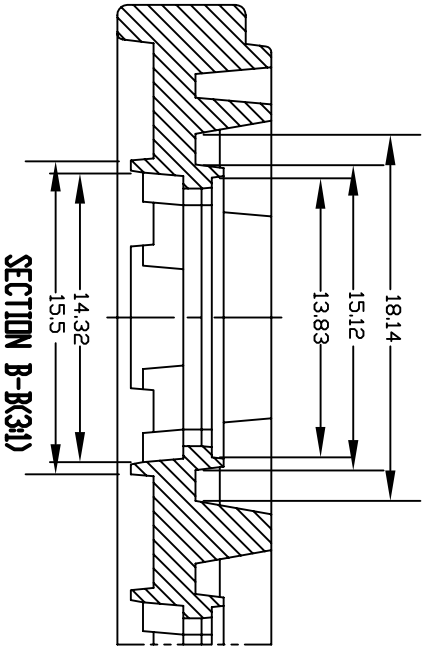
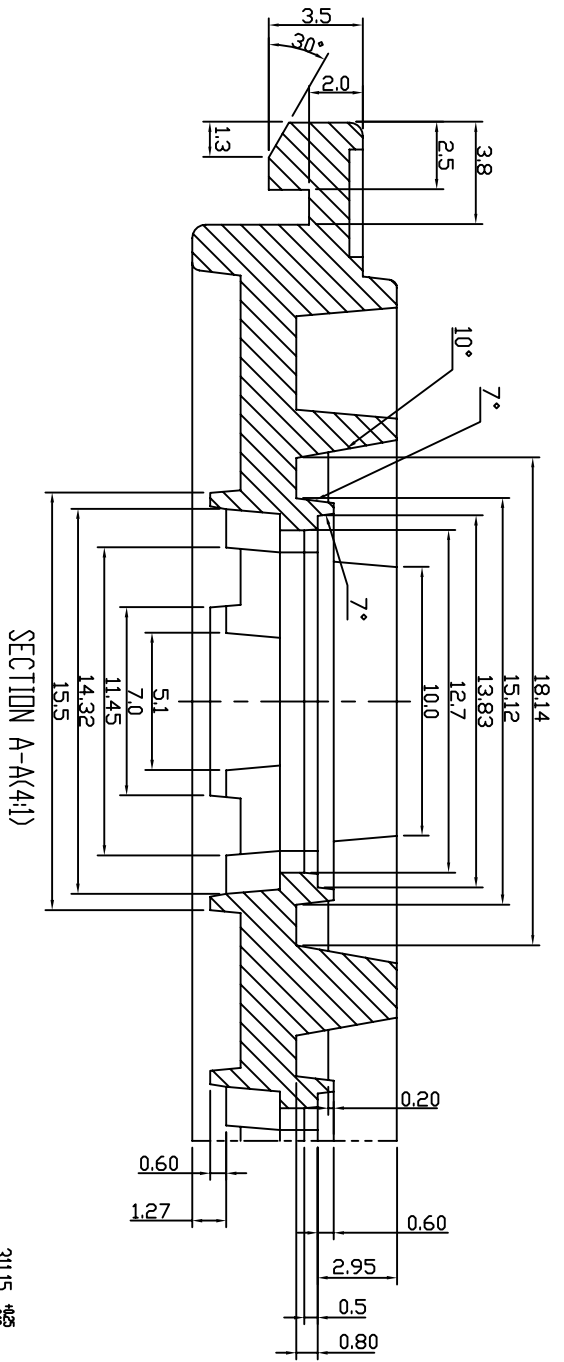
DO NOT SCALE DRAWING SHEET 1 OF 2

www.IDT.com 6024 Silver Creek Valley Road, San Jose, CA 95138
 PHONE: (408) 284-8200 FAX: (408) 284-5572

SCALE N/A SIZE B REV 06

FILE: MSC17011

REVISIONS			
REV	DESCRIPTION	DATE	APPROVED
05	REMOVED END CLIP IMPLEMENTATION	06/21/06	KK Three
06	ADDED NEW PACKAGE - DN/DNG 64	12/12/06	KK Three



SECTION E-E(1:1)

NOTE: SCALLOP IS CENTERED ON SIDE OF TRAY.
DETAIL F(1:1)


TRAY PURCHASING INFORMATION

* VENDOR & TRAY DESIGNATOR

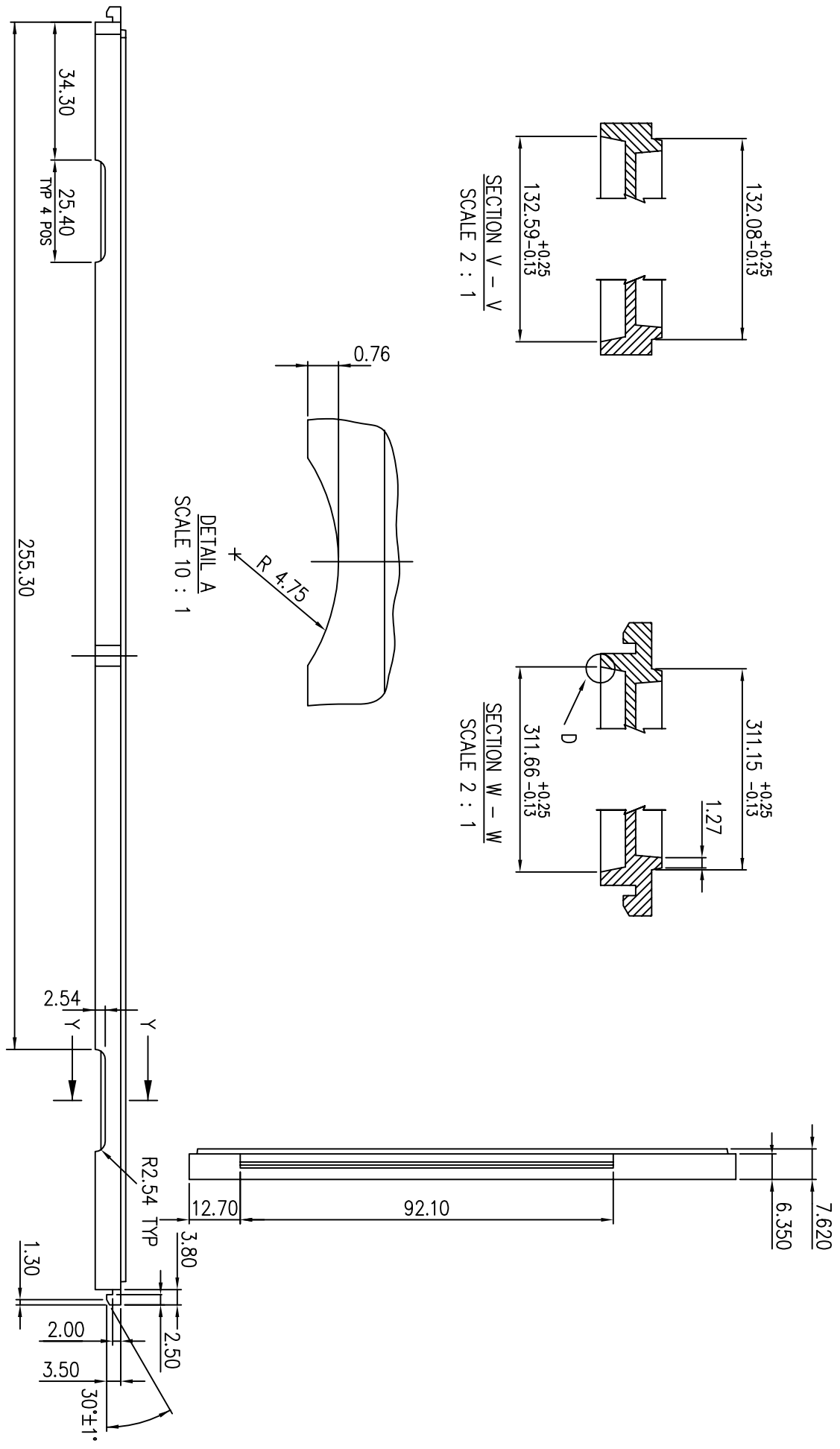
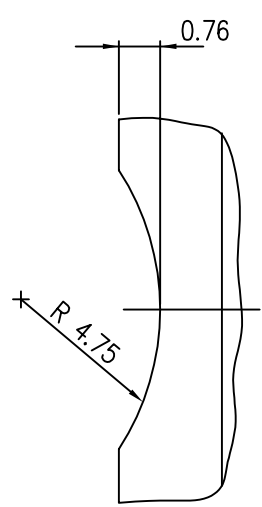
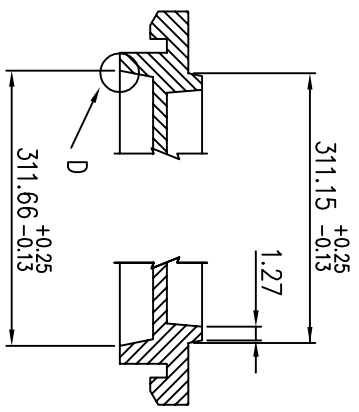
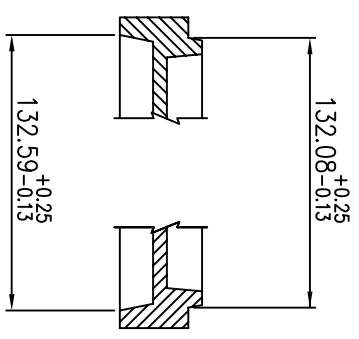
SHINDEN TRAY MADE IN JAPAN MQFP 14X14 2.7mm

* TEMPERATURE RATING & RECYCLE MARK & MATERIAL & PART NUMBER

150°C MAX. PPE+CF STP-MQ141427J-1

TOLERANCES UNLESS OTHERWISE SPECIFIED		ANGLE	
DECIMALS	±.25	°	±.5°
X ±.13			
XXX ±.13			
APPROVALS	DATE	TITLE:	
DRAWN		DN/DNG 52/64	
CHECKED		SHIPPING TRAY	
		STOCK NO.	DRAWING NO.
		P7-148-000	MSC-1717
		DO NOT SCALE DRAWING	SHEET 2 OF 2
 6024 Silver Creek Valley Road, San Jose, CA 95138 PHONE: (408) 284-8200 FAX: (408) 284-3572 www.idt.com		SCALE	REV
		N/A	06
		B	

REVISIONS			
REV	DESCRIPTION	DATE	APPROVED
00	INITIAL RELEASE	08/02/07	KK Thee



TOLERANCES UNLESS OTHERWISE SPECIFIED
DECIMALS .XX ±.13
.XXX ±.13
XXX ±.13

ANGLE ±.5°

APPROVALS DATE

DRAWN

CHECKED

TITLE: DN/DNG 52/64 SHIPPING TRAY

STOCK NO. P7-229-0001 MSC-5758

DRAWING NO. 00

REV B

SCALE N/A

SIZE B

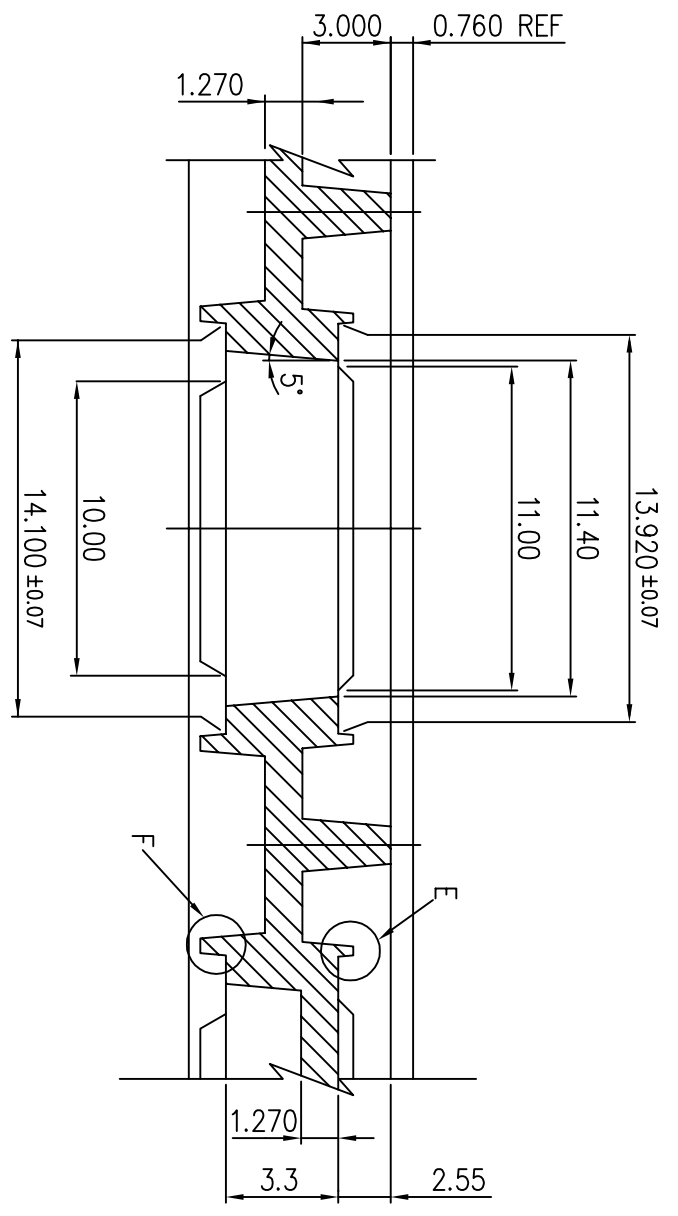
FILE: MSC17011

DO NOT SCALE DRAWING

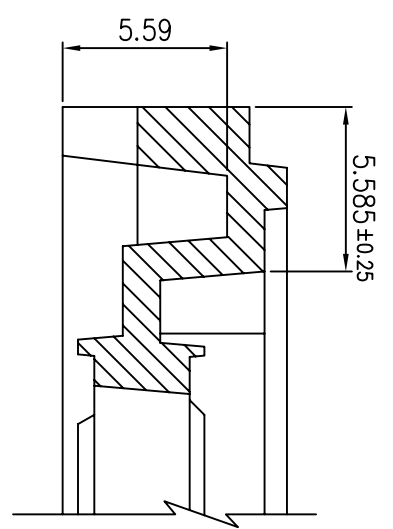
SHEET 2 OF 4

IDT 6024 Silver Creek Valley Road, San Jose, CA 95138
PHONE: (408) 284-8200 FAX: (408) 284-3572
www.IDT.com

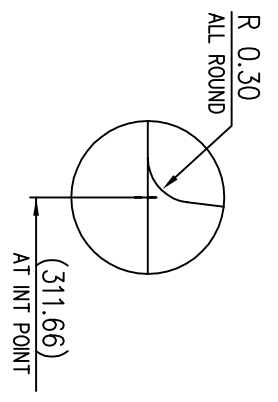
REVISIONS			
REV	DESCRIPTION	DATE	APPROVED
00	INITIAL RELEASE	08/02/07	KK Three



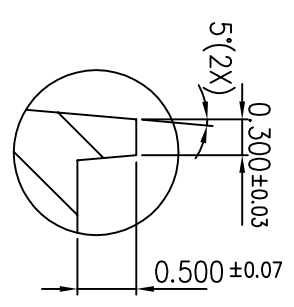
SECTION X - X
SCALE 5 : 1



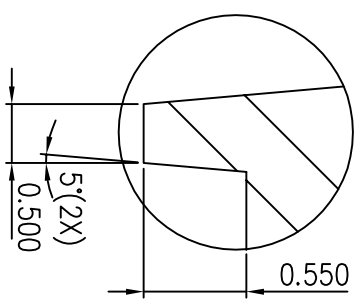
SECTION Y-Y
SCALE 5 : 1



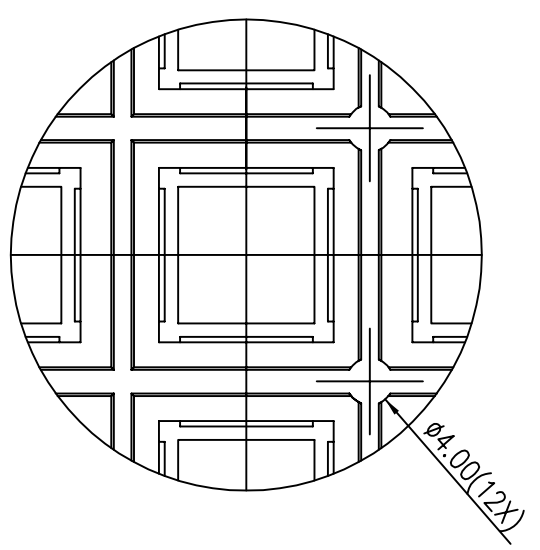
DETAIL D
SCALE 20 : 1



DETAIL E
SCALE 20 : 1



DETAIL F
SCALE 20 : 1



DETAIL B
SCALE 2:1

TOLERANCES UNLESS OTHERWISE SPECIFIED
 DECIMALS .XX ±.13
 .XXX ±.13
 ANGLES ±.5°

APPROVALS _____ DATE _____

DRAWN _____

CHECKED _____

STOCK NO. P7-229-0001 MSC-5758

DRAWING NO. 00

REV B

SCALE N/A

SIZE B

REV 00



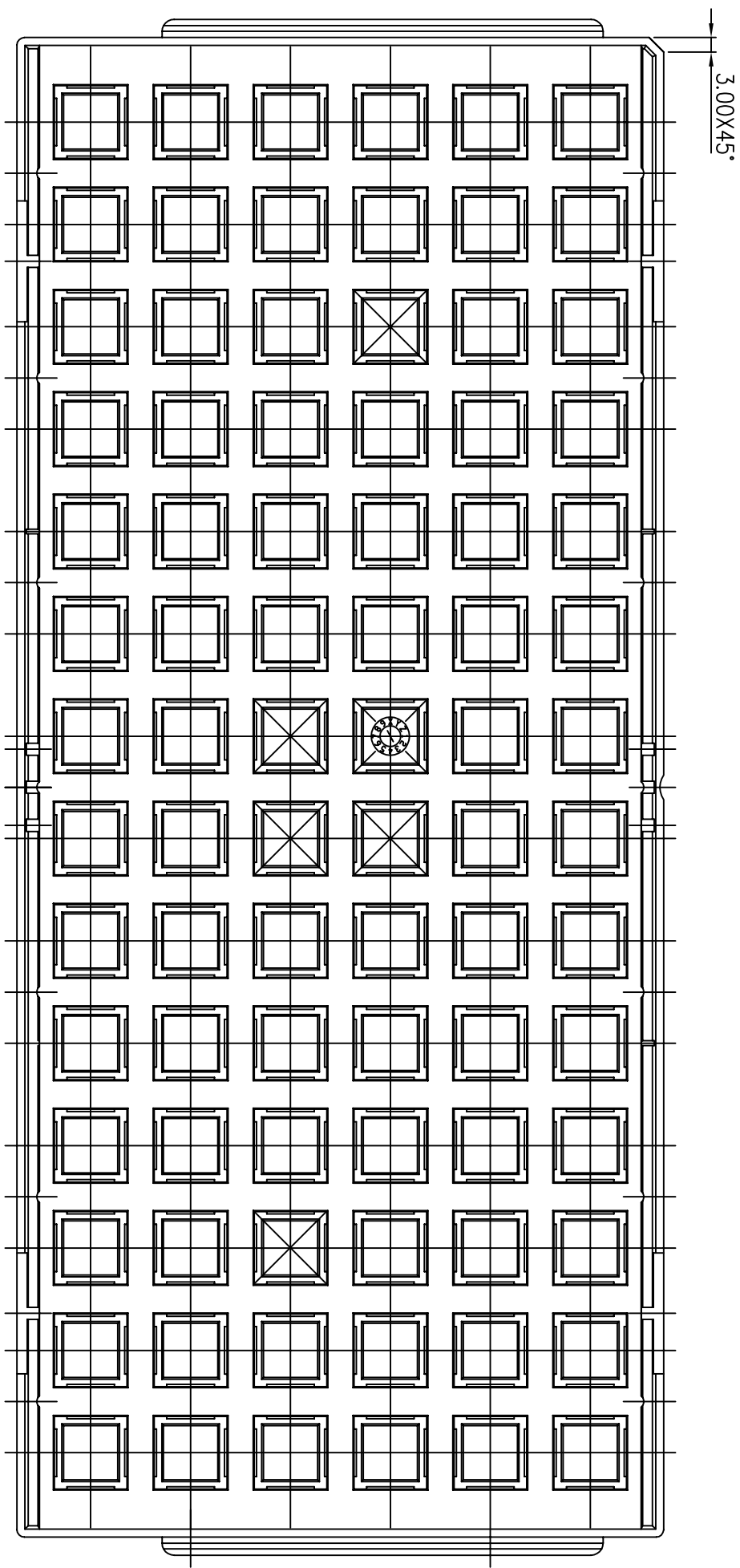
6024 Silver Creek Valley Road
 San Jose, CA 95138
 PHONE: (408) 284-8200
 FAX: (408) 284-3572

WWW.IDT.COM

TITLE: DN/DNG 52/64 SHIPPING TRAY

FILE: MSC17011 DO NOT SCALE DRAWING SHEET 3 OF 4

REVISIONS			
REV	DESCRIPTION	DATE	APPROVED
00	INITIAL RELEASE	08/02/07	KK Thee



TOLERANCES UNLESS OTHERWISE SPECIFIED
 DECIMALS .XX ±.13
 .X ±.25
 .XX ±.13
 .XXX ±.13

ANGLE ±.5°

APPROVALS DATE

DRAWN

CHECKED

STOCK NO. P7-229-0001
 DRAWING NO. MSC-5758
 REV 00

SCALE N/A
 SIZE B

www.IDT.com

6024 Silver Creek Valley Road
 San Jose, CA 95138
 PHONE: (408) 284-8200
 FAX: (408) 284-3572

FILE: MSC1701

DO NOT SCALE DRAWING

SHEET 4 OF 4