

10W Mono Class D amplifier for 2S battery operated portable devices



Features

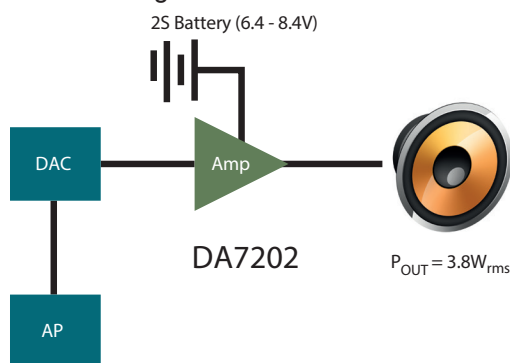
- 10W Mono Filterless Class D Speaker Driver
- Good PSRR and THD+N by using Analogue loop filter
- Differential Audio inputs
- Low EMI by using Spread Spectrum Modulation
- Short circuit and thermal overload protection with auto recovery
- 9 bump WLCSP package

Functions

- P_{rms} : 3.8W into 8Ω load @ 8.2V, 1% THD+N
- Efficiency: 90% @ $P_{out}=3.5W$ @ 8.2V, 8Ω
- SNR (A-weighted) 104dB
- THD+N: 90dB
- PSRR: 78dB
- Fixed 18db gain or adjustable with external resistors
- 4.5 – 9.0V Input battery supply

Applications

- Ultrabooks
- Tablets
- Personal Navigation Devices
- Speaker Accessories
- Handheld Gaming



Audio systems diagram

Description

DA7202 is a powerful, highly efficient, low EMI Class D speaker driver that can drive a maximum of 10W into 8Ω loads directly from a 2S lithium-ion battery pack.

DA7202 is a 9 bump WL-CSP standalone high performance switched mode mono Class-D audio amplifier targeted to power a variety of two cell portable applications such as Ultrabooks™ and tablets.

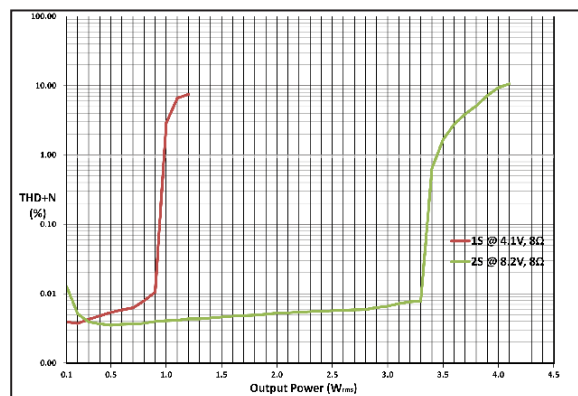
DA7202 is a fully-differential amplifier architecture that includes PWM modulator and a H-Bridged switched power output stage. The analogue outputs from the H-Bridged stage that delivers 3.8 W_{rms} into 8Ω load @ 8.2V and making the speaker sound 'louder' for portable devices.

A spread-spectrum triangular wave is generated internally to drive the PWM modulator to allow high efficiency ~ 90% and low EMI performance. Robust short circuit and thermal overload protection prevent device damage during a fault condition.

The DA7202 can enable direct battery connection to the speaker where all the front end blocks are directly connected to a regulated voltage VLDO. DA7202 direct connection to a 2S battery pack enables a more powerful output drive and maintains a high Class D efficiency from the battery. The gain can be varied by using external resistors to reduce output signal level to the speaker or alternatively by the default fixed gain of 18dB.

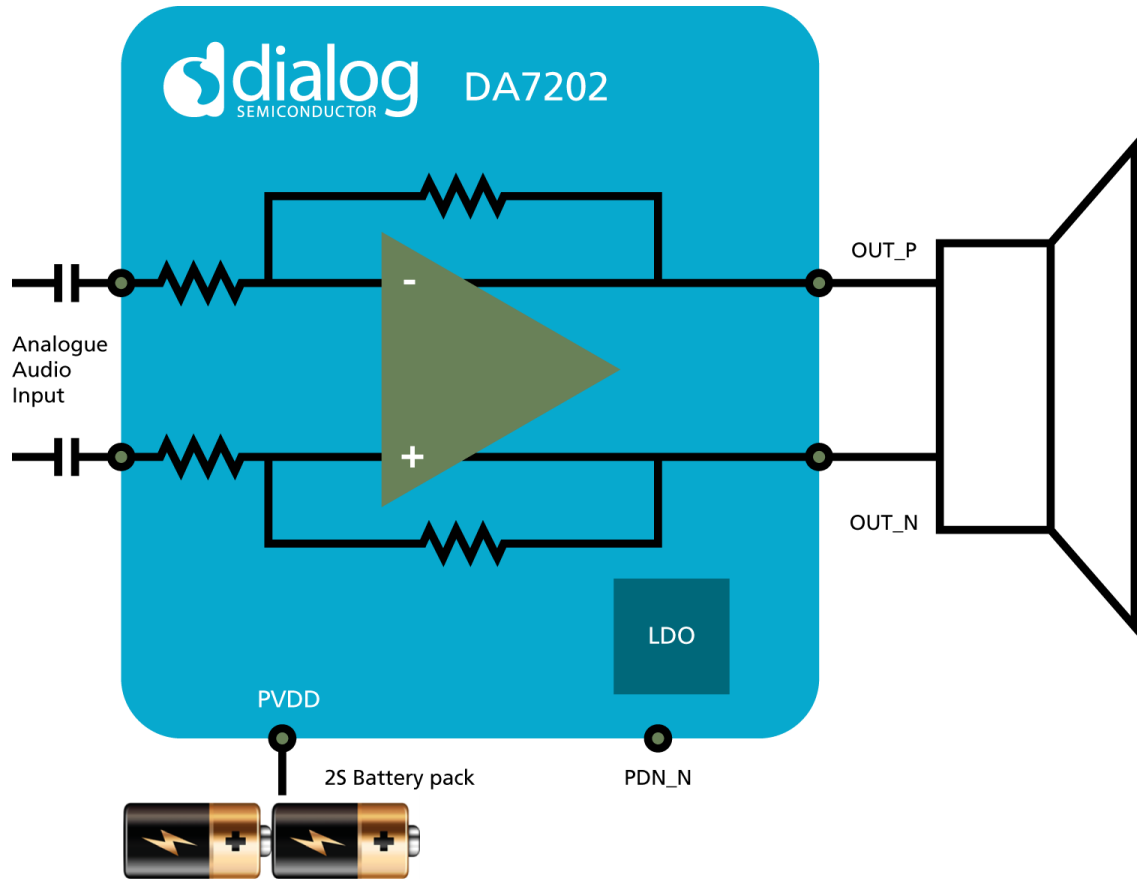
DA7202 includes pop/click suppression circuitry to suppress audible pops/clicks at the speaker output.

The DA7202 is available in 9 bump WLCSP package, 0.5mm pitch that enables low cost PCB technology which is ideal for portable applications that require small footprints.



THD+N vs Output Power for different battery configurations

Block Diagram



Contacting Dialog Semiconductor

United Kingdom

Dialog Semiconductor (UK) Ltd
Phone: +44 1793 757700

Germany

Dialog Semiconductor GmbH
Phone: +49 7021 805-0

The Netherlands

Dialog Semiconductor B.V.
Phone: +31 73 640 88 22

North America

Dialog Semiconductor Inc.
Phone: +1 408 845 8500

Japan

Dialog Semiconductor K. K.
Phone: +81 3 5425 4567

Taiwan

Dialog Semiconductor Taiwan
Phone: +886 8178 6222

Singapore

Dialog Semiconductor Singapore
Phone: +65 64849929

Hong Kong

Dialog Semiconductor Hong Kong
Phone: +852 2607 4271

Korea

Dialog Semiconductor Korea
Phone: +82 2 3469 8200

Email

enquiry@diasemi.com

Web site:

www.dialog-semiconductor.com

Disclaimer

Information in this document is believed to be accurate and reliable. However, Dialog Semiconductor does not give any representations or warranties, expressed or implied, as to the accuracy or completeness of such information. Dialog Semiconductor furthermore takes no responsibility whatsoever for the content in this document if provided by any information source outside of Dialog Semiconductor.

Dialog Semiconductor reserves the right to change without notice the information published in this document, including without limitation the specification and the design of the related semiconductor products, software and applications.

A Customer notes that nothing in this document may be construed as a license for customer to use the Dialog Semiconductor products, software and applications referred to in this document. Such license must be separately sought by customer with Dialog Semiconductor. All use of Dialog Semiconductor products, software and applications referred to in this document are subject to Dialog Semiconductor's [Standard Terms and Conditions of Sale](#), unless otherwise stated.