

RZ Ecosystem Partner Solution

Reloc Single Board Computer



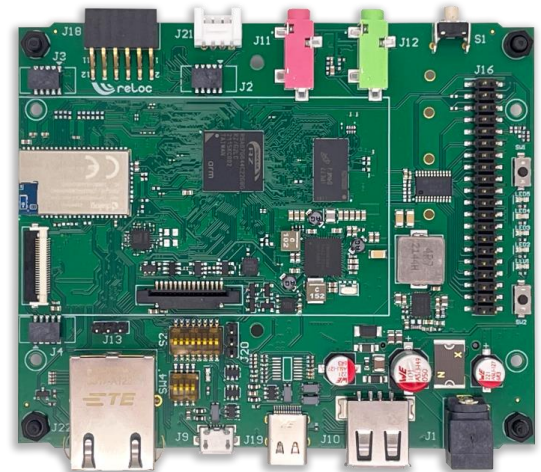
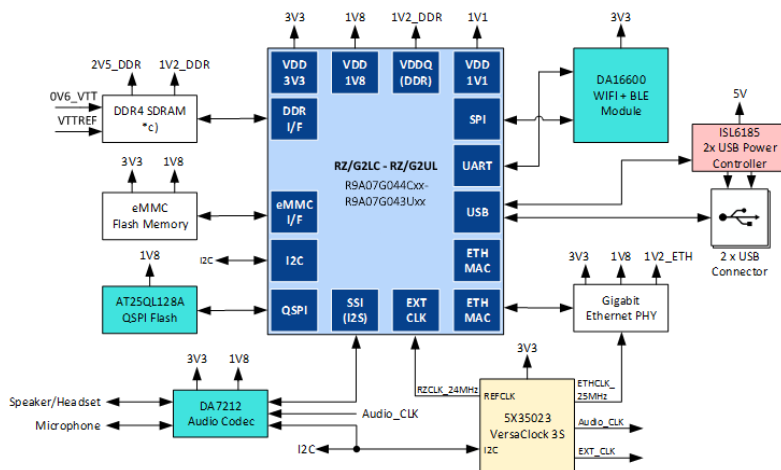
Solution Summary

RB-RZLC and RB-RZUL are compact Single Board Computers (SBCs) based on Renesas [RZ/G2LC](#) and [RZ/G2UL](#) microprocessors. The boards include complete wireless connectivity (Wi-Fi and Bluetooth) and on-board audio codec. RB-RZLC and RB-RZUL are targeted for applications where proven reliability, highly flexible networking and high-energy efficiency are key requirements.

Features/Benefits

- Single 1.0GHz or dual core 1.2 GHz Cortex-A55 + 200MHz Cortex-M33
- 1GB DDR4 SDRAM, 16GB eMMC, 128MB QSPI Flash, uSD connector
- Renesas DA16600MOD Wi-Fi 802.11b/g/n and Bluetooth v5.1
- Supports MIPI-CSI camera and 2-lane MIPI-DSI display
- Renesas DA7212 ultra-low power audio IC
- Gbit Ethernet, 2x USB 2.0, M.2 Key-B, PMOD host, Grove and 40 pin GPIO header
- Single 12V / 24V power supply

Diagrams/Graphics



Target Markets and Applications

- Gateway
- Smart Metering
- Smart Camera
- Audio Networking
- Smart Management Systems
- Industrial Monitoring and Control

[RB-RZLC / RB-RZUL @ RELOC.it](#)

YOUR PARTNER FOR Embedded Design & Internet-of-Things Solutions

RELOC provides customers with tailored end-to-end Internet-of-Things (IoT) solutions, starting from connected embedded devices to scalable cloud storage and services, exploiting reliable communications and deploying cross-platform mobile applications.

We support our customers by building solutions tailored on their specific needs, providing:

- Technology scouting
- Design of embedded hardware, based on a wide range of technologies (MCU, MPU, FPGA, DSP)
- Development of embedded firmware based on simple schedulers or multi-thread RTOS
- Focus on wireless connectivity, for industrial and consumer IoT, based on any radio protocol (BLE, ZigBee, Wi-Fi, Thread, 6LoWPAN, sub-GHz, cellular 2G/3G/LTE, LoRa, etc.)
- Integration with cloud services and mobile APPS to collect and process gathered data
- Support for test plan definition and certification process.

Why you should connect your products to the internet?

- 1 Engage your customers with new services
- 2 Save resources and stay competitive
- 3 Collect market data to optimize products
- 4 Create innovative product lines

