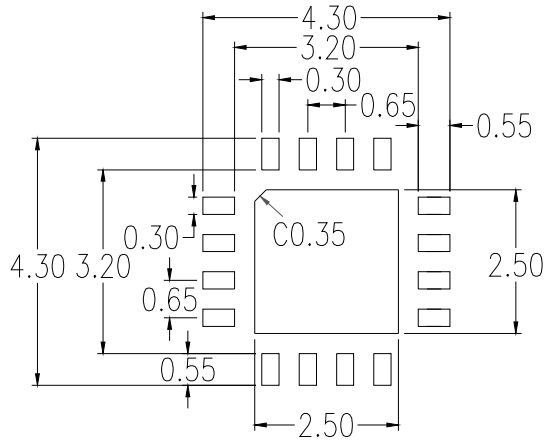


NOTES:

1. ALL DIMENSIONS IN MM.
2. THE DIMENSION AND TOLERANCING MEET ASME Y-14.5M-1994

### 16-VFQFPN, Package Outline Drawing

4.0 x 4.0 x 0.75 mm Body, 0.65mm Pitch, Epad 2.50 x 2.50 mm  
 NBT16P1, PSC-4809-01, Rev 01, Page 2



RECOMMENDED LAND PATTERN DIMENSION

NOTES:

1. ALL DIMENSIONS IN MM.ANGLES IN DEGREES.
2. TOP DOWN VIEW, AS VIEW ON PCB.
3. LAND PATTERN RECOMMENDATION AS PER IPC-7351B.  
 GENERIC REQUIREMENT FOR SURFACE MOUNT DESIGN AND LAND PATTERN.

Package Revision History		
Date Created	Rev No.	Description
June 13, 2021	Rev 01	Coplanarity change and update to Renesas Logo
May 06, 2019	Rev 00	Initial Release