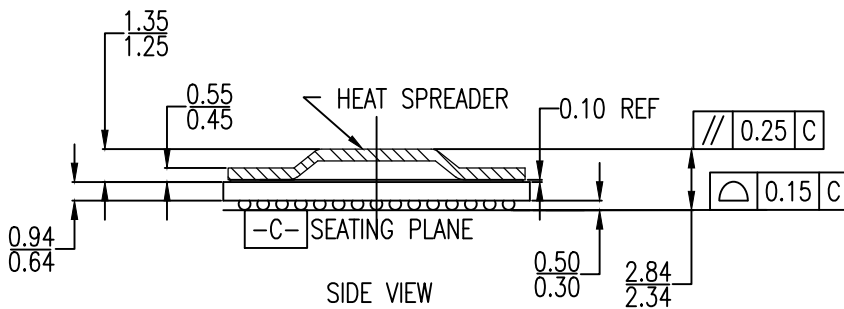


TOP VIEW

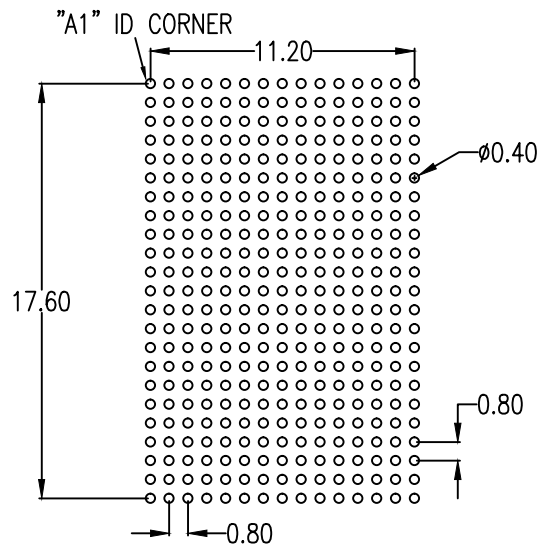
BOTTOM VIEW



SIDE VIEW

BALL PITCH	0.80
SUBSTRATE THICKNESS	0.79
BALL DIAMETER	0.50

NOTE:  
1. ALL DIMENSIONS ARE IN MM, ANGLES IN DEGREES.



RECOMMENDED LAND PATTERN DIMENSION

NOTE:

1. ALL DIMENSIONS ARE IN MM, ANGLES IN DEGREES.
2. LAND PATTERN RECOMMENDATION AS PER IPC-7351  
GENERIC REQUIREMENT FOR SURFACE MOUNT AND LAND PATTERN

Package Revision History		
Date Created	Rev No.	Description
April 24, 2018	Rev 01	New Format
Nov 02, 2016	Rev 00	Initial Release