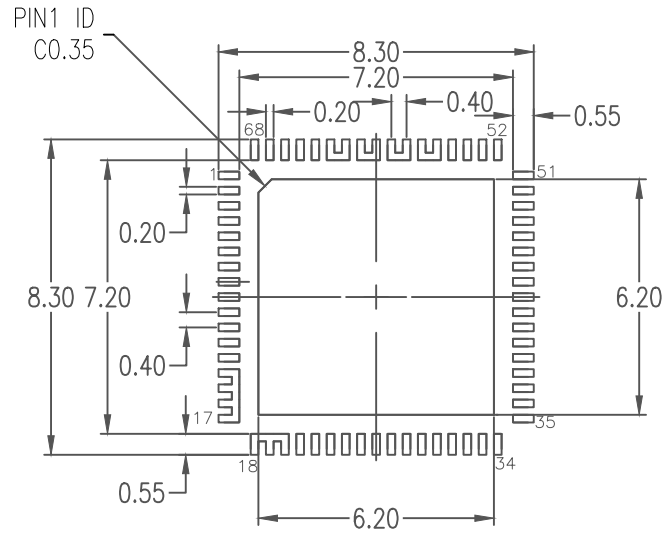


- NOTES :
- 1.ALL DIMENSIONS ARE IN MILLIMETERS.
 - 2.DIMENSIONING & TOLERANCES CONFORM TO ASME Y14.5M. -1994.
 - 3.THE PIN #1 IDENTIFIER MUST BE PLACED ON THE TOP SURFACE OF THE
 - 4.PACKAGE WARPAGE MAX 0.08 mm.

68-VFQFPN, Package Outline Drawing

8.0 x 8.0 x 0.75 mm Body, 0.4mm Pitch, Epad 6.20 x 6.20 mm, Fuse Leads

NTG68F1, PSC-4456-02, Rev 04, Page 2



RECOMMENDED LAND PATTERN

NOTES:

1. ALL DIMENSIONS ARE IN MM. ANGLES IN DEGREES.
2. TOP DOWN VIEW, AS VIEWED ON PCB.
3. LAND PATTERN RECOMMENDATION PER IPC-7351B GENERIC REQUIREMENT FOR SURFACE MOUNT DESIGN AND LAND PATTERN.

Package Revision History		
Date Created	Rev No.	Description
Feb 13, 2018	Rev 03	New Format, Change QFN to VFQFPN
Oct 4, 2018	Rev 04	Correct Exploded Size Dimension on Fused Lead