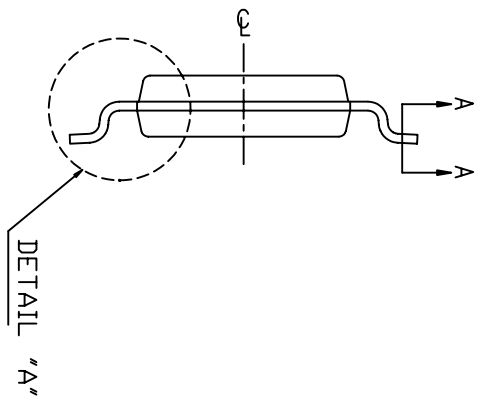
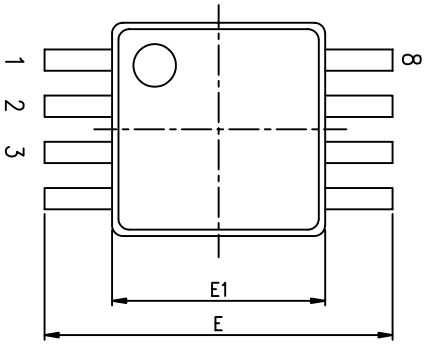
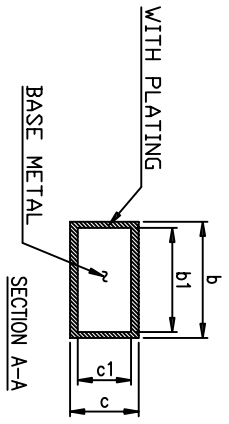
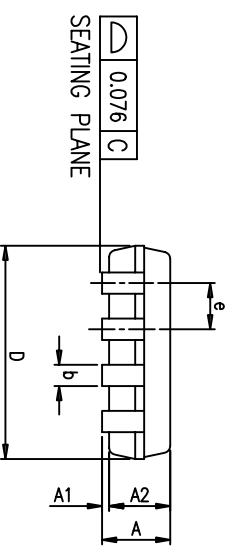


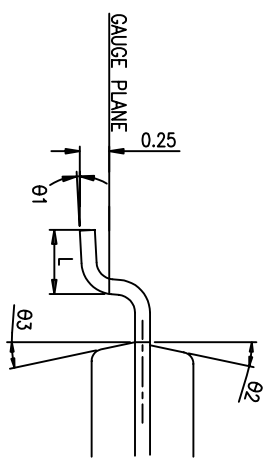
REVISIONS			
REV	DESCRIPTION	DATE	APPROVED
00	INITIAL RELEASE	8/29/08	RT
01	UPDATE DIM TO BE JEDEC COMPLIANT	7/31/12	R. Togh
02	COMBINE POD & LAND PATTERN	7/23/13	KS



SYMBOL	DIMENSION IN MM		
	MIN.	NOM.	MAX.
A	---	---	1.10
A1	0.00	---	0.15
A2	0.75	0.85	0.95
c	0.08	---	0.23
c1	0.08	---	0.18
D	2.80	3.00	3.20
E1	2.80	3.00	3.20
E	4.90 BSC		
L	0.400	0.600	0.800
$\theta 1$	0°		8°



SYMBOL	8L			10L		
	MIN.	NOM.	MAX.	MIN.	NOM.	MAX.
b	0.22	---	0.38	0.17	---	0.27
b1	0.22	0.30	0.33	0.17	0.20	0.23
e	0.65 BSC			0.50 BSC		
JEDEC	MO-187AA			MO-187		



SCALE 25:1

TOLERANCES UNLESS SPECIFIED
DIMENSIONS ARE IN MILLIMETERS
DIMENSIONS ARE IN INCHES UNLESS
SPECIFIED OTHERWISE
DECIMALS ANGLES
XXX.01 XXX±.005 ±.1°
SERIAL ENDS ONLY ±.005
SURFACES TO BE FREE OF BURRS,
SCARFES, CHIPS, AND DENTS,
THIRD ANGLE PROJECTION

APPROVALS
DRAWN *224C* DATE 08/28/08
CHECKED

SIZE DRAWING No. PSC-4163
DO NOT SCALE DRAWING

REV 02

8024 Silver Creek Valley Road
San Jose CA 95138
PHONE: (408) 284-8200
FAX: (408) 284-8591

www.IDT.com

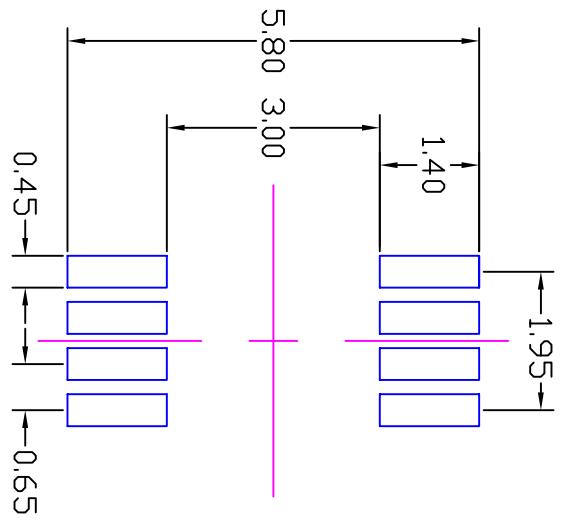
3.0 x 3.0 mm BODY
TSSOP

DATE 08/29/08

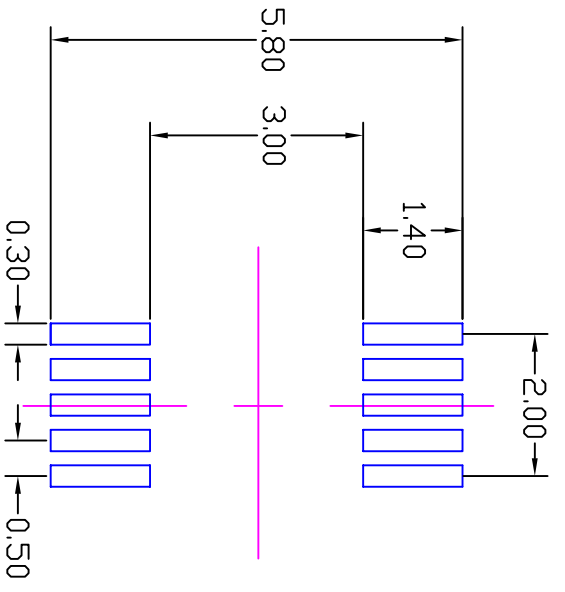
REV 02

SHEET 1 OF 2

REVISIONS			
REV	DESCRIPTION	DATE	APPROVED
00	INITIAL RELEASE	8/29/08	RT
01	UPDATE DIM TO BE JEDEC COMPLIANT	7/31/12	R. Tanh
02	COMBINE POD & LAND PATTERN	7/23/13	KS



N=8



N=10

RECOMMENDED LAND PATTERN

- NOTES:
1. ALL DIMENSION ARE IN mm. ANGLES IN DEGREES.
 2. TOP DOWN VIEW. AS VIEWED ON PCB.
 3. LAND PATTERN IN BLUE. NSMD PATTERN ASSUMED.
 4. LAND PATTERN RECOMMENDATION PER IPC-7351B GENERIC REQUIREMENT FOR SURFACE MOUNT DESIGN AND LAND PATTERN.

APPROVALS DRAWN: <i>dalg</i> CHECKED:		DATE 06/29/08	SIZE C	DRAWING No. PSC-4163	REV 02
DIMENSIONS UNLESS SPECIFIED DIMENSIONS ARE IN MILLIMETERS DIMENSIONS APPLY AFTER FINISH. TOLERANCES ARE: DECIMALS: .005 .008 .012 .015 FRACTIONS: 1/16 1/8 1/4 1/2 SURFACE FINISHES: 12/1 BREAK EDGES: 0.10 MAX SURFACES TO BE FREE OF BURRS, SCRAPES, CHIPS, AND DENTS. THIRD ANGLE PROJECTION					
		8024 Silver Creek Valley Road San Jose CA 95138 PHONE: (408) 284-8200 FAX: (408) 284-8591 www.IDT.com			
TITLE: DV/DWG PACKAGE OUTLINE 3.0 x 3.0 mm BODY TSSOP					
DO NOT SCALE DRAWING			SHEET 2 OF 2		