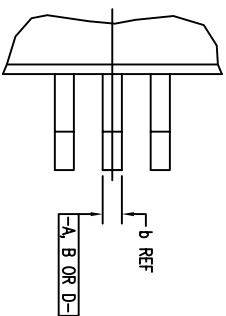
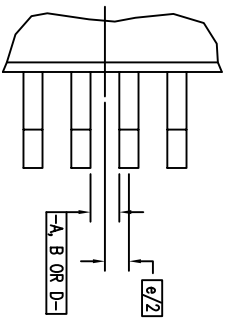


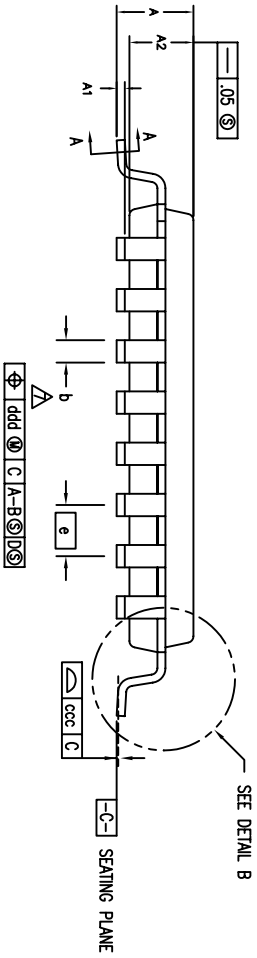
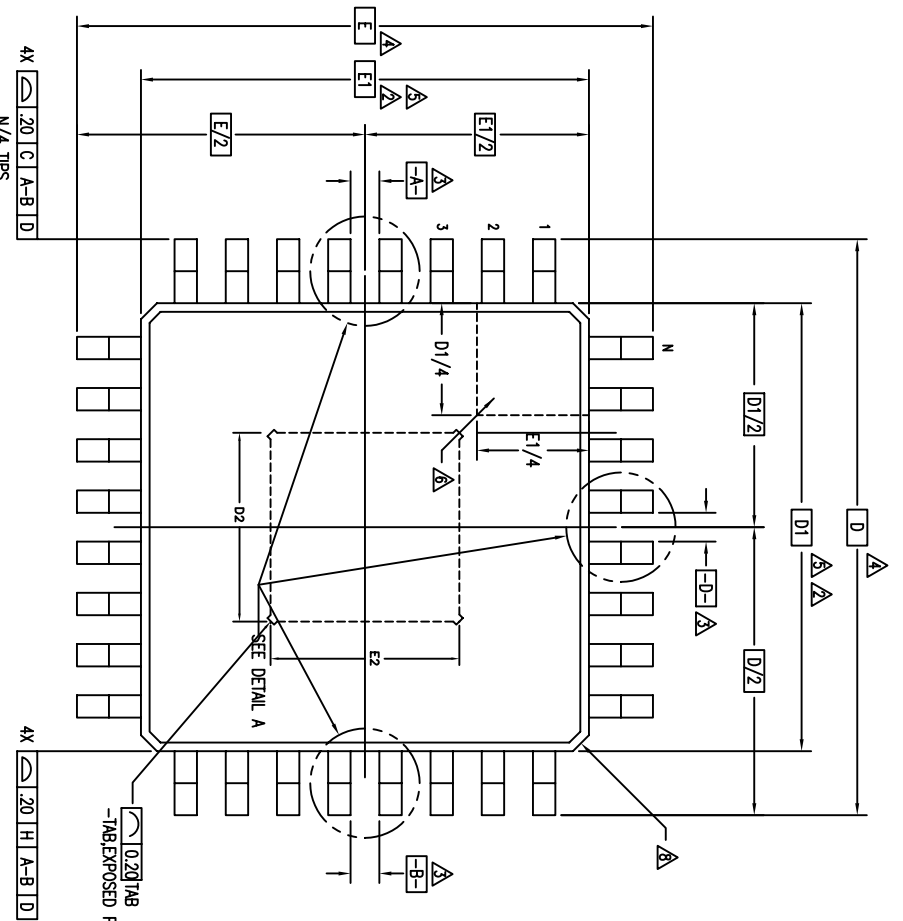
REVISIONS			
REV	DESCRIPTION	DATE	APPROVED
00	INITIAL RELEASE	5/7/09	R.T
01	ADD TAB ON 4 CORNER EPAD	3/3/10	R.T
02	ADD OPTION E2/D2: 5.3MM SQ.	2/23/11	OK LEE
03	ADD EPAD OPTION TABLE	12/10/12	RC
04	COMBINE POD & LAND PATTERN	8/14/13	KS

EVEN LEAD SIDES

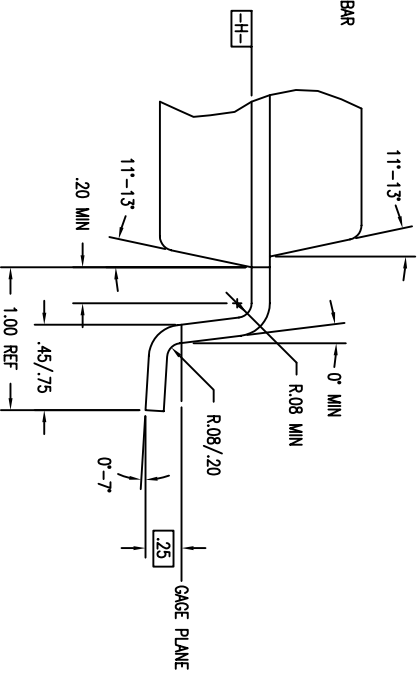
ODD LEAD SIDES



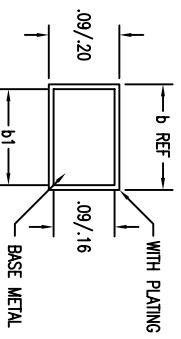
DETAIL A



DETAIL B



SECTION A-A



TOLERANCES UNLESS SPECIFIED		IDT™	
DECIMAL	ANGULAR	8024 Silver Creek Valley Rd San Jose, CA 95138 PHONE: (408) 284-8200 FAX: (408) 284-3572	
XXX±	±	www.IDT.com	
XXXX±		TITLE DX/DXG48 PACKAGE OUTLINE	
XXXX±		7.0 X 7.0 X 1.0 mm TOPP	
APPROVALS	DATE	SIZE C DRAWING No. PSC-4251	
DRAWN	20/05/09	DO NOT SCALE DRAWING	
CHECKED		SHEET 1 OF 3	
		REV 04	

REVISIONS			
REV	DESCRIPTION	DATE	APPROVED
00	INITIAL RELEASE	5/7/09	R.T
01	ADD TAB ON 4 CORNER EPAD	3/3/10	R.T
02	ADD OPTION E2/D2: 5.3MM SQ.	2/23/11	CK LEE
03	ADD EPAD OPTION TABLE	12/10/12	RC
04	COMBINE POD & LAND PATTERN	8/14/13	KS

EPAD OPTION:

Symbol	P1			P2			P3		
	MIN	NOM	MAX	MIN	NOM	MAX	MIN	NOM	MAX
D2	2.85	2.95	3.05	3.40	3.50	3.60	5.20	5.30	5.40
E2	2.85	2.95	3.05	3.40	3.50	3.60	5.20	5.30	5.40

NOTES:

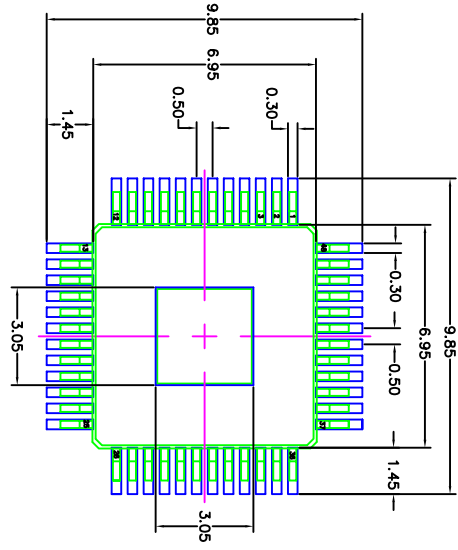
- 1 ALL DIMENSIONING AND TOLERANCING CONFORM TO ANSI Y14.5M-1982
- TOP PACKAGE MAY BE SMALLER THAN BOTTOM PACKAGE BY .15 mm
- DATUMS [A-B] AND [D-] TO BE DETERMINED AT DATUM PLANE [H-]
- DIMENSIONS D AND E ARE TO BE DETERMINED AT SEATING PLANE [C-]
- DIMENSIONS D1 AND E1 DO NOT INCLUDE MOLD PROTRUSION. ALLOWABLE MOLD PROTRUSION IS .25 mm PER SIDE. D1 AND E1 ARE MAXIMUM BODY SIZE DIMENSIONS INCLUDING MOLD MISMATCH
- DETAILS OF PIN 1 IDENTIFIER IS OPTIONAL BUT MUST BE LOCATED WITHIN THE ZONE INDICATED
- DIMENSION b DOES NOT INCLUDE DAMBAR PROTRUSION. ALLOWABLE DAMBAR PROTRUSION IS .08 mm IN EXCESS OF THE b DIMENSION AT MAXIMUM MATERIAL CONDITION. DAMBAR CANNOT BE LOCATED ON THE LOWER RADIUS OR THE FOOT.
- EXACT SHAPE OF EACH CORNER IS OPTIONAL
- THESE DIMENSIONS APPLY TO THE FLAT SECTION OF THE LEAD BETWEEN .10 AND .25 mm FROM THE LEAD TIP
- ALL DIMENSIONS ARE IN MILLIMETERS
- THIS OUTLINE CONFORMS TO JEDEC PUBLICATION 95 REGISTRATION MS-026, VARIATIONS BBA & BBC.

SYMBOL	JEDEC VARIATION			NOTE
	MIN	NOM	MAX	
A	-	-	1.20	
A1	.05	.10	.15	
A2	0.95	1.00	1.05	
D		9.00 BSC		4
D1		7.00 BSC		5,2
E		9.00 BSC		4
E1		7.00 BSC		5,2
N		48		
e		.50 BSC		
E2		SEE EPAD OPTION		
D2		SEE EPAD OPTION		
b	.17	.22	.27	7
b1	.17	.20	.23	
ccc	-	-	.08	
ddd	-	-	.08	

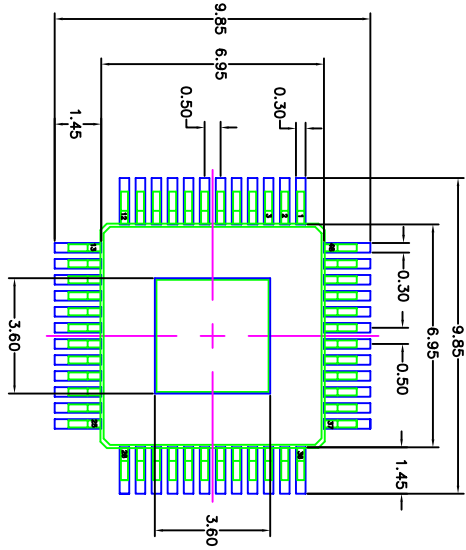
TOLERANCES		UNLESS SPECIFIED	
DECIMAL	ANGULAR	±	
XXX±	XXXX±	www.IDT.com	
APPROVALS	DATE	TITLE	
DRAWN 02/05/7/09		DX/DXG48 PACKAGE OUTLINE	
CHECKED		7.0 X 7.0 X 1.0 mm TOPP	
		1.00/.10 FORM	
SIZE	DRAWING No.	PSC-4251	REV
C			04
DO NOT SCALE DRAWING			SHEET 2 OF 3



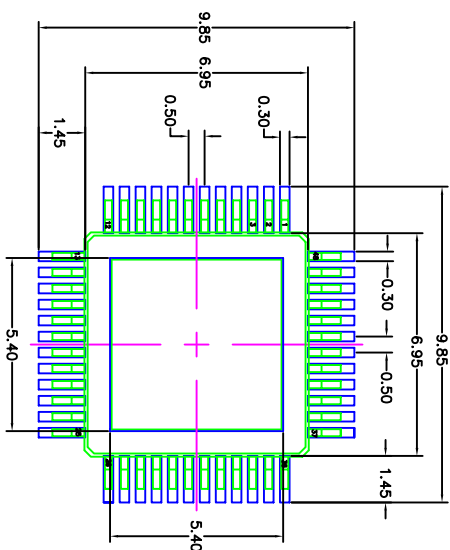
REVISIONS			
REV	DESCRIPTION	DATE	APPROVED
00	INITIAL RELEASE	5/7/09	R.T
01	ADD TAB ON 4 CORNER EPAD	3/3/10	R.T
02	ADD OPTION E2/D2: 5.3MM SQ.	2/23/11	CK LEE
03	ADD EPAD OPTION TABLE	12/10/12	RC
04	COMBINE POD & LAND PATTERN	8/14/13	KS



EPAD 2.95mm SQ



EPAD 3.50mm SQ



EPAD 5.30mm SQ

- NOTES:
1. ALL DIMENSION ARE IN mm. ANGLES IN DEGREES.
 2. TOP DOWN VIEW. AS VIEWED ON PCB.
 3. COMPONENT OUTLINE SHOW FOR REFERENCE IN GREEN.
 4. LAND PATTERN IN BLUE. NSMD PATTERN ASSUMED.
 5. LAND PATTERN RECOMMENDATION PER IPC-7351B GENERIC REQUIREMENT FOR SURFACE MOUNT DESIGN AND LAND PATTERN.

TOLERANCES UNLESS SPECIFIED		DECIMAL		ANGULAR	
XXXX±		±		°	
APPROVALS		DATE	TITLE	SIZE	DRAWING No.
DRAWN		08/15/7/09	DX/DXG48 PACKAGE OUTLINE	C	PSC-4251
CHECKED			7.0 X 7.0 X 1.0 mm TOP		REV 04
			1.00/.10 FORM		
DO NOT SCALE DRAWING		SHEET 3 OF 3			

6024 Silver Creek Valley Rd
San Jose, CA 95138
PHONE: (408) 284-8200
FAX: (408) 284-3572

WWW.IDT.COM