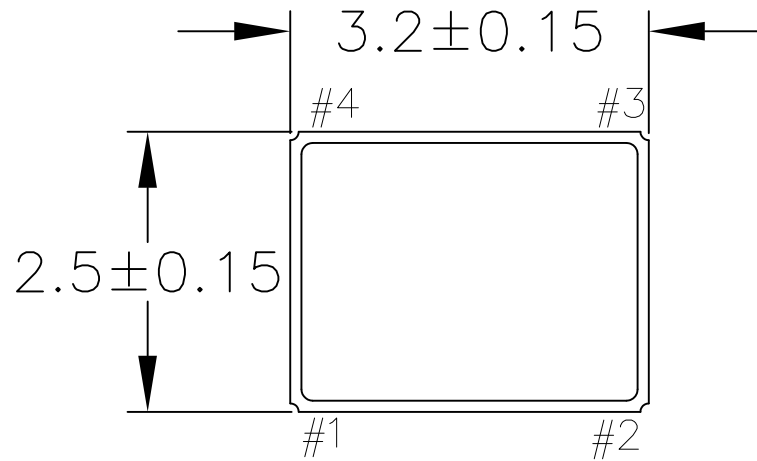
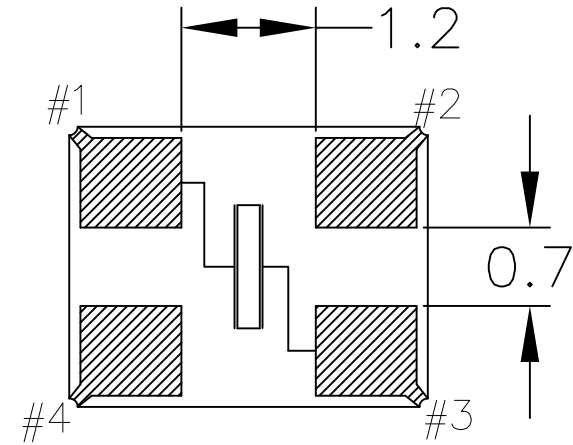


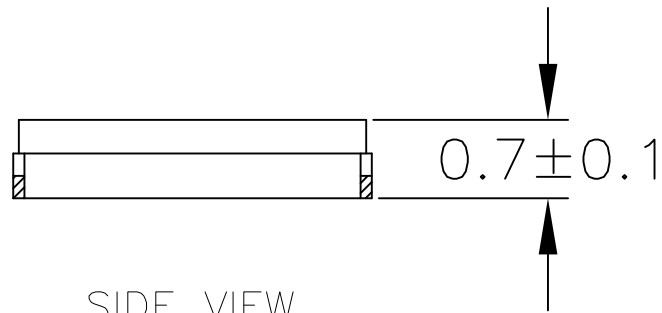
REVISIONS			
REV	DESCRIPTION	DATE	APPROVED
00	INITIAL RELEASE	2/5/15	J.HUA
01	ADD CRYSTAL	2/18/15	J.HUA
02	UPDATE PACKAGE DRAWING	11/24/15	J.HUA



TOP VIEW




BOTTOM VIEW



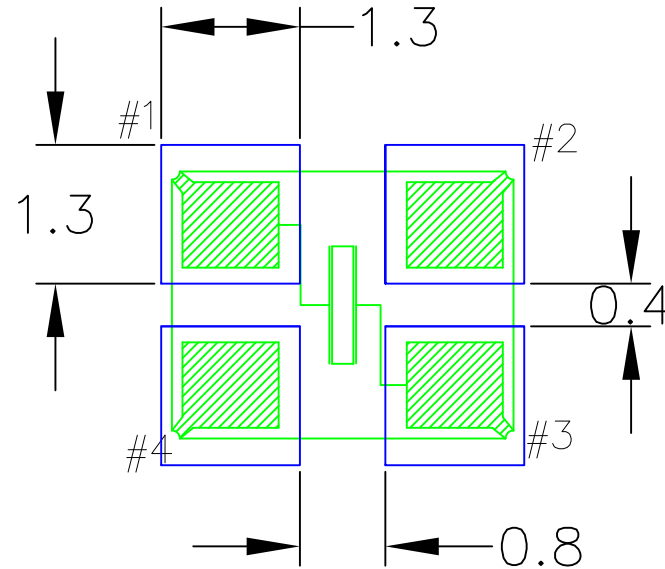
SIDE VIEW

NOTES:

1. ALL DIMENSIONS IN MM.

TOLERANCES UNLESS SPECIFIED		 6024 Silver Creek Valley Rd San Jose, CA 95138 PHONE: (408) 727-6116 FAX: (408) 492-8674		
DECIMAL	ANGULAR			
XX±	±	<b>www.IDT.com</b> TITLE JA4 PACKAGE OUTLINE 3.2 x 2.5 mm BODY 0.7 mm Thick CLCC		
XXX±				
XXXX±				
APPROVALS	DATE	SIZE	DRAWING No.	REV
DRAWN <i>BAC</i>	2/5/15	C	PSC-4499	02
CHECKED		DO NOT SCALE DRAWING		SHEET 1 OF 2


REVISIONS			
REV	DESCRIPTION	DATE	APPROVED
00	INITIAL RELEASE	2/5/15	J.HUA
01	ADD CRYSTAL	2/18/15	J.HUA
02	UPDATE PACKAGE DRAWING	11/24/15	J.HUA



## RECOMMENDED LAND PATTERN

### NOTES:

1. ALL DIMENSION ARE IN mm. ANGLES IN DEGREES.
2. TOP DOWN VIEW. AS VIEWED ON PCB.
3. COMPONENT OUTLINE SHOW FOR REFERENCE IN GREEN.
4. LAND PATTERN IN BLUE. NSMD PATTERN ASSUMED.
5. LAND PATTERN RECOMMENDATION PER IPC-7351B GENERIC REQUIREMENT FOR SURFACE MOUNT DESIGN AND LAND PATTERN.

TOLERANCES UNLESS SPECIFIED		 <b>www.IDT.com</b> 6024 Silver Creek Valley Rd San Jose, CA 95138 PHONE: (408) 727-6116 FAX: (408) 492-8674	
DECIMAL	ANGULAR		
XX±	±		
XXX±			
APPROVALS	DATE	TITLE	
DRAWN <i>RAC</i>	2/5/15	JA4 PACKAGE OUTLINE	
CHECKED		3.2 x 2.5 mm BODY	
		0.7 mm Thick CLCC	
	SIZE	DRAWING No.	REV
	C	PSC-4499	02
DO NOT SCALE DRAWING		SHEET 2 OF 2	