

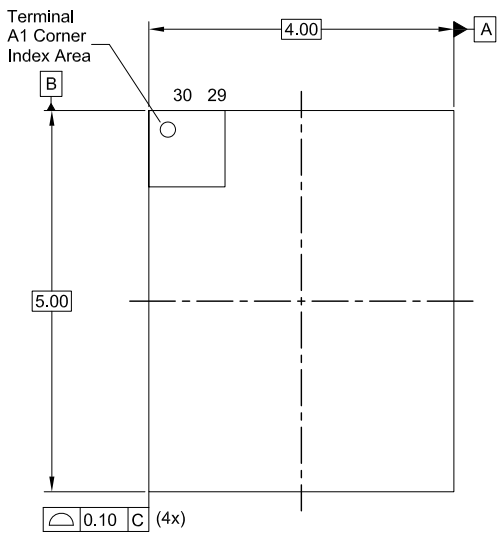
Plastic Packages for Integrated Circuits

Package Outline Drawing

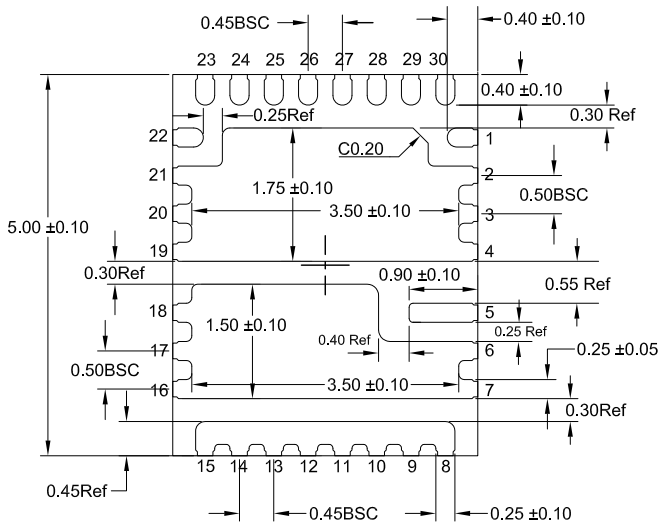
L30.4x5

30 Lead Power Quad Flat No-lead (PQFN) Plastic Package

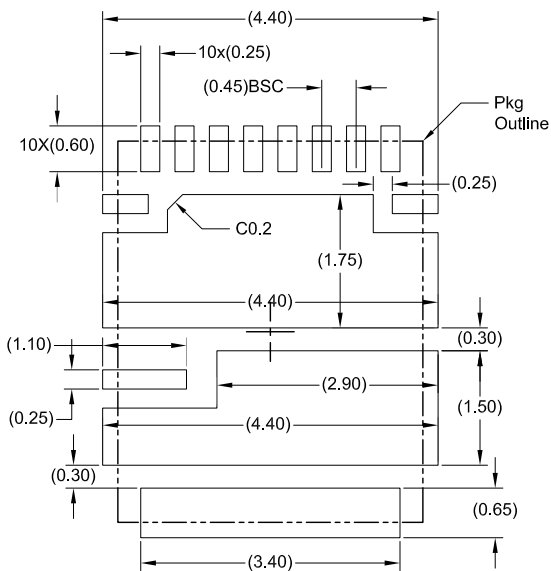
Rev 2, 11/2022



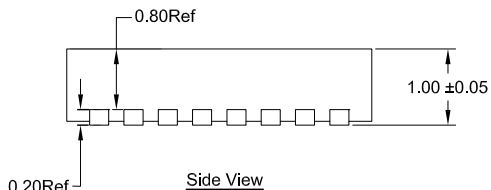
Top View



Bottom View



Recommended Land Pattern



Notes:

1. Dimensioning and tolerancing conforms to ASME Y14.5M - 1994.
2. All dimensions are in millimeters, Dimensions in () for reference only.