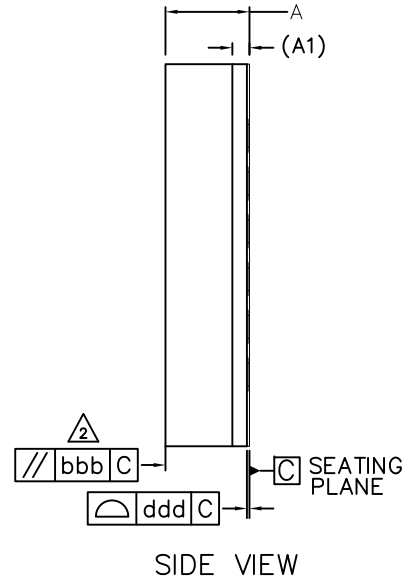
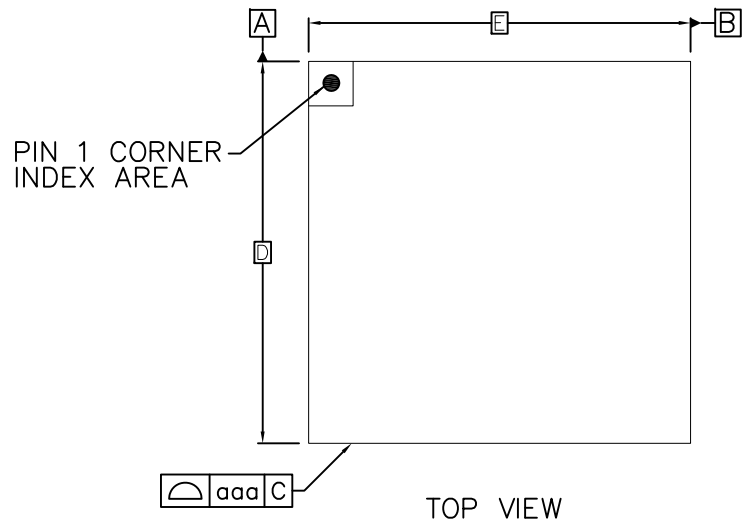
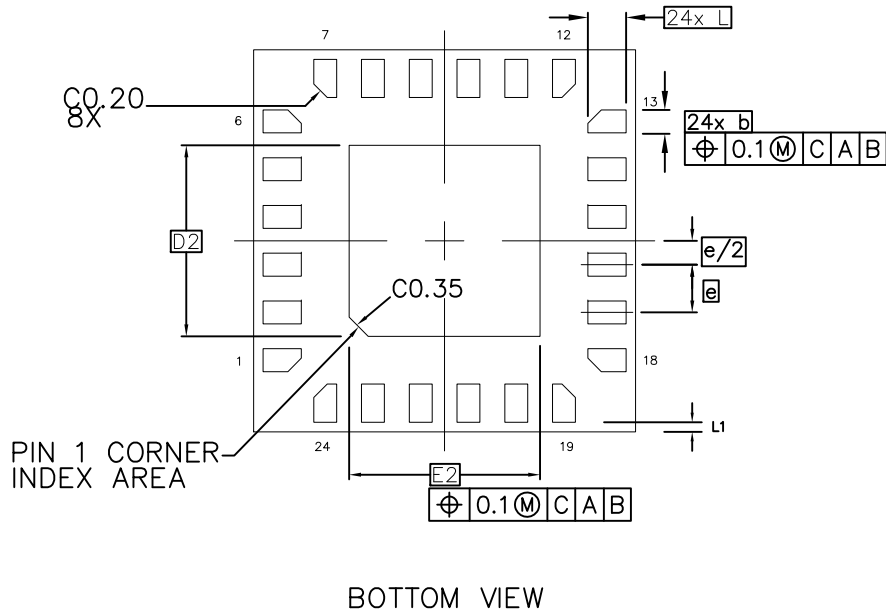


DATE		REVISIONS		
CREATED	REV	DESCRIPTION	AUTHOR	
1/27/17	00	INITIAL RELEASE	SRIKANTH	
REFER TO DCP FOR OFFICIAL RELEASE DATE				



SYMBOL	DIMENSIONS		
	MIN.	NOM.	MAX.
A	0.80	-	1.00
A1	0.18 REF.		
D	4.0 BSC		
E	4.0 BSC		
b	0.19	0.24	0.29
L	0.35	0.40	0.45
e	0.5 BSC		
D2	2.0 BSC		
E2	2.0 BSC		
L1	0.05	0.10	0.15
aaa	0.10		
bbb	0.10		
ddd	0.08		



NOTES:

- ALL DIMENSIONS IN MM.
- PARALLELISM MEASUREMENT SHALL EXCLUDE ANY EFFECT OF MARK ON TOP SURFACE OF PACKAGE.

TOLERANCES  
UNLESS SPECIFIED

DECIMAL	ANGULAR
XX±	±
XXX±	
XXXX±	

**IDT™** 6024 Silver Creek Valley Rd  
San Jose, CA 95138  
PHONE: (408) 727-6116  
[www.IDT.com](http://www.IDT.com) FAX: (408) 492-8674

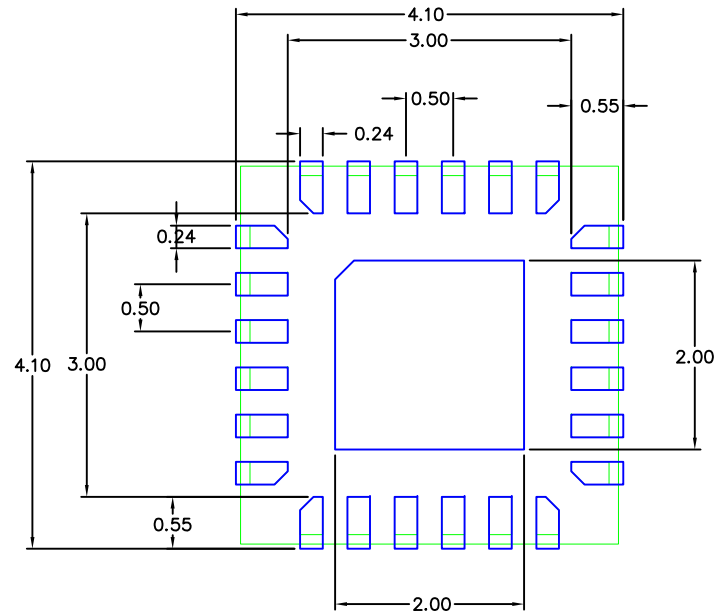
TITLE LDG24 PACKAGE OUTLINE  
4.0 x 4.0 mm BODY  
1.0 mm Thick, 0.5mm PITCH LGA

SIZE C	DRAWING No. PSC-4682	REV 00
-----------	-------------------------	-----------

DO NOT SCALE DRAWING

SHEET 1 OF 2


DATE		REVISIONS	
CREATED	REV	DESCRIPTION	AUTHOR
1/27/17	00	INITIAL RELEASE	SRIKANTH
REFER TO DCP FOR OFFICIAL RELEASE DATE			



### RECOMMENDED LAND PATTERN DIMENSION

#### NOTES:

1. ALL DIMENSIONS ARE IN MM. ANGLES IN DEGREES.
2. TOP DOWN VIEW. AS VIEWED ON PCB.
3. COMPONENT OUTLINE SHOWS FOR REFERENCE IN GREEN.
4. LAND PATTERN IN BLUE. NSMD PATTERN ASSUMED.
5. LAND PATTERN RECOMMENDATION PER IPC-7351B GENERIC REQUIREMENT FOR SURFACE MOUNT DESIGN AND LAND PATTERN.

TOLERANCES UNLESS SPECIFIED		 <b>IDT™</b> www.IDT.com 6024 Silver Creek Valley Rd San Jose, CA 95138 PHONE: (408) 727-6116 FAX: (408) 492-8674
DECIMAL	ANGULAR	
XX±	±	
XXX±		
XXXX±		
TITLE		LDG24 PACKAGE OUTLINE 4.0 x 4.0 mm BODY 1.0 mm Thick, 0.5mm PITCH LGA
SIZE	DRAWING No.	REV
C	PSC-4682	00
DO NOT SCALE DRAWING		SHEET 2 OF 2