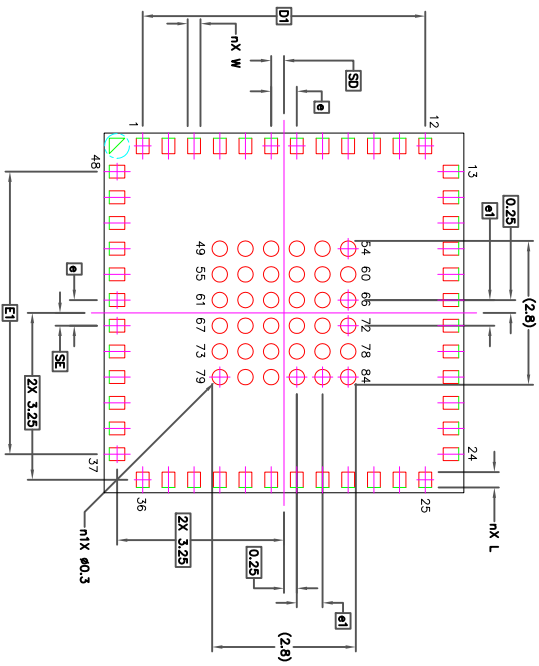
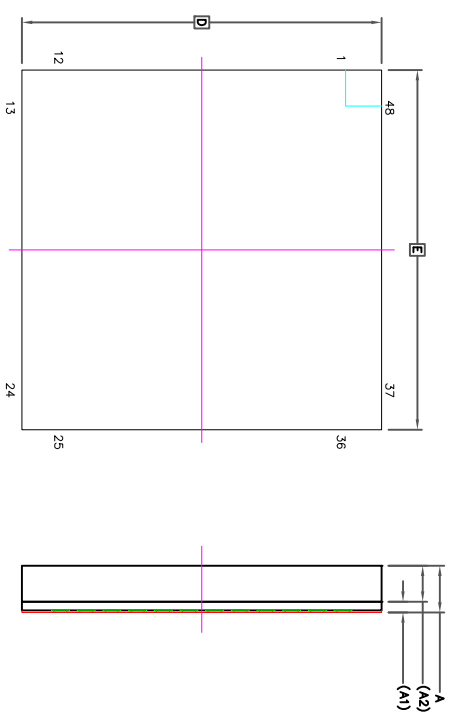


REVISIONS			DATE	APPROVED
REV	DESCRIPTION	INITIAL RELEASE		
00			5/28/14	JH



	SYMBOL	COMMON DIMENSIONS		
		MIN.	NOR.	MAX.
TOTAL THICKNESS	A	---	---	1
SUBSTRATE THICKNESS	A1		0.21	REF
MOLD THICKNESS	A2		0.7	REF
BODY SIZE	D		7	BSC
	E		7	BSC
	W		0.2	0.25
LEAD WIDTH	W		0.25	0.3
LEAD LENGTH	L		0.25	0.3
LEAD PITCH	e		0.5	BSC
LEAD COUNT	n		48	
EDGE SM (*3) OPENING CENTER TO CENTER	D1		5.5	BSC
	E1		5.5	BSC
BODY CENTER TO CONTACT SM OPENING	SD		0.25	BSC
	SE		0.25	BSC
SM OPENING			0.3	
SM OPENING PITCH	e1		0.5	BSC
SM OPENING COUNT	n1		36	
PRE-SOLDER		---	---	
PACKAGE EDGE TOLERANCE	ooo		0.1	
MOLD FLATNESS	bbb		0.2	---
COPPLANARITY	ddd		0.08	

- NOTES:
1. ALL DIMENSIONS ARE IN MILLIMETERS.
  2. DIMENSIONING AND TOLERANCING PER ASME Y14.5M 1994.
  3. SM STANDS FOR SOLDER MASK.

TOLERANCES UNLESS SPECIFIED  
 DECIMAL ANGULAR  
 XXX± ±  
 XXXXX±

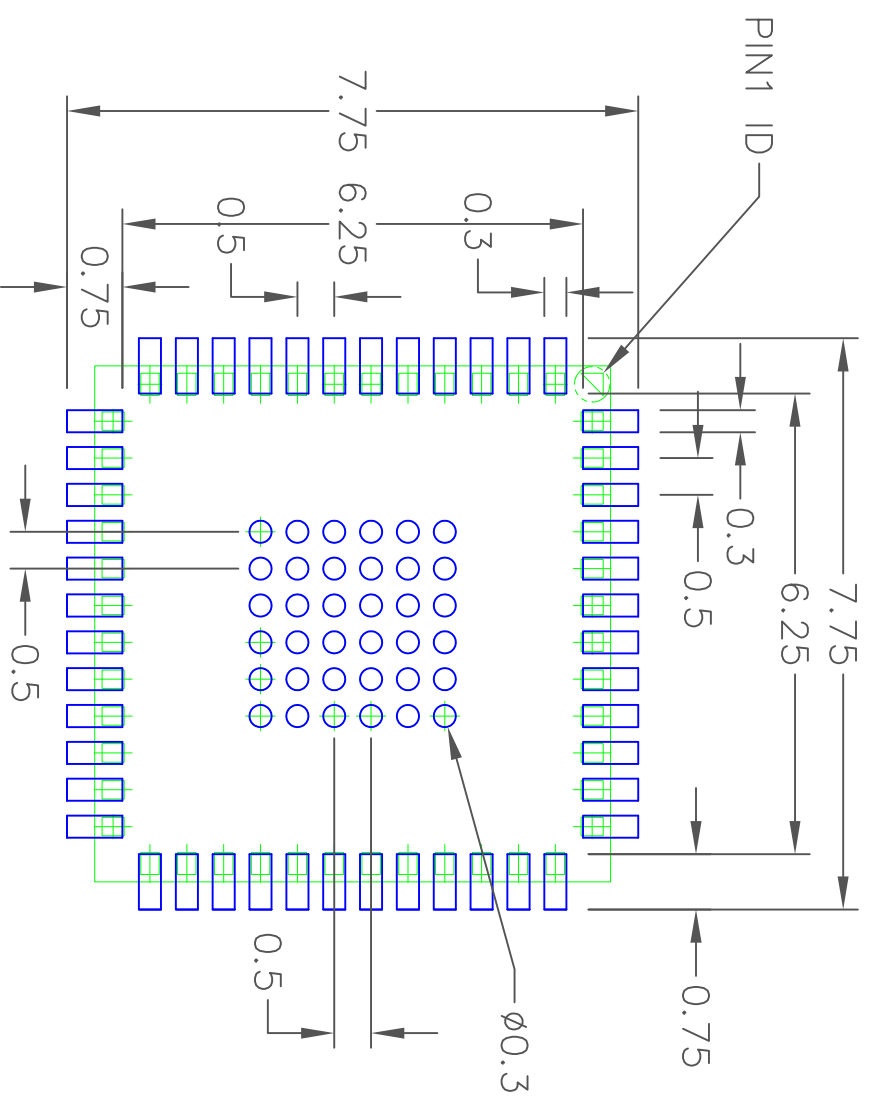
APPROVALS DATE TITLE  
 DRAWN BY 5/28/14 LGG48 PACKAGE OUTLINE  
 CHECKED 0.5 mm PITCH QFN

SIZE DRAWING No. PSC-4482  
 DO NOT SCALE DRAWING

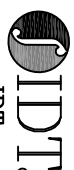
REV 00

6024 Silver Creek Valley Road  
 San Jose, CA 95138  
 PHONE: (408) 284-8200  
 WWW.IDT.COM FAX: (408) 284-8591

REVISIONS			
REV	DESCRIPTION	DATE	APPROVED
00	INITIAL RELEASE	5/28/14	JH



- NOTES:
1. ALL DIMENSION ARE IN mm. ANGLES IN DEGREES.
  2. TOP DOWN VIEW. AS VIEWED ON PCB.
  3. COMPONENT OUTLINE SHOW FOR REFERENCE IN GREEN.
  4. LAND PATTERN IN BLUE. NSMD PATTERN ASSUMED.
  5. LAND PATTERN RECOMMENDATION PER IPC-7351B GENERIC REQUIREMENT FOR SURFACE MOUNT DESIGN AND LAND PATTERN.

TOLERANCES UNLESS SPECIFIED		TITLE	
DECIMAL	ANGULAR	LGG48 PACKAGE OUTLINE	
±	±	7.0 x 7.0 mm BODY	
XXXX±		0.5 mm PITCH QFN	
APPROVALS	DATE	SIZE	DRAWING No.
DRAWN <i>JH</i>	5/28/14	C	PSC-4482
CHECKED			REV 00
 <b>IDT</b> 6024 Silver Creek Valley Road San Jose, CA 95138 PHONE: (408) 294-8200 WWW.IDT.COM FAX: (408) 284-8891		DO NOT SCALE DRAWING	
		SHEET 2 OF 2	