

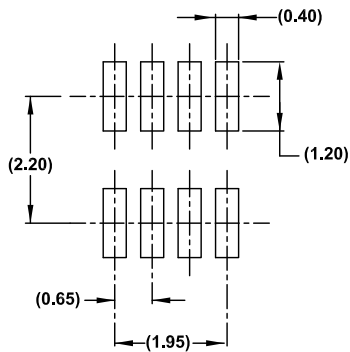
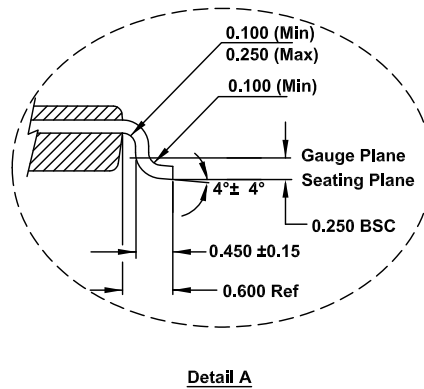
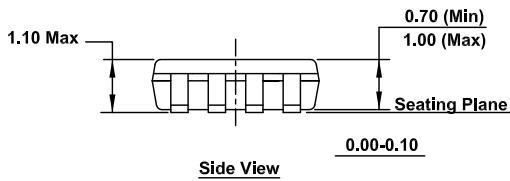
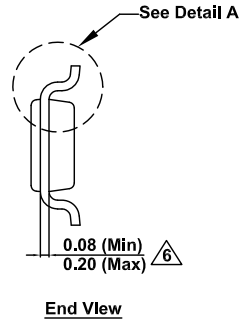
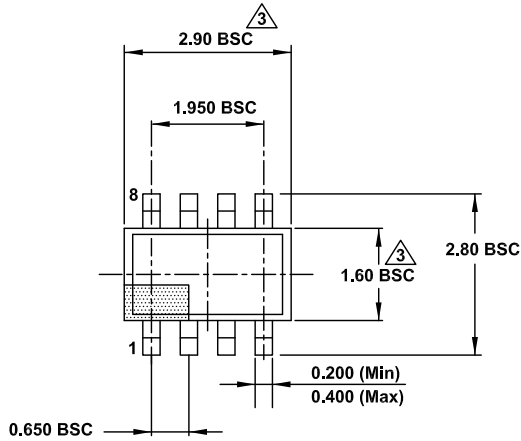
Plastic Packages for Integrated Circuits

Package Outline Drawing

P8.064A

8 Lead Thin Small Outline Transistor Plastic Package (TSOT)

Rev 0, 1/20



Notes:

1. Dimensioning and tolerancing conform to ASME Y14.5m-1994.
2. Die is facing up for mold. Die is facing down for trim/form, that is reverse trim/form.
3. Dimensions are exclusive of mold flash and gate burr.
4. The footlength measuring is based on the gauge plane method.
5. All specifications comply to JEDEC Spec MO193 Issue C.
6. Dimensions are exclusive of solder plating.