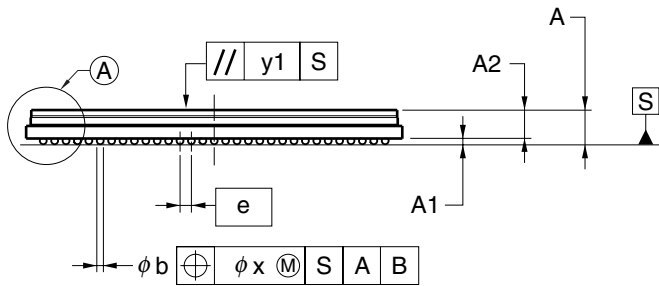
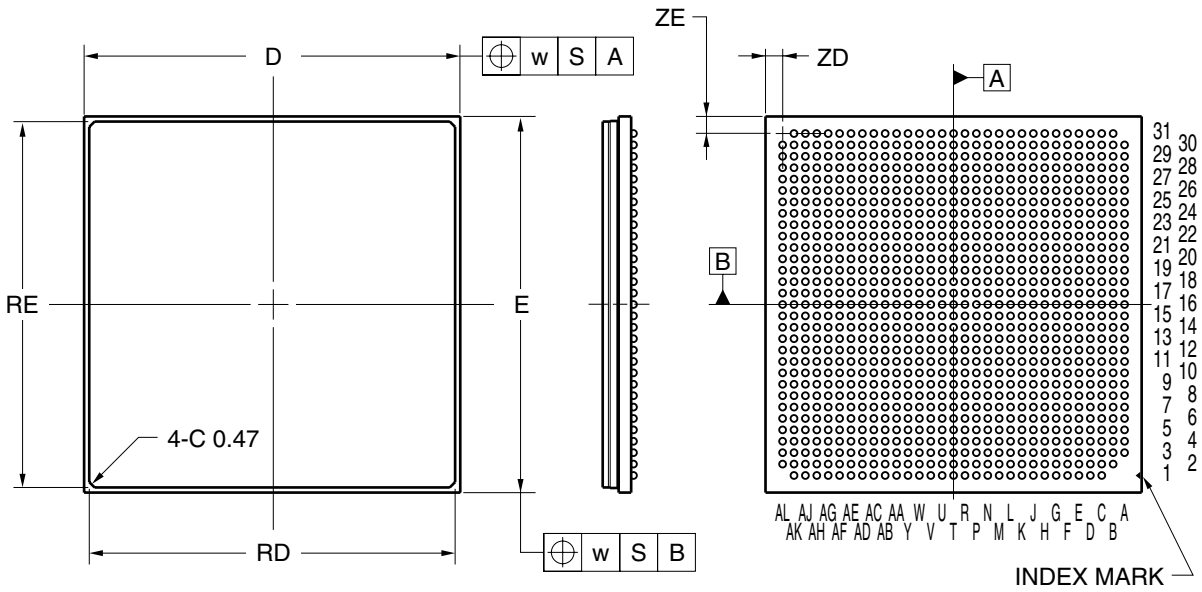
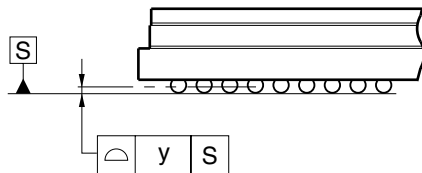


955-PIN PLASTIC BGA (FLIP CHIP TYPE) (33x33)



DETAIL OF (A) PART



ITEM	MILLIMETERS
D	33.00±0.10
RD	32.10±0.05
E	33.00±0.10
RE	32.10±0.05
w	0.15
e	1.00
A	3.13±0.40
A1	0.45±0.10
A2	2.68
b	0.65±0.10
x	0.10
y	0.15
y1	0.30
ZD	1.50
ZE	1.50

P955F5-100-QN1